



Chipsmall Limited consists of a professional team with an average of over 10 year of expertise in the distribution of electronic components. Based in Hongkong, we have already established firm and mutual-benefit business relationships with customers from,Europe,America and south Asia,supplying obsolete and hard-to-find components to meet their specific needs.

With the principle of “Quality Parts,Customers Priority,Honest Operation,and Considerate Service”,our business mainly focus on the distribution of electronic components. Line cards we deal with include Microchip,ALPS,ROHM,Xilinx,Pulse,ON,Everlight and Freescale. Main products comprise IC,Modules,Potentiometer,IC Socket,Relay,Connector.Our parts cover such applications as commercial,industrial, and automotives areas.

We are looking forward to setting up business relationship with you and hope to provide you with the best service and solution. Let us make a better world for our industry!



Contact us

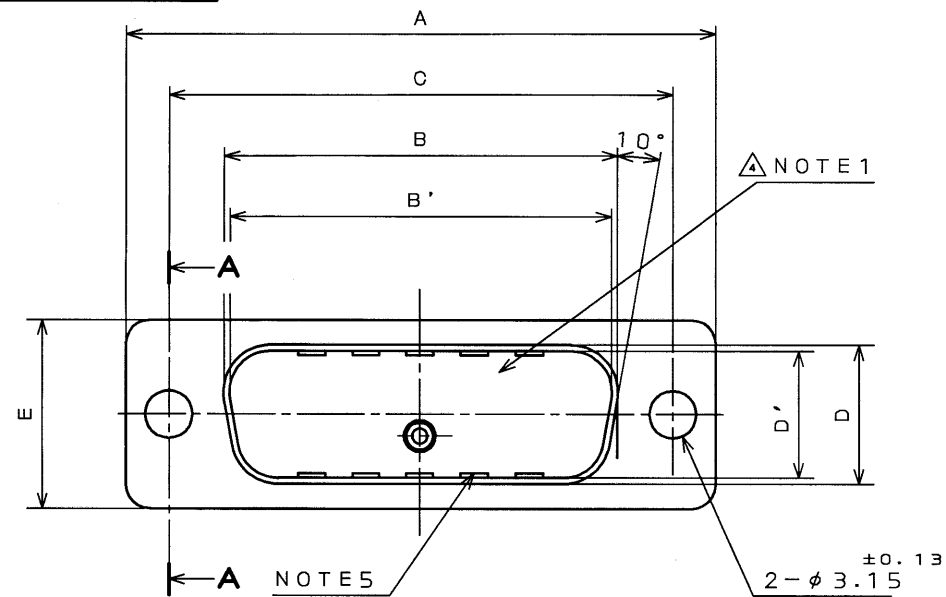
Tel: +86-755-8981 8866 Fax: +86-755-8427 6832

Email & Skype: info@chipsmall.com Web: www.chipsmall.com

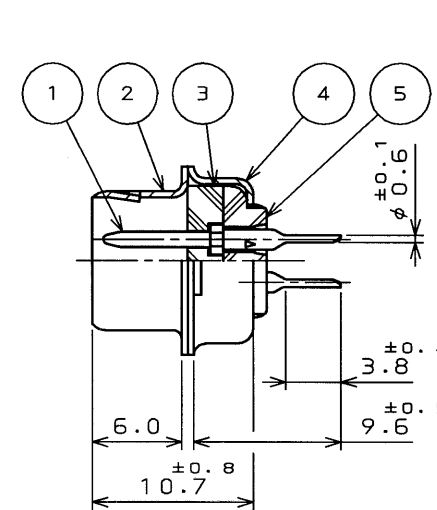
Address: A1208, Overseas Decoration Building, #122 Zhenhua RD., Futian, Shenzhen, China



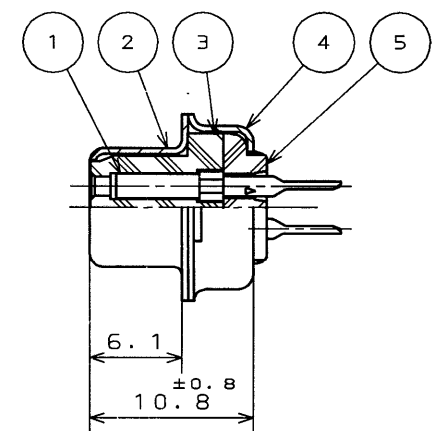
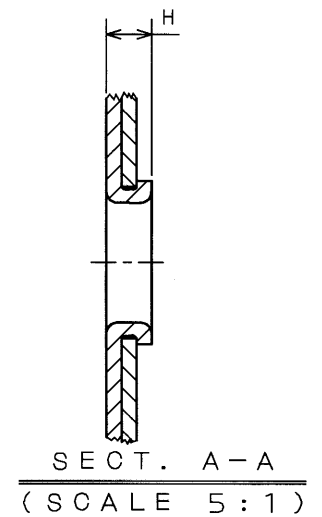
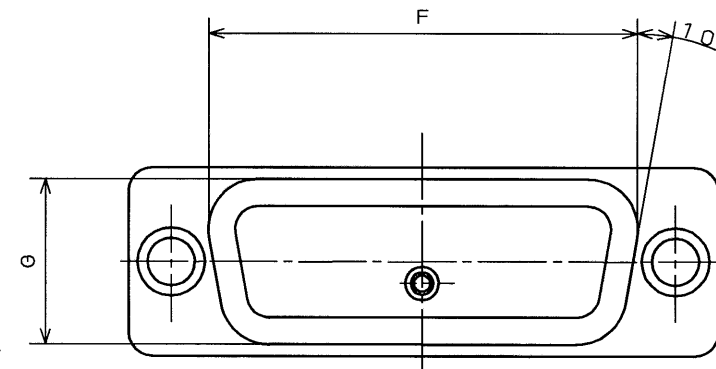
SJ018622
(ON DRAWING) 台帳図



SYM. 版数	DCN NO.	DESCRIPTION 変更内容	DATE 年月日	DRAWN 製図	CHECKED 担当	APP'D 査閲	APP'D 承認
4	39728	REDRAWN.	21.Mar.'97	S.MURAMOTO	Y.HAYASHI	—	H.SAITOU
5	41199	REVISED NOTE 1	24.Dec.'97	H.SAKURADA	—	H. Hayashi	H. Saito



PIN INSERT VERSION
ピンインサートの場合



SOCKET INSERT VERSION
ソケットインサートの場合

DESIGNATION 命名法

D * - * ※ F - T - N

SERIES シリーズ

SHELL SIZE シェルサイズ

PRESSING CONTACT プレスコンタクト

THROUGH HOLE CONTACT TYPE スルーホールタイプ

IN ACCORDANCE WITH FCC
FCC: Federal Communications Commission
FCC略号

CONTACT TYPE (S: SOCKET, P: PIN) コンタクト区分

INSERT ARRANGEMENT インサート配列

TABLE 1

PART NUMBER	DIMENSION IN MILLIMETERS									
	±0.5 A	±0.25 B	±0.25 B'	±0.13 C	±0.25 D	±0.25 D'	±0.5 E	F	G	H
DE-9PF-T-N	30.8	—	16.90	24.99	—	8.34	12.6	19.3	10.7	1.2
DE-9SF-T-N	30.8	16.26	—	24.99	7.82	—	12.6	19.3	10.7	1.2
DA-15PF-T-N	39.1	—	25.24	33.32	—	8.34	12.6	27.5	10.7	1.2
DA-15SF-T-N	39.1	24.59	—	33.32	7.82	—	12.6	27.5	10.7	1.2
DB-25PF-T-N	53.0	—	39.01	47.04	—	8.40	12.6	41.3	10.7	1.5
DB-25SF-T-N	53.0	38.30	—	47.04	7.82	—	12.6	41.3	10.7	1.2
DC-37PF-T-N	69.3	—	55.47	63.50	—	8.40	12.6	57.7	10.7	1.5
DC-37SF-T-N	69.3	54.76	—	63.50	7.82	—	12.6	57.7	10.7	1.2
DD-50PF-T-N	66.9	—	52.86	61.11	—	11.16	15.4	55.3	13.9	1.5
DD-50SF-T-N	66.9	52.34	—	61.11	10.65	—	15.4	55.3	13.9	1.2

△△NOTE1. MARK THE COMPANY NAME AND ABBREVIATED PART NUMBER AT THE LOCATION SHOWN IN THE DRAWING.

- FOR CONTACT ARRANGEMENT, SEE DWG. NO. SJ010210.
- FOR PANEL CUT-OUT DIMENSION, SEE DWG. NO. SJ013596.
- THIS DRAWING SHOWS NUMBER OF CONTACTS 25.
- IN CASE OF PIN CONNECTORS, NIBS EXIST ON FACE OF FRONT SHELL.

- 図示の位置に社名及び、品名略称を表示する。
- インサート配列はSJ010210を参照のこと。
- パネル取付穴寸法はSJ013596を参照のこと。
- 本図のコネクタは25芯の場合を示す。
- ピン側はフロントシェル面にダボが付いている。

5	REAR INSULATOR	1	PBT	—	UL94V-0
4	REAR SHELL	1	STEEL	NICKEL PLATING	—
3	FRONT INSULATOR	1	PBT	—	UL94V-0
2	FRONT SHELL	1	STEEL	NICKEL PLATING	—
1	CONTACT		COPPER ALLOY	GOLD OVER NICKEL PLATING	NOTE2
ITEM 符号	DESCRIPTION 名称	Q'TY 個数	MATERIAL 材料	FINISH 仕上	REMARKS 備考
仕様書 (REFERENCE DOCUMENT)		第1版 (DATE) 6 . Dec '83		尺度 (SCALE) 2 : 1	
公差 (GENERAL TOLERANCE)		製図 (DR.) KOMATSU		名称 (TITLE) D * - * ※ F - T - N (THROUGH HOLE TYPE) (スルーホールタイプ)	
寸法 (DIMENSION)		担当 (CHK.) TASHIRO		日本航空電子工業株式会社	
角度 (ANGLES)		査閲 (APP.) NISHINO		図面番号 (DRAWING NO.) SJ018622	
. ±1		承認 (APP.) KANEDA		シリーズ (SERIES) Dsub	
.X ±0.5				版数 (SYM.) 5	
.XX ±0.3					
.XXX ±					

DOF-0-212B(96.03)

0 10 20 30 40 50 60 70 80 90 100

SIZE A3