



Chipsmall Limited consists of a professional team with an average of over 10 year of expertise in the distribution of electronic components. Based in Hongkong, we have already established firm and mutual-benefit business relationships with customers from,Europe,America and south Asia,supplying obsolete and hard-to-find components to meet their specific needs.

With the principle of "Quality Parts,Customers Priority,Honest Operation,and Considerate Service",our business mainly focus on the distribution of electronic components. Line cards we deal with include Microchip,ALPS,ROHM,Xilinx,Pulse,ON,Everlight and Freescale. Main products comprise IC,Modules,Potentiometer,IC Socket,Relay,Connector.Our parts cover such applications as commercial,industrial, and automotives areas.

We are looking forward to setting up business relationship with you and hope to provide you with the best service and solution. Let us make a better world for our industry!



Contact us

Tel: +86-755-8981 8866 Fax: +86-755-8427 6832

Email & Skype: info@chipsmall.com Web: www.chipsmall.com

Address: A1208, Overseas Decoration Building, #122 Zhenhua RD., Futian, Shenzhen, China



Electro-magnetic door locks are the most convenient and effective way to achieve secure access control. This lock is rated at 600 pounds holding force and is supplied with a kit of fixing brackets & armature plate.

Installation

- Select door type from the following pages, use the instructions on each page
- Before you start: check off the contents list to identify the parts you will use
- Also check you have the correct tools to hand



Contents - DSL2701

Item	Qty	Description
1	1	Maglock – 600 Lbs
2	8	Screw No.8 x 1" CSK Pozi
3	2	Screw No.10 x 5/8" CSK Pozi
4	4	Screw M5 x 10mm CSK Pozi #2
5	2	Anti tamper pin
7	1	Armature plate
8	1	Armature bolt - 35mm Long
9	2	Blanking disk
10	2	Armature Insert roll pins
11	1	Sleeve nut
12	1	Sleeve nut spacer tube
13	2	Armature bolt spacing washers - steel
14	2	Armature bolt spacing washers - Rubber
15	1	Allen Key – 5mm A/F
16	1	Fitting/Drilling Template

Contents - EA320

17	1	"Z" Plate for alternative mounting – 90° Armature Mount
18	1	"Z" Plate for alternative mounting – 90° Angle plate
19	1	"L" Plate for alternative Maglock Mounting
20	1	Armature bolt - 25mm Long
21	9	M5 x 10mm CSK Pozi #2

This product is supplied with brackets & fixings for most door configurations

DEL600 Lock

Current Draw	500mA/12V DC, 250mA/24VDC
Voltage Selection	via jumper
Lock Status LED	Red (powered) / Green (secured)
Holding Force	600 Lb
Operational Temp	-20°C to 60°C
Approvals	UL864
Packed Size	300 x 190 x 100mm, 6385g
Lock Dims	250 x 47 x 27mm

Order Codes for AXS Accessories

MAG LOCKS	
DEL600	Door Lock 600 lbs with brackets
DEL1200	Door Lock 1200 lbs with brackets (incl door sensor)
DEGL1200	Gate Lock 1200 lbs with brackets
PSU	
DEPSU03	Power Supply in Wall Box, 120V, 6A/12V o/p
SWITCHES	
DEEX010	Remote Exit Switch (IR)
DEEM010	Emergency Override Switch with Siren

Select door type on following pages

FOR SINGLE HINGE DOOR ABOVE DOOR
FOR SINGLE HINGE DOOR INSIDE FRAME
FOR SLIDING DOOR

You will also need

POZI #2 AND #1 SCREWDRIVER
5MM HEX BIT DRIVER
THREAD LOCKING COMPOUND



Wiring Connections

12 V Operation

Remove the cover

Set the Jumper to 12 V

Connect +12V to terminal 1

Connect 0V to terminal 2

Replace the cover

24 V Operation

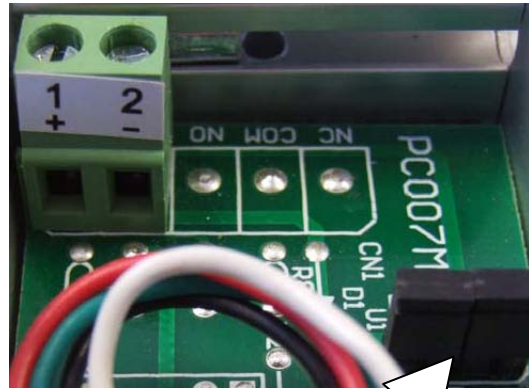
Remove the cover

Set the Jumper to 24 V

Connect +24V to terminal 1

Connect 0V to terminal 2

Replace the cover



12V DC 0.5A (Min)



24V DC 0.25A (Min)

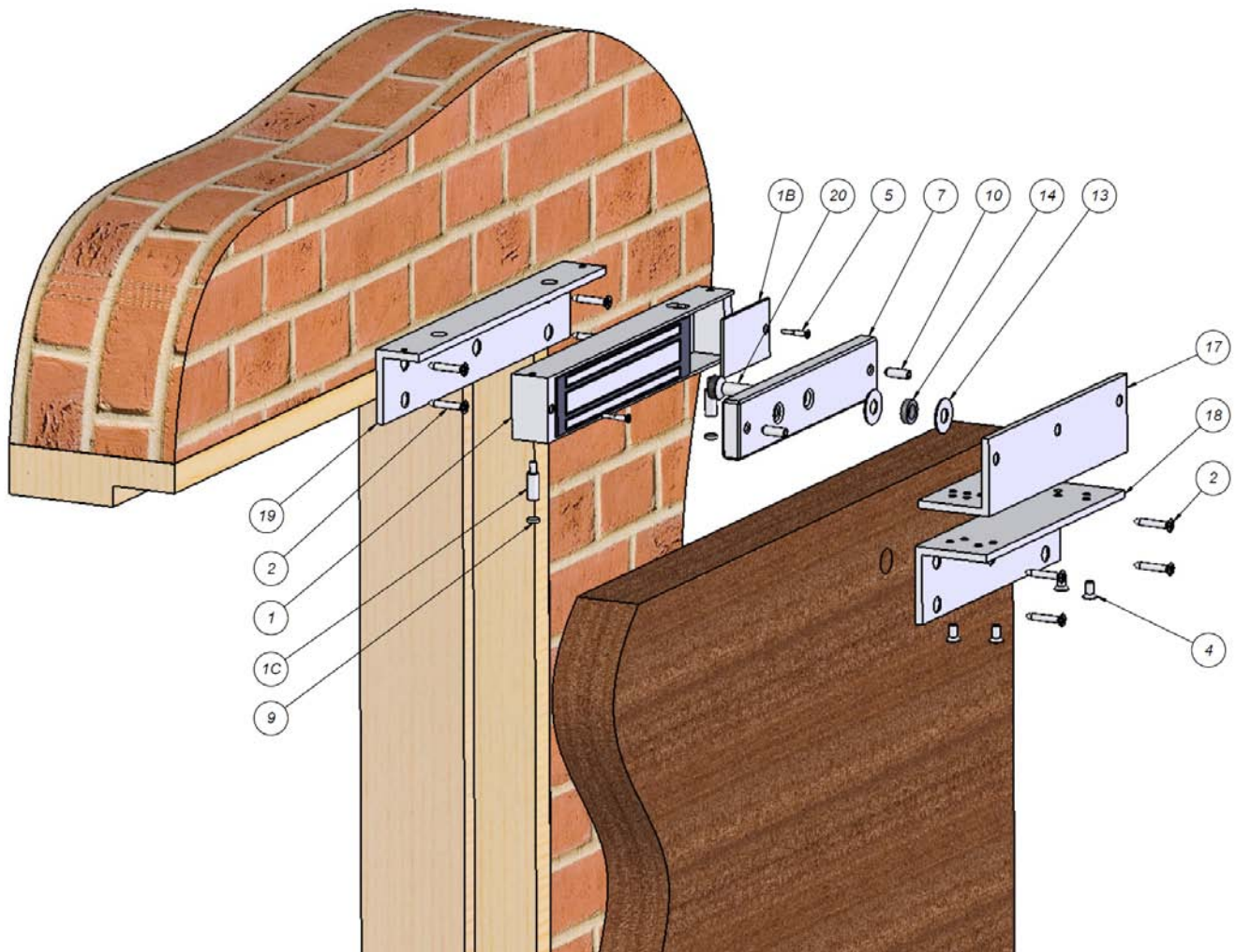
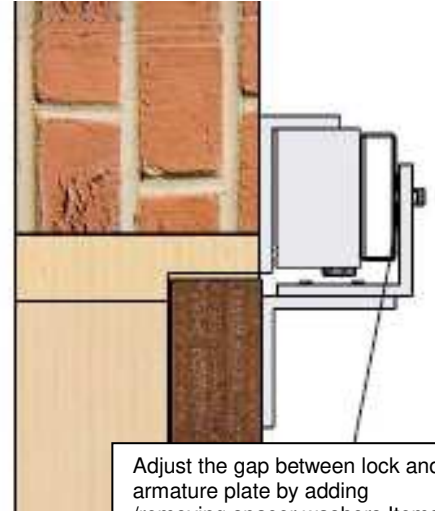


**SELECT CORRECT JUMPER SETTING
FOR VOLTAGE USED**



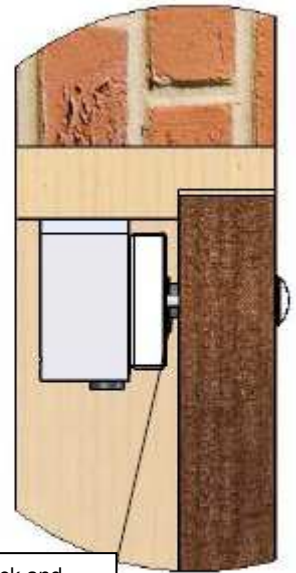
Installation Above Door

1. Check off the contents and ensure you have the tools required.
2. Use the drill template to install the L bracket Item 19 above the door.
3. Check the door still closes.
4. Fit the maglock to the L bracket using 2 Security Screws Item 1C.
5. Assemble both Z plates and the Armature plate together as shown.
6. Close the door and use the Z plate to mark the door for drilling.
7. Fit the Armature assembly to the door.
8. Check that the Armature plate and mag lock are aligned.
9. Use rubber spacer washers (or use alternate Z bracket fixing positions) to ensure that the Armature plate and Mag Lock just touch.
10. Set the jumper to correct voltage, connect wiring and test. Replace cover plate.

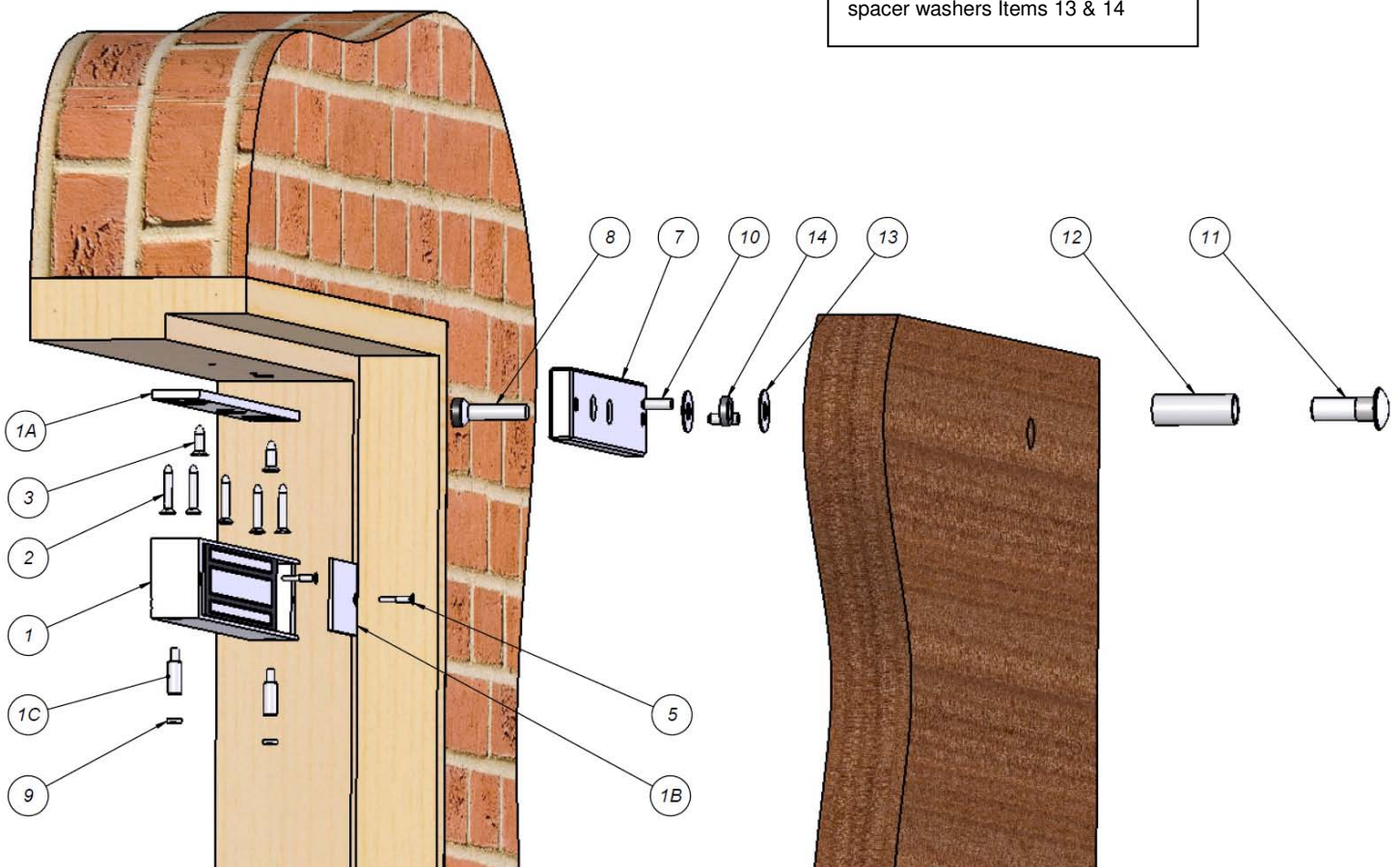


Installation Inside Frame

1. Check off the contents and ensure you have the tools required.
2. Use the drill template to install the mounting bracket Item 1A inside the door frame.
3. Drill frame for cable entry and run cable for maglock.
4. Fit the maglock to the bracket using 2 Security Screws Item 1C.
5. Close the door and use the armature to mark the door for drilling.
6. Fit the Armature to the door.
7. Make sure the Armature and mag lock are aligned.
8. Use spacer washers to get the Armature plate and Mag Lock to just touch.
9. Set the jumper to correct voltage, connect wiring and test.



Adjust the gap between lock and armature plate by adding /removing spacer washers Items 13 & 14



Installation for Sliding Door

1. Check off the contents and ensure you have the tools required.
2. Use the drill template to install the mounting bracket Item 1A to the door frame.
3. Fit the maglock to the bracket using 2 Security Screws Item 1C.
4. Close the door and use the Z plate item 17 to mark the door for drilling.
5. Fit the Z plate and Armature to the door.
6. Make sure the Armature and mag lock are aligned.
7. Use spacer washers to get the Armature plate and Mag Lock to just touch -----
8. Set the jumper to correct voltage, connect wiring and test.

