



Chipsmall Limited consists of a professional team with an average of over 10 year of expertise in the distribution of electronic components. Based in Hongkong, we have already established firm and mutual-benefit business relationships with customers from,Europe,America and south Asia,supplying obsolete and hard-to-find components to meet their specific needs.

With the principle of "Quality Parts,Customers Priority,Honest Operation,and Considerate Service",our business mainly focus on the distribution of electronic components. Line cards we deal with include Microchip,ALPS,ROHM,Xilinx,Pulse,ON,Everlight and Freescale. Main products comprise IC,Modules,Potentiometer,IC Socket,Relay,Connector.Our parts cover such applications as commercial,industrial, and automotives areas.

We are looking forward to setting up business relationship with you and hope to provide you with the best service and solution. Let us make a better world for our industry!



Contact us

Tel: +86-755-8981 8866 Fax: +86-755-8427 6832

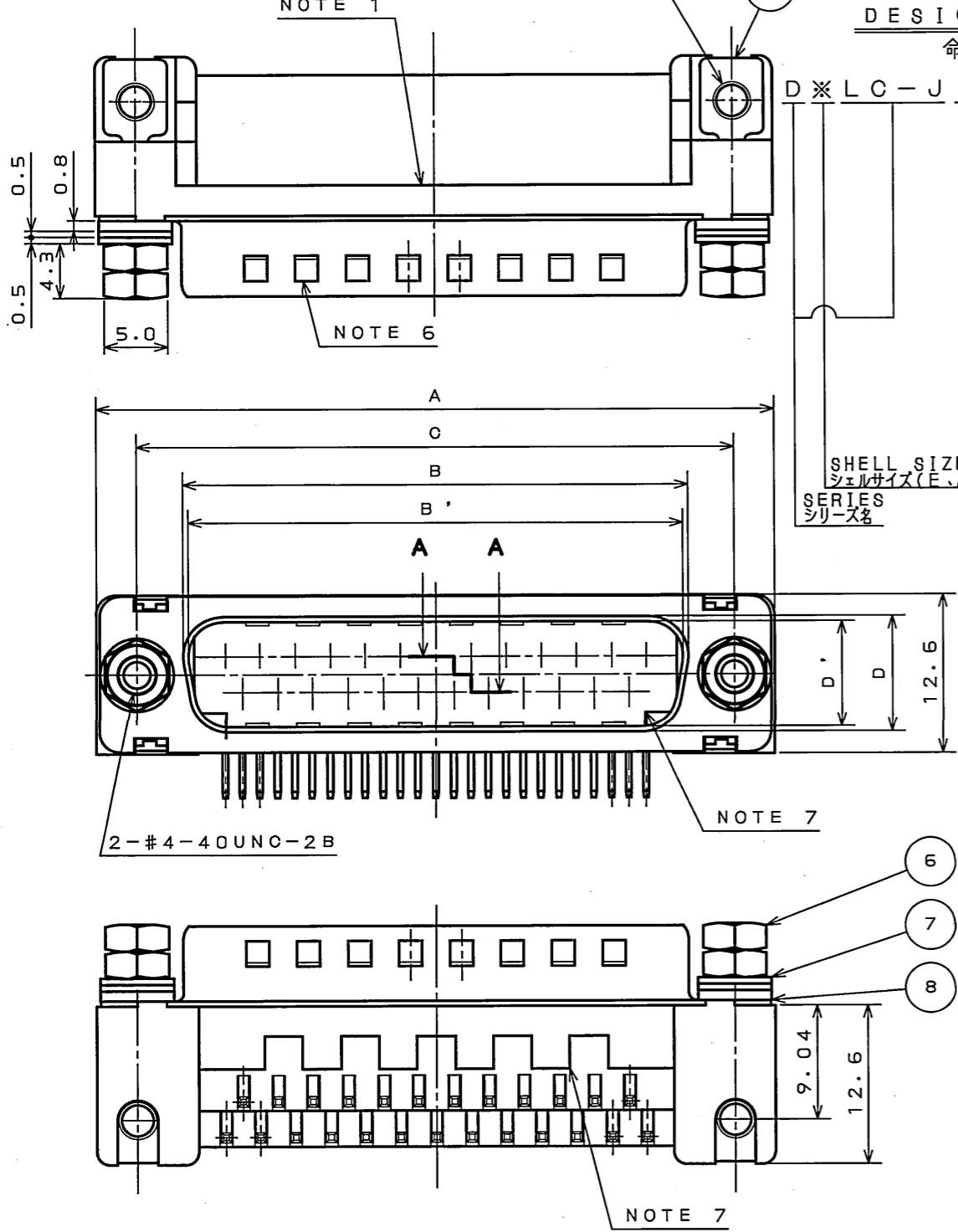
Email & Skype: info@chipsmall.com Web: www.chipsmall.com

Address: A1208, Overseas Decoration Building, #122 Zhenhua RD., Futian, Shenzhen, China



E8E8E0RS
(DRAWING NO.) 台票図

版数 REV.	年月日 DATE	DCN NO.	変更内容 DESCRIPTION	製図 DR.	担当 CHK.	査閲 APPD.	承認 APPD.
2	4.Sep.2006	060931	CHANGE SCREW.		T.NOMIYAMA	A. Tago	J. Kubota



DESIGNATION 命名法

D * LC - J * * AF - 23L6 - 3E

(LEAD FREE)TIN/TIN ALLOY
錫または錫合金(無鉛)

MODIFICATION CODE
特殊記号

FCC TYPE SHELL(NICKEL PLATING)
FCC対応品(ニッケルメッキ)

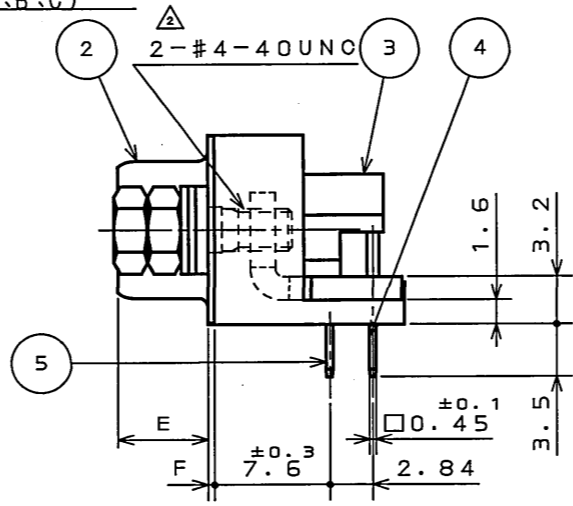
ANGLE THROUGH HOLE TYPE
アングルスルーホールタイプ

CONTACT TYPE
P:PIN S:SOCKET
コンタクト区分
P:ピンコンタクト、S:ソケットコンタクト

CONTACT ARRANGEMENT
(9, 15, 25, 37)
コンタクト配列(芯数)9、15、25、37

SHELL SIZE(E, A, B, C)
シェルサイズ(E, A, B, C)

SERIES
シリーズ名



- NOTE 1. COMPANY LOGO "JAE" & "PART NO." ARE MARKED ON FLANGE OF INSULATOR. "F-23L6-3E" IS NOT MARKED ON CONNECTOR.
2. METAL SHELL IS TENTATIVELY ASSEMBLED WITH INSERT BODY.
3. CONTACT FINISH CONTACT AREA: GOLD OVER NICKEL. TERMINAL AREA: (LEAD FREE) TIN/TIN ALLOY.
4. FOR P.C.B. CUTOUT DIMENSIONS, SEE DWG. SJ014290.
5. FOR CONTACT ARRANGEMENTS, SEE DWG. SJ010210.
6. ONLY PIN CONNECTORS HAVE NOTCHES ON SHELL.
7. THESE ARE SHAPES IMPROVING PRODUCTIVITY AND THE SHAPES ARE FOR REFERENCE ONLY.
8. WHEN THE PANEL IS USED, ADJUST THE FLAT WASHERS, CONSIDERING THE PANEL THICKNESS. (SEE TABLE 2.)

- 注 1. 図示の位置(インシュレータのフランジ面)に「社名」及び「品名」を表示する。但し、「F-23L6-3E」は表示しない。
2. 嵌合固定ネジは完全に締め付けてある。
3. 嵌合部はニッケル上金メッキ、スルーホール部は錫または錫合金(無鉛)メッキである。
4. 基板取付寸法についてはSJ014290を参照のこと。
5. コンタクト配列についてはSJ010210を参照のこと。
6. ピン側については、シェル面にディンプルがある。
7. ひけ逃げ形状は参考形状である。
8. パネルを使用する時は、パネル厚に合わせて平座金を調整して下さい。(表2参照)

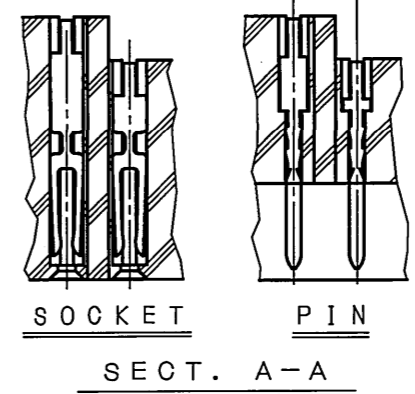


TABLE 2

PANEL THICKNESS	FLAT WASHER (ONE SIDE)	
	⑦ t=0.5	⑧ t=0.8
NONE	2	1
0.5~0.7mm	1	1
0.8~1.0mm	2	0
1.2~1.6mm	1	0
1.8~2.0mm	0	0

TABLE 1

PART NO.	±1	±0.25	±0.25	±0.13	±0.25	±0.25	±0.3	±0.1	CONTACT	
	A	B	B'	C	D	D'	E	F	#1	#2
DELC-J 9PAF-23L6-3E	30.8	—	16.90	24.99	—	8.34	6.0	0.4	4	5
DELC-J 9SAF-23L6-3E	30.8	16.26	—	24.99	7.82	—	6.1	0.4	4	5
DALC-J 15PAF-23L6-3E	39.1	—	25.24	33.32	—	8.34	6.0	0.4	7	8
DALC-J 15SAF-23L6-3E	39.1	24.59	—	33.32	7.82	—	6.1	0.4	7	8
DBLC-J 25PAF-23L6-3E	53.0	—	39.01	47.04	—	8.40	6.0	0.6	12	13
DBLC-J 25SAF-23L6-3E	53.0	38.30	—	47.04	7.82	—	6.1	0.4	12	13
DCLC-J 37PAF-23L6-3E	69.3	—	55.47	63.50	—	8.40	6.0	0.6	18	19
DCLC-J 37SAF-23L6-3E	69.3	54.76	—	63.50	7.82	—	6.1	0.4	18	19

符号 NO.	名称 DESCRIPTION	個数 QTY.	材料 MATERIAL	仕上 FINISH	備考 REMARKS
8	FLAT WASHER	2	STEEL	NICKEL PLATING	t=0.8 (NOTE 8)
7	FLAT WASHER	4	STEEL	NICKEL PLATING	t=0.5 (NOTE 8)
6	SCREW LOCK	2	STEEL	NICKEL PLATING	
5	CONTACT #1	TABLE	COPPER ALLOY	NOTE 3	CONTACT AREA: Au0.1μm MIN
4	CONTACT #2	TABLE	COPPER ALLOY	NOTE 3	CONTACT AREA: Au0.1μm MIN
3	INSULATOR	1	SYNTHETIC RESIN	(COLOR: BLACK)	UL94V-0
2	SHELL	1	STEEL	NICKEL PLATING	
1	EARTH LUG	2	STEEL	NICKEL PLATING	

仕様書 (SPECIFICATION) JACS-1045-7

第1版 (ORIGINAL DATE) 3.Mar.2003

製図 DR. S.MIURA

担当 CHK. Y.TAKAGI

査閲 APPD.

承認 APPD. Y.KUBOTA

尺度 (SCALE) 2:1

シリーズ (SERIES) D-sub

名称 (TITLE) D * LC - J * * AF - 23L6 - 3E

質量 (MASS)

日本航空電子工業株式会社 JAPAN AVIATION ELECTRONICS INDUSTRY, LTD.

図面番号 (DRAWING NO.) SJ038383

DOF-0-212F(05.08)

