



Chipsmall Limited consists of a professional team with an average of over 10 year of expertise in the distribution of electronic components. Based in Hongkong, we have already established firm and mutual-benefit business relationships with customers from,Europe,America and south Asia,supplying obsolete and hard-to-find components to meet their specific needs.

With the principle of “Quality Parts,Customers Priority,Honest Operation,and Considerate Service”,our business mainly focus on the distribution of electronic components. Line cards we deal with include Microchip,ALPS,ROHM,Xilinx,Pulse,ON,Everlight and Freescale. Main products comprise IC,Modules,Potentiometer,IC Socket,Relay,Connector.Our parts cover such applications as commercial,industrial, and automotives areas.

We are looking forward to setting up business relationship with you and hope to provide you with the best service and solution. Let us make a better world for our industry!



## Contact us

Tel: +86-755-8981 8866 Fax: +86-755-8427 6832

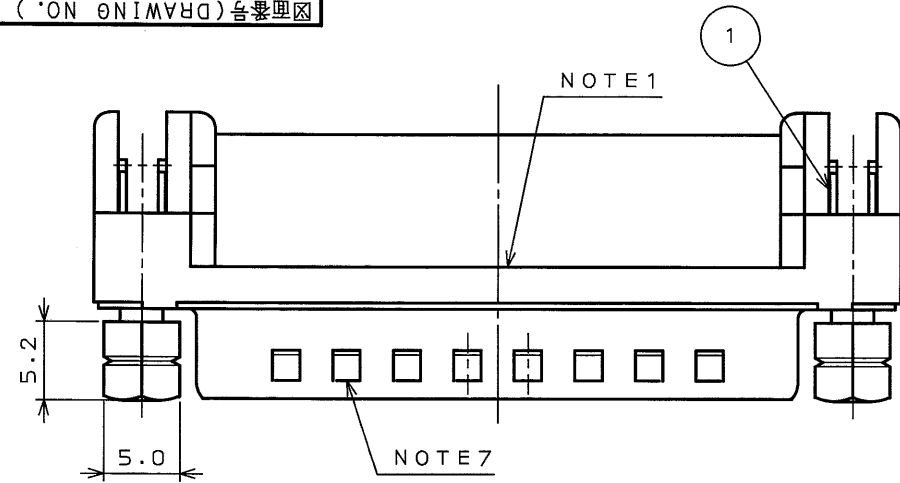
Email & Skype: info@chipsmall.com Web: www.chipsmall.com

Address: A1208, Overseas Decoration Building, #122 Zhenhua RD., Futian, Shenzhen, China



SJ038343  
(DRAWING NO.) 台架図

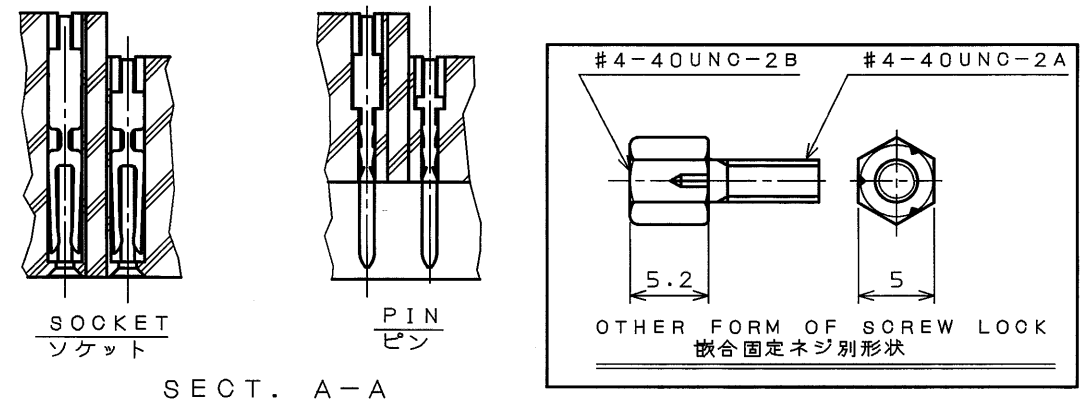
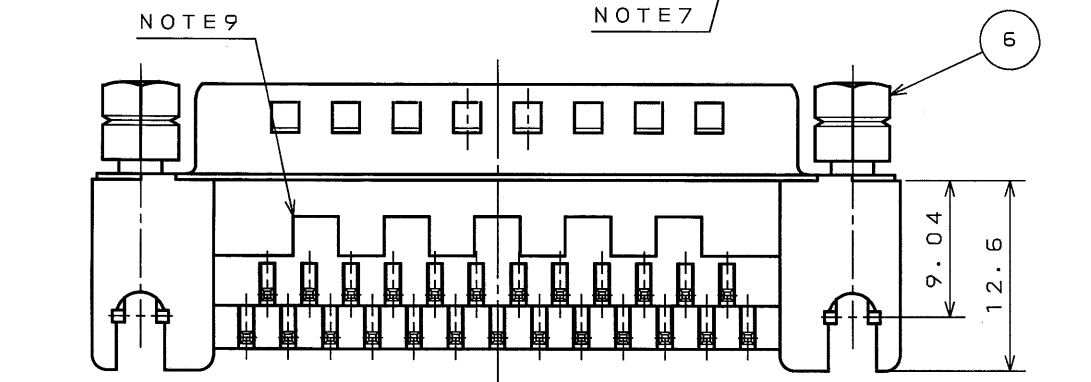
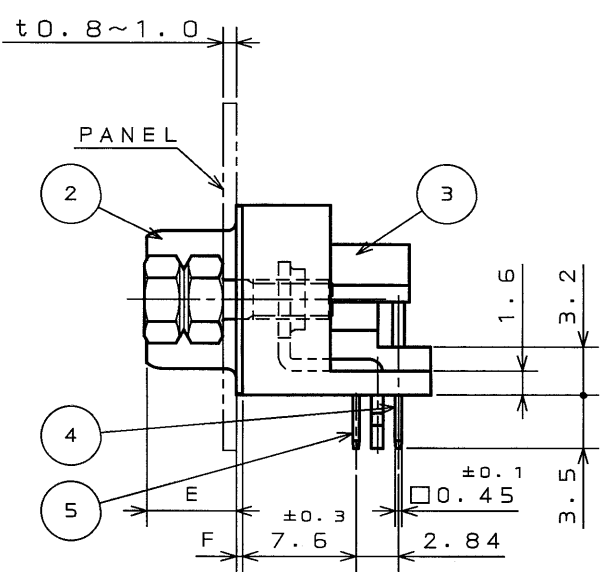
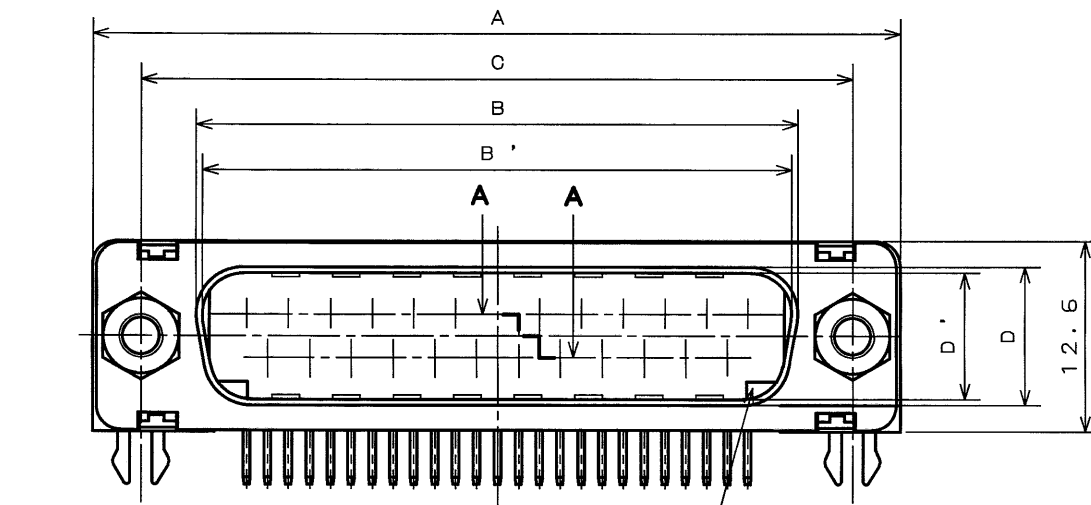
版数 SYM.	年月日 DATE	DCN NO.	変更内容 DESCRIPTION	製図 DR.	担当 CHK.	査閲 APP.	承認 APP.



DESIGNATION  
命名法

D※LC-J※AF-20L9E  
(LEAD FREE) TIN/TIN ALLOY  
錫または錫合金(無鉛)  
MODIFICATION  
特殊記号  
CONTACT TYPE P:PIN CONTACT S:SOCKET CONTACT  
コンタクト区分 P:ピンコンタクト S:ソケットコンタクト  
CONTACT ARRANGEMENT(No.CONTACTS:9,15,25,37)  
コンタクト配列(芯数:9, 15, 25, 37)  
SHELL SIZE(E,A,B,C)  
シェルサイズ(E, A, B, C)  
SERIES  
シリーズ名

NOTE1.COMPANY LOGO "JAE" & "PART NO." ARE MARKED ON FLANGE OF INSULATOR.  
"F-20L9E" IS NOT MARKED ON CONNECTOR.  
2.METAL SHELL IS TENTATIVELY ASSEMBLED WITH INSERT BODY AND SHOULD BE FIXED WITH SCREW LOCKS FOR ACTUAL USE.  
3.APPLICABLE P.C.B. IS 1.6±0.2mm THICK.  
4.CONTACT FINISH CONTACT AREA : GOLD OVER NICKEL(Au:0.1μmMIN.)  
TERMINAL AREA : (LEAD FREE)TIN/TIN ALLOY  
5.FOR P.C.B. CUTOUT DIMENSIONS,SEE DWG.SJ014290.  
6.FOR CONTACT ARRANGEMENTS,SEE DWG.SJ010210.  
7.ONLY PIN CONNECTORS HAVE PROJECTIONS ON SHELL.  
8.SCREW LOCKS ARE TENTATIVELY FIXED.  
9.THESE ARE SHAPES IMPROVING PRODUCTIVITY AND THE SHAPES ARE FOR REFERENCE ONLY.



SECT. A-A

TABLE. 1

PART NO.	±1 A	±0.25 B	±0.25 B'	±0.13 C	±0.25 D	±0.25 D'	±0.5 E	±0.1 F	CONTACT Q'TY コンタクト構成	
									#1	#2
DELC-J9PAF-20L9E	30.8	—	16.90	24.99	—	8.34	6.0	0.4	4	5
DELC-J9SAF-20L9E	30.8	16.26	—	24.99	7.82	—	6.1	0.4	4	5
DALC-J15PAF-20L9E	39.1	—	25.24	33.32	—	8.34	6.0	0.4	7	8
DALC-J15SAF-20L9E	39.1	24.59	—	33.32	7.82	—	6.1	0.4	7	8
DBLC-J25PAF-20L9E	53.0	—	39.01	47.04	—	8.40	6.0	0.6	12	13
DBLC-J25SAF-20L9E	53.0	38.30	—	47.04	7.82	—	6.1	0.4	12	13
DCLC-J37PAF-20L9E	69.3	—	55.47	63.50	—	8.40	6.0	0.6	18	19
DCLC-J37SAF-20L9E	69.3	54.76	—	63.50	7.82	—	6.1	0.4	18	19

6	SCREW LOCK	2	STEEL	NICKEL PLATING	#4-40UNC
5	CONTACT #1	SEE TABLE1	COPPER ALLOY	NOTE4	
4	CONTACT #2	SEE TABLE1	COPPER ALLOY	NOTE4	
3	INSULATOR	1	PBT		UL94 V-0
2	SHELL	1	STEEL	NICKEL PLATING	
1	EARTH LUG	2	COPPER ALLOY	(LEAD FREE)TIN/TIN ALLOY	
符号 ITEM	名称 DESCRIPTION	個数 Q'TY	材料 MATERIAL	仕上 FINISH	備考 REMARKS
仕様書(REFERENCE DOCUMENT)		第1版(DATE) 3.Mar.2003		JAE CONNCTOR.COM 2:1 D-sub 日本航空電子工業株式会社	
製図 DR.		S.MIURA		名称(TITLE) D※LC-J※AF -20L9E	
公差(GENERAL TOLERANCE)		担当 CHK. Y.TAKA01		JAE ELECTRONICS INDUSTRY, LTD.	
寸法(DIMENSION)		査閲 APP.		図面番号(DRAWING NO.) SJ038343	
角度(ANGLES)		承認 APP. J. Shibata		重量(WEIGHT)	
±	° ±				
.X ±0.5	°X ±				
.XX ±0.25					
.XXX ±					

LEAD FREE この製品は鉛フリー品です

本図面は日本航空電子工業(株)の所有する情報を含むもので当社の許可なく複製を禁止する。  
THIS DRAWING CONTAINS INFORMATION THAT IS PROPRIETARY TO JAE AND SHOULD NOT BE USED WITHOUT WRITTEN PERMISSION.

JAE Connector Div. Proprietary. Copyright © 2003 Japan Aviation Electronics Industry Ltd. DOF 0-0-2120(97.10)

88005-691-EO-1SDS MAZIS 版数 (SYM.) 1