



Chipsmall Limited consists of a professional team with an average of over 10 year of expertise in the distribution of electronic components. Based in Hongkong, we have already established firm and mutual-benefit business relationships with customers from,Europe,America and south Asia,supplying obsolete and hard-to-find components to meet their specific needs.

With the principle of “Quality Parts,Customers Priority,Honest Operation,and Considerate Service”,our business mainly focus on the distribution of electronic components. Line cards we deal with include Microchip,ALPS,ROHM,Xilinx,Pulse,ON,Everlight and Freescale. Main products comprise IC,Modules,Potentiometer,IC Socket,Relay,Connector.Our parts cover such applications as commercial,industrial, and automotives areas.

We are looking forward to setting up business relationship with you and hope to provide you with the best service and solution. Let us make a better world for our industry!



Contact us

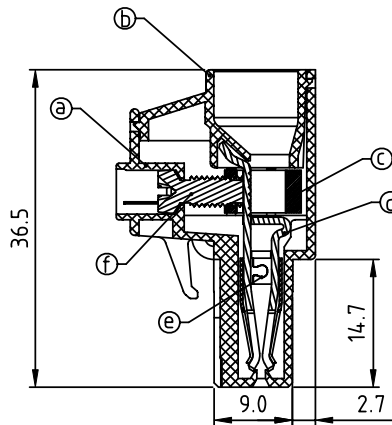
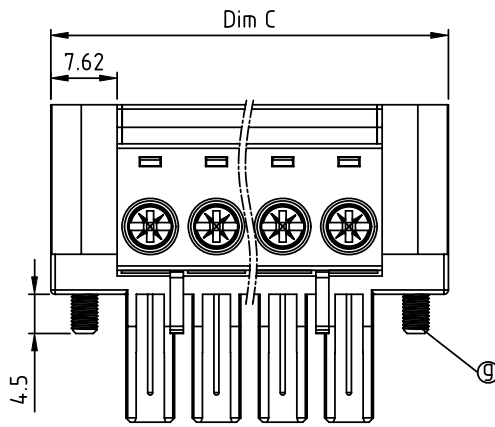
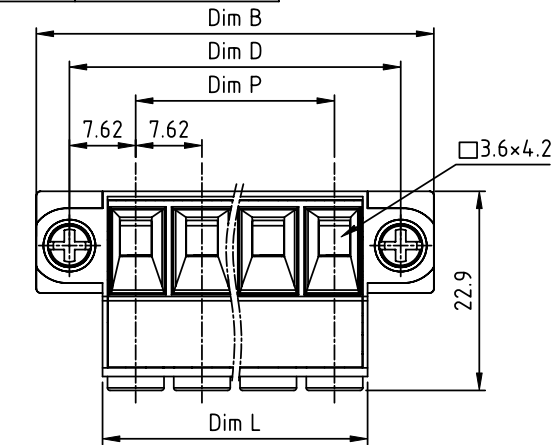
Tel: +86-755-8981 8866 Fax: +86-755-8427 6832

Email & Skype: info@chipsmall.com Web: www.chipsmall.com

Address: A1208, Overseas Decoration Building, #122 Zhenhua RD., Futian, Shenzhen, China



PRODUCT NUMBER	PITCH
ETxx02x200J0G	7.62 mm



Material:

- Item Ⓐ Terminal(housing): Thermoplastic (UL94V-0)
- Item Ⓑ Terminal(cover): Thermoplastic (UL94V-0)
- Item Ⓒ Clamp: Brass Ni plated
- Item Ⓓ Female contact : Copper. Tin plated
- Item Ⓔ Wire guard: Stainless steel
- Item Ⓕ Terminal Screw: Steel , zinc plating " * " slot type
- Item Ⓖ With flange Screw: Steel Zinc plating M3"+/-" slot type

Electrical:

- | | | |
|--------------------------|-----------------|----------------------|
| ● Voltage rating: | cULus 300V/600V | TUV 800V |
| ● Current rating: | 32A/41A | 32A |
| ● Wire range: | | 0.2-6mm ² |
| ● Solid wire(AWG): | 8-24 | |
| ● Stranded wire(AWG): | 8-24 | |
| ● Torque: | 7 LB-In | 0.8N.m |
| ● Screw: | M3.5 | |
| ● Wire strip length: | 10-11 mm | |
| ● Withstanding Voltage: | 1.6KV | 6KV |
| ● Operating temperature: | -40°C to +115°C | |
| ● Safety Approval: | cULus | TUV |

N = Number of poles
 Dim L=Nx7.62
 Dim P=(N-1)x7.62
 Dim B=(N-1)x7.62+22.86
 Dim C=(N+2)x7.62
 Dim D=(N-1)x7.62+15.24

PART NO.: ET xx 02 x 2 00J0 G

Solid block	0	Color	Black (RAL9005)	RoHS compliant
No. of poles	2		Red (RAL3001/D)	(lead<4%)
02	2 poles	3	Orange(RAL2011/P)	In copper Alloy
03	3 poles	4	Yellow(RAL1018/A)	
...	...	5	Green(RAL6018/T)	
16	16 poles	6	Blue (RAL5015/A)	
		8	Grey(RAL7035/D)	
		9	White(RAL1102)	
		C	Green(RAL6018/U)	

poles	Tolerance
2-4p	±0.15
5-8p	±0.20
9-12p	±0.30
13-16p	±0.40

mat'l. code		surface ASME Y14.5	tolerance ASME Y14.5	projection	product family TERMINAL BLOCK
ltr	ecn no	dr	date	tolerances unless otherwise specified	title
				angles X±1°	TERMINAL BLOCK
				scale	PLUGGABLE PLUG, WITH FLANGE
		dr	EVIN ZHONG	041814	dwg no
		enrg	EVIN ZHONG	041814	sheet 1 of 1
		chr	HANKE FENG	041814	size
		appd	SHI JUN	041814	A4
sheet index	revision	A			type
	sheet	1			CUSTOMER Drawing