



Chipsmall Limited consists of a professional team with an average of over 10 year of expertise in the distribution of electronic components. Based in Hongkong, we have already established firm and mutual-benefit business relationships with customers from,Europe,America and south Asia,supplying obsolete and hard-to-find components to meet their specific needs.

With the principle of “Quality Parts,Customers Priority,Honest Operation,and Considerate Service”,our business mainly focus on the distribution of electronic components. Line cards we deal with include Microchip,ALPS,ROHM,Xilinx,Pulse,ON,Everlight and Freescale. Main products comprise IC,Modules,Potentiometer,IC Socket,Relay,Connector.Our parts cover such applications as commercial,industrial, and automotives areas.

We are looking forward to setting up business relationship with you and hope to provide you with the best service and solution. Let us make a better world for our industry!



## Contact us

Tel: +86-755-8981 8866 Fax: +86-755-8427 6832

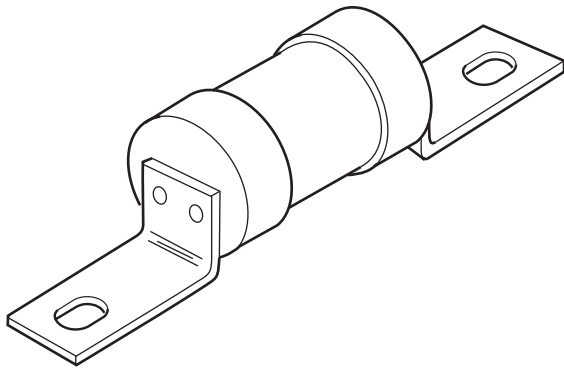
Email & Skype: info@chipsmall.com Web: www.chipsmall.com

Address: A1208, Overseas Decoration Building, #122 Zhenhua RD., Futian, Shenzhen, China



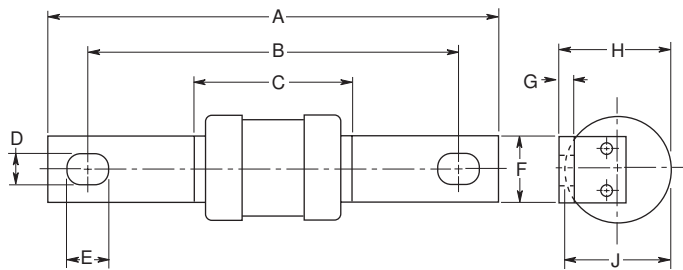
# Industrial HRC Fuse Link

31 x 112mm, BS88, IEC 269-1  
Offset Bolted Tags

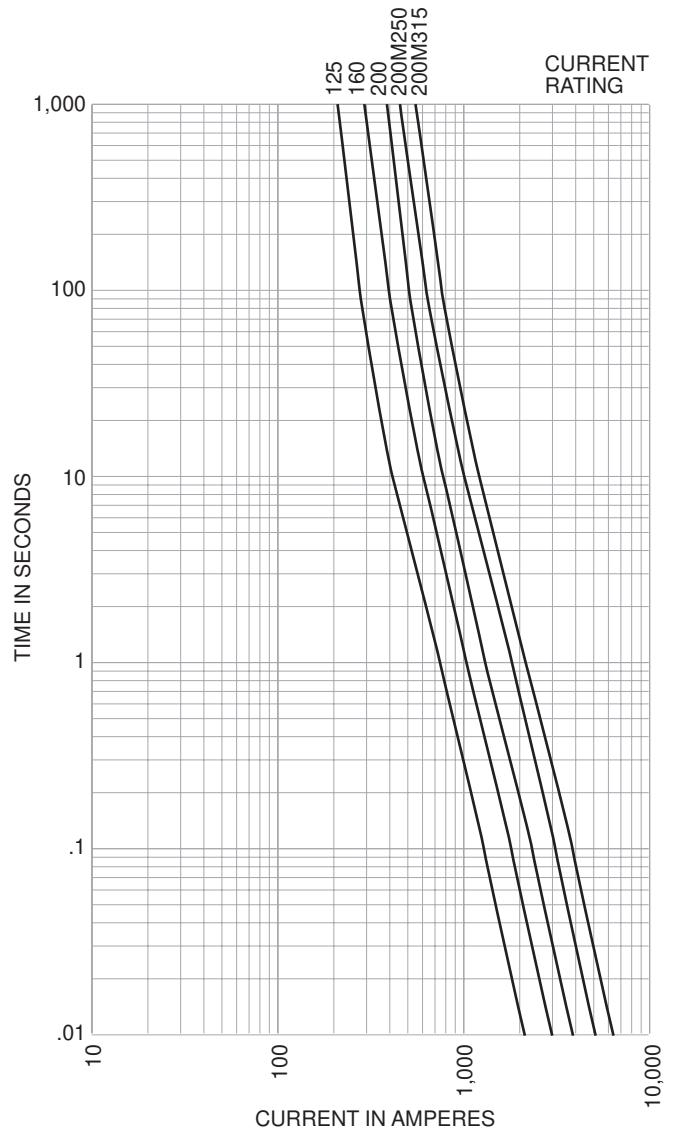


CATALOG SYMBOL: DEO  
INDUSTRIAL HRC FUSE  
OFFSET BOLTED TAGS  
PACKAGE QUANTITY: 5  
80kA INTERRUPTING RATING  
MOUNTS ON BH-0111 MODULAR FUSEBLOCK

**Dimensional Data:**



Time-Current Characteristic Curve (Full Size Curves Available)



**Electrical Characteristics**

Catalog Number	Ampere Rating	I <sup>2</sup> T (Amp <sup>2</sup> Seconds)			Nom Watts Loss	Rated Voltage	Dimensions (Inches/mm)								
		Pre-Arcing	Total At 240V	Total At 415V			A	B	C	D	E	F	G	H	J
DEO125	125	29,500	50,000	71,000	11	415AC	110.0	93.7	47.0	9.0	10.0	19.0	0.13 3.2	31.0	29.5
DEO160	160	57,000	97,000	135,000	13										
DEO200	200	120,000	205,000	290,000	14										
DEO200M250	200M250	200,000	340,000	480,000	18										
DEO200M315	200M315	265,000	45,000	635,000	22										

The only controlled copy of this BIF document is the electronic read-only version located on the Bussmann Network Drive. All other copies of this BIF document are by definition uncontrolled. This bulletin is intended to clearly present comprehensive product data and provide technical information that will help the end user with design applications. Bussmann reserves the right, without notice, to change design or construction of any products and to discontinue or limit distribution of any products. Bussmann also reserves the right to change or update, without notice, any technical information contained in this bulletin. Once a product has been selected, it should be tested by the user in all possible applications.