



Chipsmall Limited consists of a professional team with an average of over 10 year of expertise in the distribution of electronic components. Based in Hongkong, we have already established firm and mutual-benefit business relationships with customers from,Europe,America and south Asia,supplying obsolete and hard-to-find components to meet their specific needs.

With the principle of “Quality Parts,Customers Priority,Honest Operation,and Considerate Service”,our business mainly focus on the distribution of electronic components. Line cards we deal with include Microchip,ALPS,ROHM,Xilinx,Pulse,ON,Everlight and Freescale. Main products comprise IC,Modules,Potentiometer,IC Socket,Relay,Connector.Our parts cover such applications as commercial,industrial, and automotives areas.

We are looking forward to setting up business relationship with you and hope to provide you with the best service and solution. Let us make a better world for our industry!



Contact us

Tel: +86-755-8981 8866 Fax: +86-755-8427 6832

Email & Skype: info@chipsmall.com Web: www.chipsmall.com

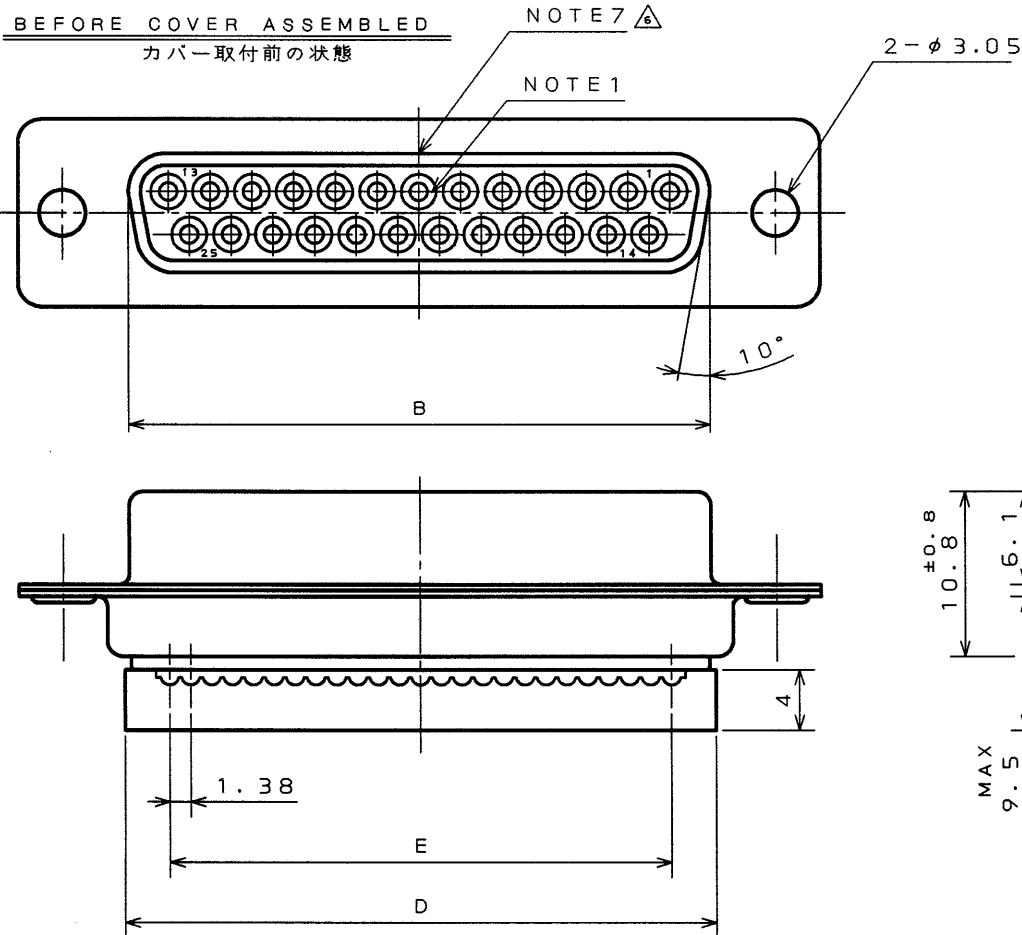
Address: A1208, Overseas Decoration Building, #122 Zhenhua RD., Futian, Shenzhen, China



960810RS

('ON 0NIMVHD) 台票理図

版数 REV.	年月日 DATE	DCN NO.	変更内容 DESCRIPTION	製図 DR.	担当 CHK.	査閲 APPD.	承認 APPD.
6	22.Jun.2000	46362	ADDED NOTE 7, REDRAWN		Y.SATOU	<i>[Signature]</i>	<i>[Signature]</i>



LOT NUMBERING

ロット番号付与方法

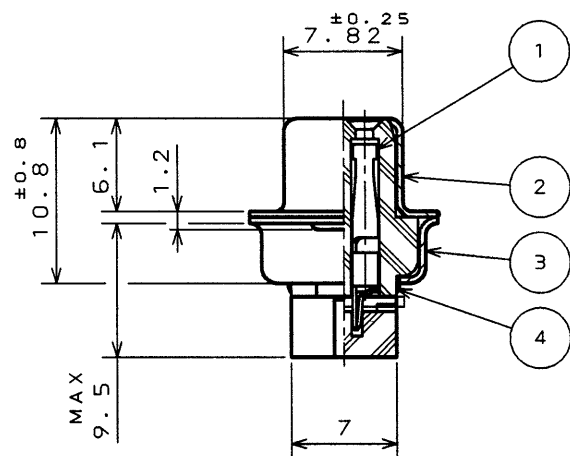
J 5 9 1

MONTHLY LOT NO. (1,2,3...9,0,A,B...EXCEPT 1 AND 0)
月のロット番号 (1,2,3...9,0,A,B...但し、1と0は除く)

PRODUCTION MONTH (JAN=1, FEB=2...OCT=0, NOV=X, DEC=Y)
生産月 (1月=1, 2月=2...10月=0, 11月=X, 12月=Y)

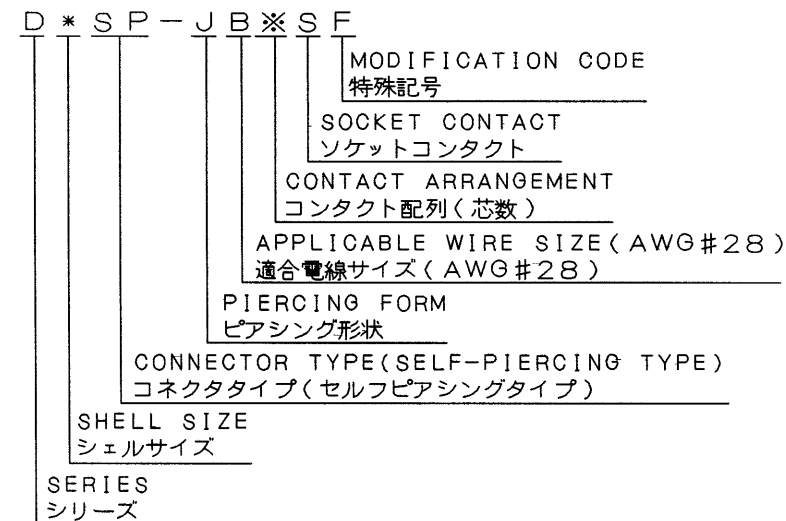
YEAR (1995)
西暦年 (1995)

INDICATION OF ASSEMBLY SETION
組立部門識別表示



DESIGNATION

命名法



NOTE1. MARK THE COMPANY NAME AND ABBREVIATED PART NUMBER AT THE LOCATION SHOWN IN THE DRAWING.

2. FOR PANEL CUT-OUT DIMENSION, SEE DWG. NO. SJ013596.

3. FOR PANEL MOUNTING DIMENSION, SEE DWG. NO. SJ013597.

4. THE COVER IS SUPPLIED WITH CONNECTORS, BUT THAT IS NOT PUT TOGETHER ON CONNECTORS.

5. CONNECTORS CAN BE EQUIPPED WITH AN EXCLUSIVE STRAIN-RELIEF. (REFERENCE DWG. NO. SJ015650)

6. THIS DRAWING SHOWS NUMBER CONTACTS 25. (FOR CONTACT ARRANGEMENT, SEE DWG. NO. SJ010210.)

7. PRODUCTION LOT NUMBER IS ENGRAVED AS INDICATED.

注1. 図示の位置に社名及び、品名略称を表示する。

2. パネルの穴開け寸法はSJ013596を参照のこと。

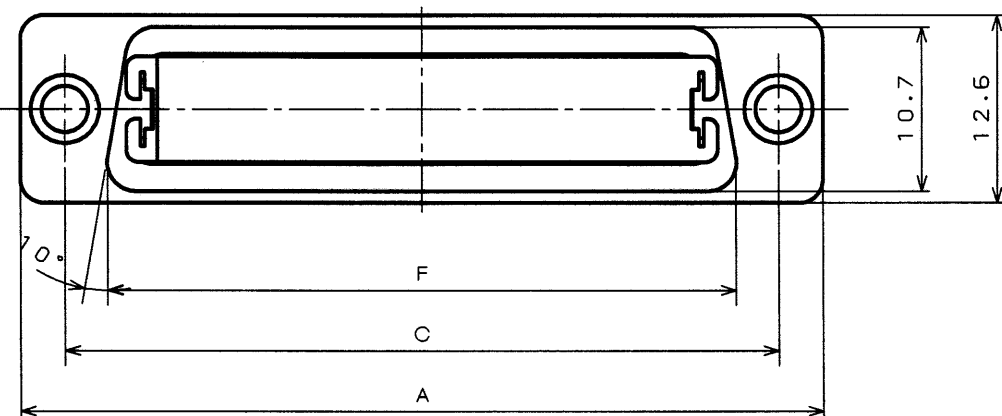
3. パネルの取付寸法はSJ013597を参照のこと。

4. カバー組立体は本体に組み込まずに添付される。

5. 専用のストレインリリーフを取り付けることができる。(SJ015650)

6. 本図は25芯の場合を示す。(インサート配列はSJ010210参照)

7. 図示の位置にロットNo. を刻印する。



BEFORE TERMINATION

結線前

TABLE 1

PART NUMBER	DIMENSION IN MILLIMETERS					
	±0.5 A	±0.25 B	C	±0.8 D	±0.25 E	F
DESP-JB 9SF	30.8	16.26	24.99	16.9	11.04	19.3
DASP-JB15SF	39.1	24.59	33.32	25.2	19.32	27.5
DBSP-JB25SF	53.0	38.30	47.04	39.0	33.12	41.3
DCSP-JB37SF	69.3	54.76	63.50	55.6	49.68	57.7

5	COVER	GUIDE CLIP	2	STAINLESS STEEL	NONE	NOTE 4
		COVER	1	GLASS FILLED PBT	(COLOR: BLACK)	NOTE 4
4	INSULATOR		1	GLASS FILLED PBT	(COLOR: BLACK)	
3	REAR SHELL		1	STEEL	NICKEL PLATING	
2	FRONT SHELL		1	STEEL	NICKEL PLATING	
1	CONTACT			BERYLLIUM COPPER	GOLD PLATING	

符号 NO.	名 DESCRIPTION	個数 QTY.	材 MATERIAL	仕 FINISH	備考 REMARKS
仕様書 (SPECIFICATION)	JACS-3044	第1版 (ORIGINAL DATE)	30.Mar.1983	尺 (SCALE)	2:1
公差 (GENERAL TOLERANCE)		製図 (DRAWING)	KOMATSU	社名 (TITLE)	D * S P - J B ※ S F
寸法 (DIMENSION)		担当 (CHK.)	TASHIRO	名称 (TITLE)	D * S P - J B ※ S F
角度 (ANGLES)		査閲 (APPD.)	NISHINO	重量 (WEIGHT)	
・ ±0.8	×° ±	承認 (APPD.)	KANEDA		
・ X ±0.4	××° ±				
・ XX ±0.13					
・ XXX ±					

JAE ELECTRONICS INDUSTRY, LTD.

図面番号 (DRAWING NO.)

SJ018096

CDS-3301 SIZE A3 版数 (REV.) 6

DOF-C-212D(98.02)