



Chipsmall Limited consists of a professional team with an average of over 10 year of expertise in the distribution of electronic components. Based in Hongkong, we have already established firm and mutual-benefit business relationships with customers from,Europe,America and south Asia,supplying obsolete and hard-to-find components to meet their specific needs.

With the principle of “Quality Parts,Customers Priority,Honest Operation,and Considerate Service”,our business mainly focus on the distribution of electronic components. Line cards we deal with include Microchip,ALPS,ROHM,Xilinx,Pulse,ON,Everlight and Freescale. Main products comprise IC,Modules,Potentiometer,IC Socket,Relay,Connector.Our parts cover such applications as commercial,industrial, and automotives areas.

We are looking forward to setting up business relationship with you and hope to provide you with the best service and solution. Let us make a better world for our industry!



## Contact us

Tel: +86-755-8981 8866 Fax: +86-755-8427 6832

Email & Skype: info@chipsmall.com Web: www.chipsmall.com

Address: A1208, Overseas Decoration Building, #122 Zhenhua RD., Futian, Shenzhen, China



# DBL5W5P300G30LF

## REFERENCE SPECIFICATIONS

-NFC 93425 (in compliance with HE 507)

## PHYSICAL CHARACTERISTICS

- INSULATOR MATERIAL: THERMOPLASTIC UL94V0
- CONTACT MATERIAL: BRASS
- ACCESSORIES: BRASS
- SHELLS: STEEL

## ELECTRICAL CHARACTERISTICS

- NOMINAL CURRENT: 30A or 40A
- CONTACT RESISTANCE: 7.3 m ohms
- CONTACT/CONTACT : 1000 V
- CONTACT/GROUND : 1200 V
- INSULATION RESISTANCE: 5000 MOhms

## ENVIRONMENTAL CHARACTERISTICS

- CLIMATIC CATEGORY: 55/125/21
- TEMPERATURE RANGE -55°C TO +125°C
- DAMP HEAT STEADY STATE 21 DAYS
- SALT SPRAY 24 HOURS

## MECHANICAL CHARACTERISTICS

- RETENTION AGAINST TORQUE: - Threaded insert: 0.7 N.m minimum
- Female screw : 0.5 N.m minimum

Series

Shell size: **E A B C**  
see sheet 2

Front accessory definition  
see sheet 2

- L** : threaded insert M3
- O** : threaded insert UNC 4-40
- V** : female screw UNC 4-40
- I** : female screw M3

Layout of contacts (see sheet 3)

Contacts

- P** : Pin

Termination type

- 3** Straight version

Plating

- 00** 200 matings/unmatings
- 43** 500 matings/unmatings

PCB accessories definition  
see sheet 2

- H** : harpoons for PCB 2.40mm
- G** : harpoons for PCB 1.60mm

Power contacts

- 00** : Not fitted with power contact (signal contacts always fitted)
- 30** : Fitted with power contacts 30 Amp.
- 40** : Fitted with power contacts 40 Amp.

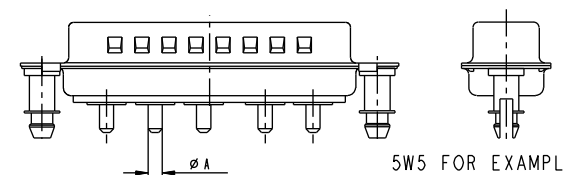
See note RoHS

## NOTE RoHS INFORMATION

- The "LF" products meet european union Directives and other country regulations as described in GS-22-008.
- The housing will withstand exposure to 260°C peak temperature for 3.5 seconds in a wave solder application with a 1.6mm minimum thick circuit board. See application notes/procedures if they are available.
- Termination plating spec:
  - Ni 1.27µm+Sn 2.5 to 7.5µm(pure bright)
- Active area plating spec:
  - Ni + Gold
- Shell plating : 2 to 4µm Cu + 3 to 10µm Sn(pure bright)
- Accessories: Sn pure bright
- Packaging spec: See GS-14-920

TABLE 1:PCB HOLE DIAMETERS

| POWER CONTACTS    |              |                  | ACCESSORIES      |
|-------------------|--------------|------------------|------------------|
| 30 A              | 2.00         | ø2.40            | ø3.10            |
| 40 A              | 2.80         | 3.10             |                  |
| Max current power | øA +0.1<br>0 | PCB HOLE +/ -0.1 | PCB HOLE +/ -0.1 |



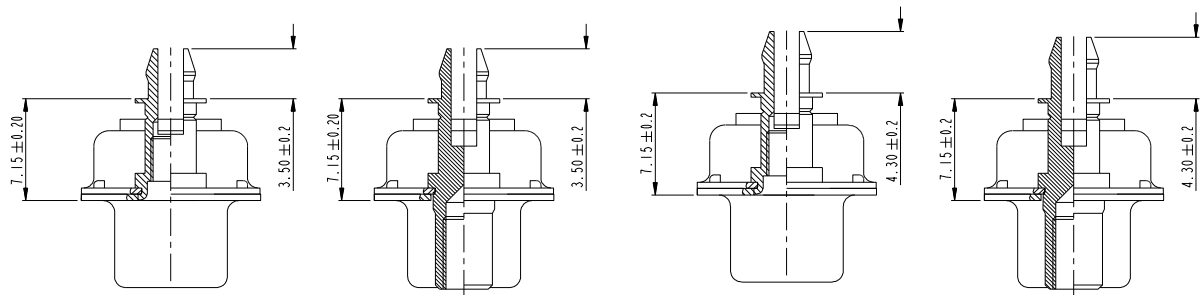
|                                       |                     |                  |                                |            |                |
|---------------------------------------|---------------------|------------------|--------------------------------|------------|----------------|
| www.fciconnect.com                    |                     | surface ISO 1302 | tolerance std ISO 406 ISO 1101 | projection | mm             |
| TOLERANCES UNLESS OTHERWISE SPECIFIED |                     | ANGULAR 0.X ±0.3 | LINEAR 0.XX ±0.1               | size A2    | Scale 2:1      |
| Dr                                    | M PESSON 2005-10-11 | Chr              | P LEGARE 2005-10-11            | Appr       | Product family |
| ECN                                   | F09-0092            | SA               | 2009-07-15                     | LSA        | 2009-09-15     |

|     |           |     |            |     |                     |      |                     |      |                |      |    |       |     |
|-----|-----------|-----|------------|-----|---------------------|------|---------------------|------|----------------|------|----|-------|-----|
| rev | ecn no    | dr  | date       | Dr  | M PESSON 2005-10-11 | Chr  | P LEGARE 2005-10-11 | Appr | Product family | size | A2 | Scale | 2:1 |
| A   | LS05-0113 | MPE | 2005-10-11 | Eng | P LEGARE 2005-10-11 | Chr  | P LEGARE 2005-10-11 | Appr | Product family | size | A2 | Scale | 2:1 |
| B   | LS06-0208 | LGO | 2006-12-13 | Chr | P LEGARE 2005-10-11 | Appr | P LEGARE 2005-10-11 | Appr | Product family | size | A2 | Scale | 2:1 |
| C   | LS07-0165 | MPE | 2007/06/14 | Chr | P LEGARE 2005-10-11 | Appr | P LEGARE 2005-10-11 | Appr | Product family | size | A2 | Scale | 2:1 |
| D   | LS07-0213 | MPE | 2007/11/05 | Chr | P LEGARE 2005-10-11 | Appr | P LEGARE 2005-10-11 | Appr | Product family | size | A2 | Scale | 2:1 |
| E   | LS09-0027 | MPE | 2009/01/21 | Chr | P LEGARE 2005-10-11 | Appr | P LEGARE 2005-10-11 | Appr | Product family | size | A2 | Scale | 2:1 |
| F   | F09-0063  | LSA | 2009-07-15 | Chr | P LEGARE 2005-10-11 | Appr | P LEGARE 2005-10-11 | Appr | Product family | size | A2 | Scale | 2:1 |
| G   | F09-0092  | LSA | 2009-09-15 | Chr | P LEGARE 2005-10-11 | Appr | P LEGARE 2005-10-11 | Appr | Product family | size | A2 | Scale | 2:1 |

FCI SUB MALE DW full power straight solder

C01-8639-2314

Rev. G



|                 |  |  |  |  |
|-----------------|--|--|--|--|
| FRONT ACCESSORY | <b>L</b> insert M3<br><b>O</b> insert UNC 4.40 | <b>V</b> Female screw UNC 4.40<br><b>I</b> Female screw M3 | <b>L</b> insert M3<br><b>O</b> insert UNC 4.40 | <b>V</b> Female screw UNC 4.40<br><b>I</b> Female screw M3 |
| PCB ACCESSORIES | <b>G</b> Harpoon for PCB 1.60mm                | <b>G</b> Harpoon for PCB 1.60mm                            | <b>H</b> Harpoon for PCB 2.40mm                | <b>H</b> Harpoon for PCB 2.40mm                            |

| PART NUMBER     | AMPS | MATINGS/<br>UNMATINGS | FRONT<br>ACCESSORY    | PCB<br>ACCESSORIES |
|-----------------|------|-----------------------|-----------------------|--------------------|
| D*LxWxP300G30LF | 30   | 200                   | insert M3             | harpoon PCB 1.60mm |
| D*OxWxP300G30LF | 30   | 200                   | insert UNC 4.40       | harpoon PCB 1.60mm |
| D*VxWxP300G30LF | 30   | 200                   | female screw UNC 4.40 | harpoon PCB 1.60mm |
| D*IxWxP300G30LF | 30   | 200                   | female screw M3       | harpoon PCB 1.60mm |
| D*LxWxP300H30LF | 30   | 200                   | insert M3             | harpoon PCB 2.40mm |
| D*OxWxP300H30LF | 30   | 200                   | insert UNC 4.40       | harpoon PCB 2.40mm |
| D*VxWxP300H30LF | 30   | 200                   | female screw UNC 4.40 | harpoon PCB 2.40mm |
| D*IxWxP300H30LF | 30   | 200                   | female screw M3       | harpoon PCB 2.40mm |
| D*LxWxP300G40LF | 40   | 200                   | insert M3             | harpoon PCB 1.60mm |
| D*OxWxP300G40LF | 40   | 200                   | insert UNC 4.40       | harpoon PCB 1.60mm |
| D*VxWxP300G40LF | 40   | 200                   | female screw UNC 4.40 | harpoon PCB 1.60mm |
| D*IxWxP300G40LF | 40   | 200                   | female screw M3       | harpoon PCB 1.60mm |
| D*LxWxP300H40LF | 40   | 200                   | insert M3             | harpoon PCB 2.40mm |
| D*OxWxP300H40LF | 40   | 200                   | insert UNC 4.40       | harpoon PCB 2.40mm |
| D*VxWxP300H40LF | 40   | 200                   | female screw UNC 4.40 | harpoon PCB 2.40mm |
| D*IxWxP300H40LF | 40   | 200                   | female screw M3       | harpoon PCB 2.40mm |

shell size \*  
 E 2V2  
 A 3V3  
 A 3W3  
 B 5W5  
 C 8W8

| PART NUMBER     | AMPS | MATINGS/<br>UNMATINGS | FRONT<br>ACCESSORY    | PCB<br>ACCESSORIES |
|-----------------|------|-----------------------|-----------------------|--------------------|
| D*LxWxP343G30LF | 30   | 500                   | insert M3             | harpoon PCB 1.60mm |
| D*OxWxP343G30LF | 30   | 500                   | insert UNC 4.40       | harpoon PCB 1.60mm |
| D*VxWxP343G30LF | 30   | 500                   | female screw UNC 4.40 | harpoon PCB 1.60mm |
| D*IxWxP343G30LF | 30   | 500                   | female screw M3       | harpoon PCB 1.60mm |
| D*LxWxP343H30LF | 30   | 500                   | insert M3             | harpoon PCB 2.40mm |
| D*OxWxP343H30LF | 30   | 500                   | insert UNC 4.40       | harpoon PCB 2.40mm |
| D*VxWxP343H30LF | 30   | 500                   | female screw UNC 4.40 | harpoon PCB 2.40mm |
| D*IxWxP343H30LF | 30   | 500                   | female screw M3       | harpoon PCB 2.40mm |
| D*LxWxP343G40LF | 40   | 500                   | insert M3             | harpoon PCB 1.60mm |
| D*OxWxP343G40LF | 40   | 500                   | insert UNC 4.40       | harpoon PCB 1.60mm |
| D*VxWxP343G40LF | 40   | 500                   | female screw UNC 4.40 | harpoon PCB 1.60mm |
| D*IxWxP343G40LF | 40   | 500                   | female screw M3       | harpoon PCB 1.60mm |
| D*LxWxP343H40LF | 40   | 500                   | insert M3             | harpoon PCB 2.40mm |
| D*OxWxP343H40LF | 40   | 500                   | insert UNC 4.40       | harpoon PCB 2.40mm |
| D*VxWxP343H40LF | 40   | 500                   | female screw UNC 4.40 | harpoon PCB 2.40mm |
| D*IxWxP343H40LF | 40   | 500                   | female screw M3       | harpoon PCB 2.40mm |

Copyright FCI.  
**FCI**

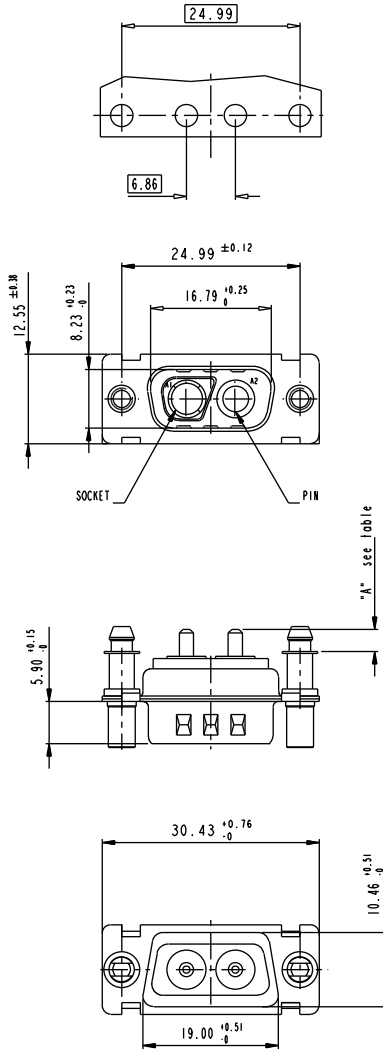
|                                       |          |                       |                                   |            |              |
|---------------------------------------|----------|-----------------------|-----------------------------------|------------|--------------|
| www.fciconnect.com                    |          | surface -<br>ISO 1302 | tolerance std<br>ISO 406 ISO 1101 | projection | mm           |
| TOLERANCES UNLESS OTHERWISE SPECIFIED |          |                       |                                   |            |              |
| Dr                                    | M PESSON | 2005-10-11            | ANGULAR                           | 0.X ±0.3   | size A2      |
| Eng                                   | P LEGARE | 2005-10-11            | LINEAR                            | 0.XXX ±0.1 | Scale 2:1    |
| Chr                                   |          |                       | 0° ±2°                            | 0.05       | ECN F09-0092 |
| Appr                                  |          |                       | Product family                    |            | Spec ref     |

SCALE: 4

|            |                            |                      |        |
|------------|----------------------------|----------------------|--------|
| <b>FCI</b> | TITLE SUB MALE DW          | eng no C01-8639-2314 | Rev. G |
|            | full power straight solder |                      |        |

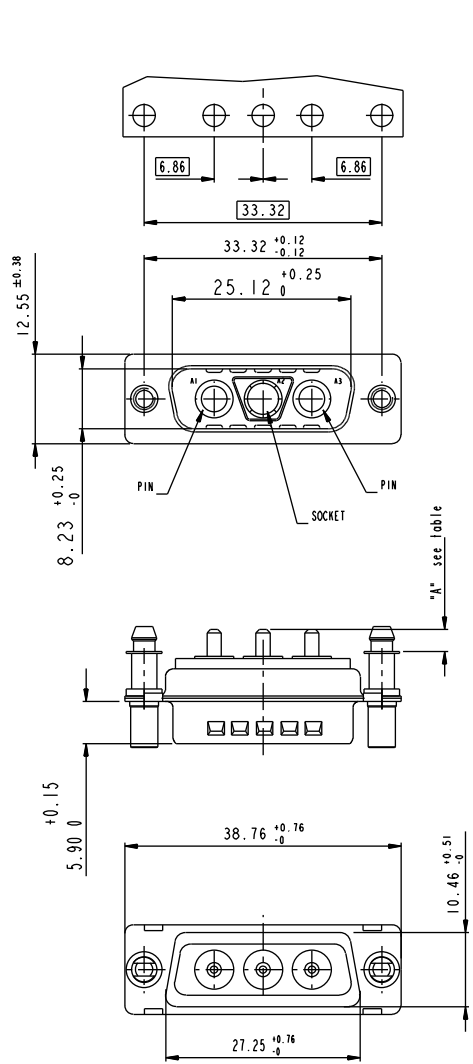
2V2

LAYOUT AND CONNECTOR DIMENSIONS  
For PCB hole diameters see table 1 sheet 1



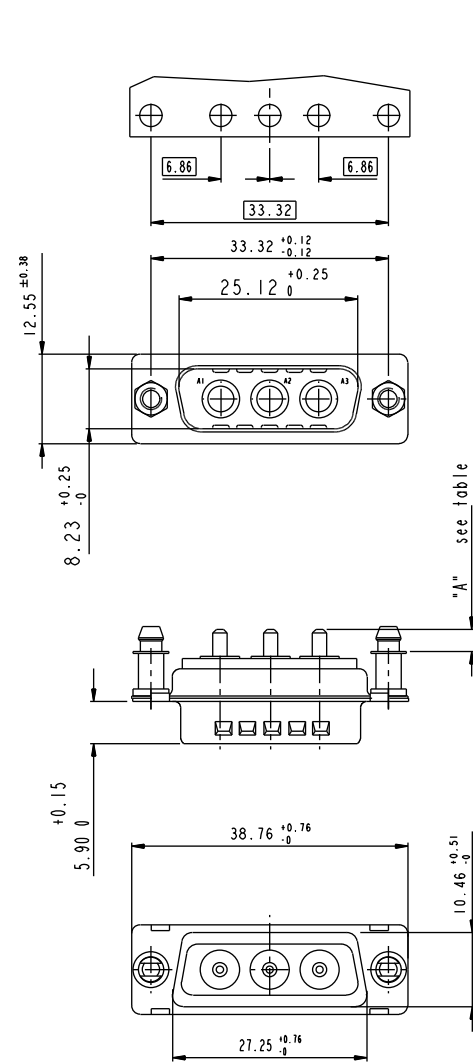
3V3

LAYOUT AND CONNECTOR DIMENSIONS  
For PCB hole diameters see table 1 sheet 1

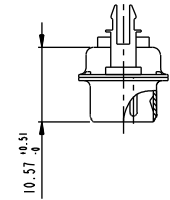


3W3

LAYOUT AND CONNECTOR DIMENSIONS  
For PCB hole diameters see table 1 sheet 1



SIDE VIEW FOR  
LAYOUTS: E A B C



Cote "A"

|     |            |
|-----|------------|
| 30A | 3.1 ± 0.25 |
| 40A | 3.6 ± 0.25 |

Copyright FCI.  
FCI

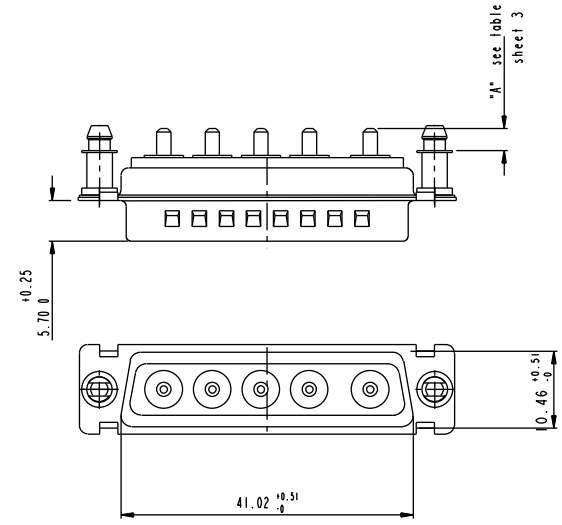
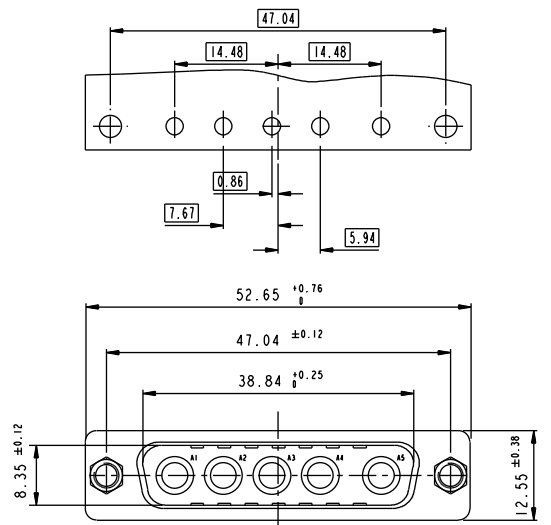
|                    |          |                                       |                                   |              |              |
|--------------------|----------|---------------------------------------|-----------------------------------|--------------|--------------|
| www.fciconnect.com |          | surface -<br>ISO 1302                 | tolerance std<br>ISO 406 ISO 1101 | projection   | mm           |
|                    |          | TOLERANCES UNLESS OTHERWISE SPECIFIED |                                   |              |              |
| Dr                 | M PESSON | 2005-10-11                            | ANGULAR                           | 0.X ± 0.3    | size A2      |
| Eng                | P LEGARE | 2005-10-11                            | LINEAR                            | 0.XX ± 0.1   | Scale 2:1    |
| Chr                |          |                                       | 0° ± 2°                           | 0.XXX ± 0.05 | ECN F09-0092 |
| Appr               |          |                                       | Product family                    |              | Spec ref     |

|     |                            |         |               |      |   |
|-----|----------------------------|---------|---------------|------|---|
| FCI | TITLE SUB MALE DW          | part no | C01-8639-2314 | Rev. | G |
|     | full power straight solder |         |               |      |   |

### 5W5

LAYOUT AND CONNECTOR DIMENSIONS

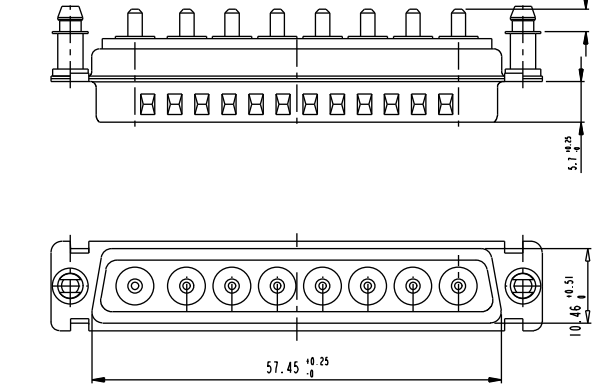
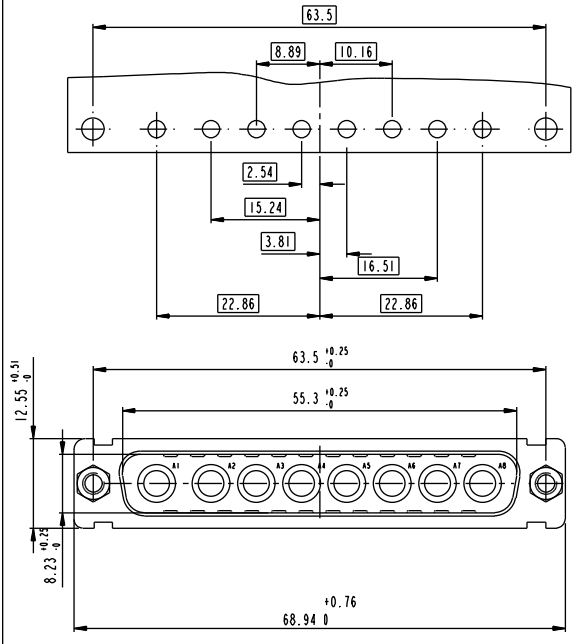
For PCB hole diameters see table 1 sheet 1



### 8W8

LAYOUT AND CONNECTOR DIMENSIONS

For PCB hole diameters see table 1 sheet 1



|                                       |          |                     |                                   |                  |
|---------------------------------------|----------|---------------------|-----------------------------------|------------------|
| www.fciconnect.com                    |          | surface<br>ISO 1302 | tolerance std<br>ISO 406 ISO 1101 | projection<br>mm |
| TOLERANCES UNLESS OTHERWISE SPECIFIED |          |                     |                                   |                  |
| Dr                                    | M PESSON | 2005-10-11          | ANGULAR                           | size A2          |
| Eng                                   | P LEGARE | 2005-10-11          | LINEAR                            | Scale 2:1        |
| Chr                                   |          |                     | 0° ±2°                            | ECN F09-0092     |
| Appr                                  |          |                     | Product family                    | Spec ref         |

|            |  |                          |           |
|------------|--|--------------------------|-----------|
| <b>FCI</b> | TITLE<br>SUB MALE DW<br>full power straight solder | part no<br>C01-8639-2314 | Rev.<br>G |
|------------|--|--------------------------|-----------|