



Chipsmall Limited consists of a professional team with an average of over 10 year of expertise in the distribution of electronic components. Based in Hongkong, we have already established firm and mutual-benefit business relationships with customers from,Europe,America and south Asia,supplying obsolete and hard-to-find components to meet their specific needs.

With the principle of "Quality Parts,Customers Priority,Honest Operation,and Considerate Service",our business mainly focus on the distribution of electronic components. Line cards we deal with include Microchip,ALPS,ROHM,Xilinx,Pulse,ON,Everlight and Freescale. Main products comprise IC,Modules,Potentiometer,IC Socket,Relay,Connector.Our parts cover such applications as commercial,industrial, and automotives areas.

We are looking forward to setting up business relationship with you and hope to provide you with the best service and solution. Let us make a better world for our industry!



Contact us

Tel: +86-755-8981 8866 Fax: +86-755-8427 6832

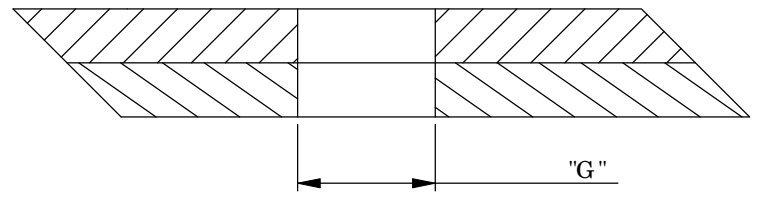
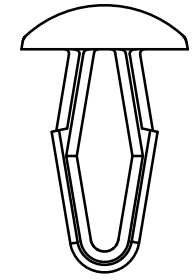
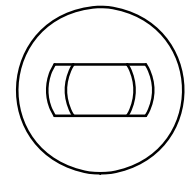
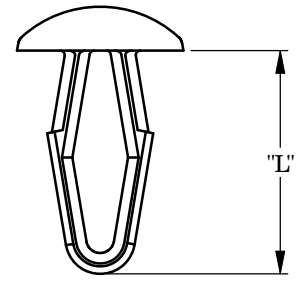
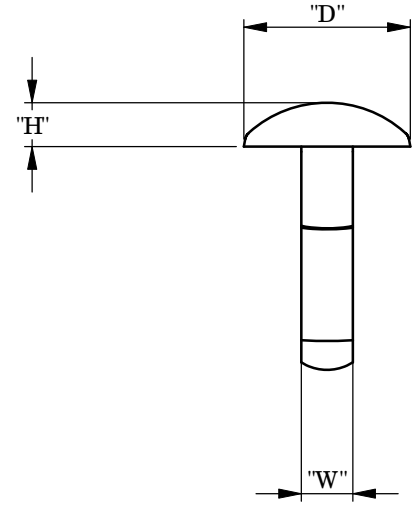
Email & Skype: info@chipsmall.com Web: www.chipsmall.com

Address: A1208, Overseas Decoration Building, #122 Zhenhua RD., Futian, Shenzhen, China



A B C D E F

REV.	MODIFICATION.	DATE	DRN
01	ECN2007-080	08/06/07	SF
02	ECN2007-202	15/11/07	NJB
03	CO2010238	16/05/08	SF
04	CO2010544	30/01/09	OW
05	CO2010549	05/02/09	OW
06	CO2010843	20/10/09	OW
07	CO2010953	12/07/10	SF
08	CO2010967	02/08/10	MT



- NOTES:
- 1) ALTERNATE UNITS FOR REFERENCE ONLY
 - 2) PARTS AVAILABLE IN COLOURS BY SPECIAL ORDER. ADD COLOUR SUFFIX TO END OF PARTNUMBER. E.G. DF-137-050RD FOR RED.
 - 3) PARTS AVAILABLE IN UV STABILIZED NYLON. TO ORDER, ADD -UVB TO THE END OF THE PARTNUMBER.

INFORMATION CONTAINED IN THIS DOCUMENT IS CONFIDENTIAL TO RICHCO INTERNATIONAL Co. Ltd. AND MAY NOT BE DISCLOSED OR REPRODUCED IN WHOLE OR PART WITHOUT THEIR WRITTEN CONSENT.

ACETAL (RMS-14) COLOUR: NATURAL PARTNo:	FLAME RETARDANT NYLON UL94 V-0 (RMS-19) COLOUR: NATURAL PARTNo:	HOLE Ø "G" ±0.05 [±.002]	"T" TOTAL THICKNESS RANGE	"D" ±0.50 [±.020]	"H" ±0.25 [±.010]	"L" REF	"W" REF
DF-137-010	DFV0-137-010	3.2 [.126]	1.0-4.5 [.039-.177]	8.0 [.315]	1.5 [.059]	13.0 [.512]	2.7 [.106]
DF-137-020	DFV0-137-020	3.9 [.153]	1.0-5.0 [.039-.197]	9.0 [.354]	1.6 [.063]	14.0 [.551]	2.9 [.116]
DF-137-030	DFV0-137-030	4.7 [.185]	1.0-5.5 [.039-.216]	10.0 [.394]	1.7 [.067]	15.0 [.590]	3.4 [.134]
DF-137-031	DFV0-137-031	4.7 [.185]	1.0-5.5 [.039-.216]	11.0 [.433]	2.9 [.114]	15.0 [.590]	3.4 [.134]
DF-137-040	DFV0-137-040	6.4 [.252]	1.5-6.5 [.059-.256]	12.0 [.472]	2.0 [.079]	17.0 [.669]	3.9 [.153]
DF-137-050	DFV0-137-050	7.8 [.307]	1.5-7.0 [.059-.275]	14.0 [.551]	2.2 [.087]	19.0 [.748]	4.2 [.166]
DF-137-060	DFV0-137-060	5.5 [.216]	6.0-9.0 [.236-.354]	12.0 [.472]	2.0 [.079]	17.5 [.689]	3.8 [.150]

RICHCO, INC.
WWW.RICHCO-INC.COM

MEIRIC PRIMARY UNITS: mm
 IMPERIAL SECONDARY UNITS: (inches)
 GENERAL TOLERANCES ±0.25 (0.010)
 UNLESS OTHERWISE STATED
 1 DECIMAL PLACE ±0.25
 2 DECIMAL PLACES ±0.10
 ANGULAR ±1°

THIRD ANGLE

MATERIAL:				COLOUR:	
SEE TABLE				SEE TABLE	
DESCRIPTION:				PARTNo:	
DRIVE FASTENER				SEE TABLE	
DRG No:		NPR No:		Mass:(g)	SHEET SIZE
07-052				0.4	A4
DRN	DATE	CHKD	DATE	SCALE	SHEETNo.
SF	08/06/07	NB	08/06/07	NTS	1 OF 1