



Chipsmall Limited consists of a professional team with an average of over 10 year of expertise in the distribution of electronic components. Based in Hongkong, we have already established firm and mutual-benefit business relationships with customers from,Europe,America and south Asia,supplying obsolete and hard-to-find components to meet their specific needs.

With the principle of “Quality Parts,Customers Priority,Honest Operation,and Considerate Service”,our business mainly focus on the distribution of electronic components. Line cards we deal with include Microchip,ALPS,ROHM,Xilinx,Pulse,ON,Everlight and Freescale. Main products comprise IC,Modules,Potentiometer,IC Socket,Relay,Connector.Our parts cover such applications as commercial,industrial, and automotives areas.

We are looking forward to setting up business relationship with you and hope to provide you with the best service and solution. Let us make a better world for our industry!



Contact us

Tel: +86-755-8981 8866 Fax: +86-755-8427 6832

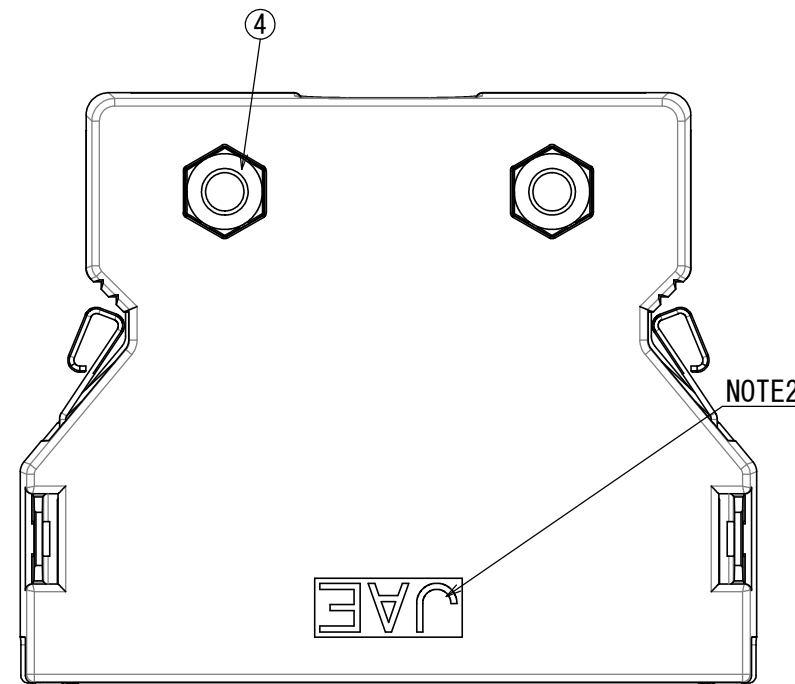
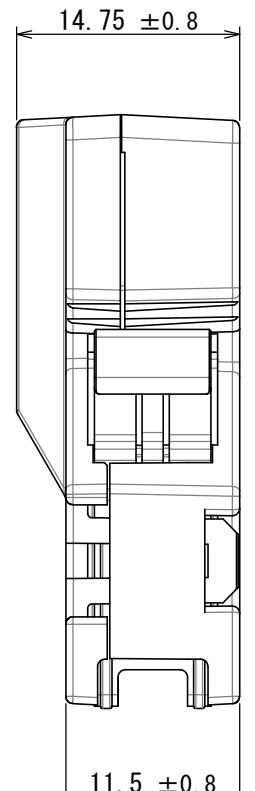
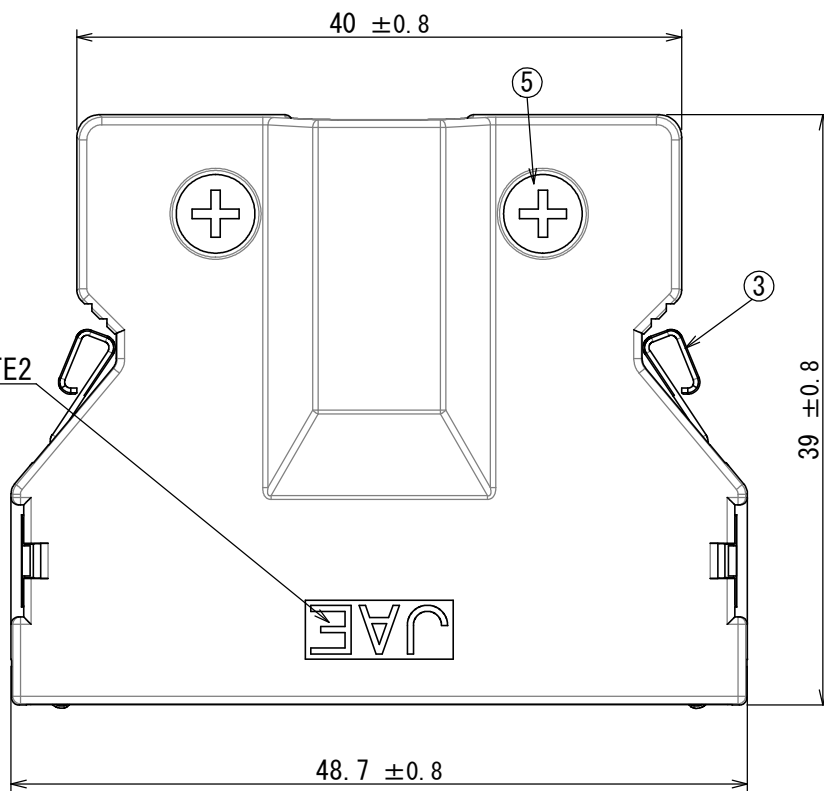
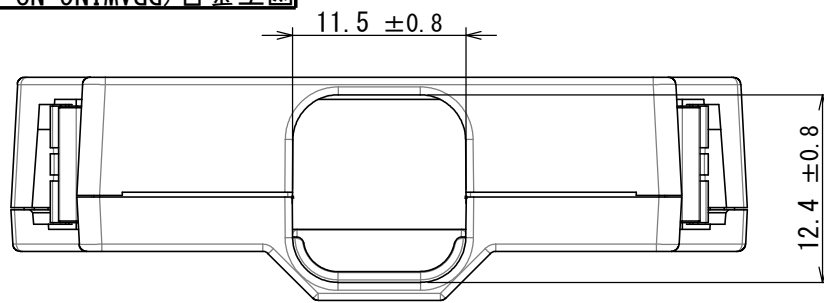
Email & Skype: info@chipsmall.com Web: www.chipsmall.com

Address: A1208, Overseas Decoration Building, #122 Zhenhua RD., Futian, Shenzhen, China



SJ114162
図面番号 (DRAWING NO.)

版数 VER.	年月日 DATE	CN NO.	変更内容 DESCRIPTION	製図 DR.	担当 CHK.	査閲 APPD.	承認 APPD.
------------	-------------	--------	---------------------	-----------	------------	-------------	-------------



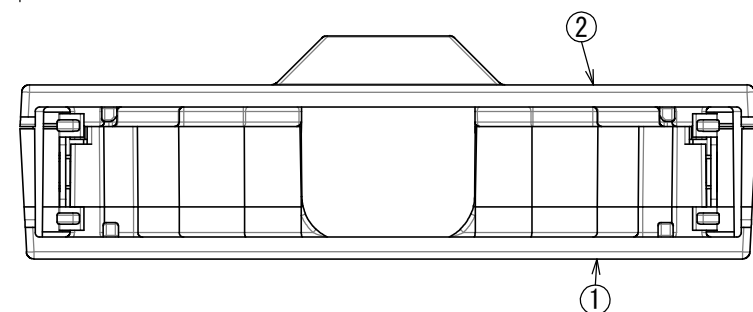
命名法

DF 02 D 050 A 2 1

Modification number
モディファイ番号
Applicable Cable (1: Not applicable for thicker line, 2: Applicable for thicker line)
適合電線 (1: 太線未対応, 2: 太線対応)
Lock method (A: One-touch operation, B: Screw lock)
ロック方法 (A: ワンタッチロック, B: スクリューロック)
No. of contacts
芯数
Form (C: Straight short type, D: Straight long type, E: Angle straight type, F: Angle long type)
形態 (C: ストレートショート, D: ストレートロング, E: アンクルショート, F: アンクルロング)
Development No.
開発No.
Series
シリーズ

NOTE2

NOTE2



NOTE1. THE HOOD (A) ASSEMBLED WITH NUT IS SUPPLIED. THE OTHER PARTS ARE ATTACHED.

NOTE2. MARK THE COMPANY NAME AT THE PLACE DESIGNATED IN THE DRAWING.

NOTE3. APPLICABLE CONNECTOR: SEE JAHL-30303.

NOTE4. CLAMP PLATE IS SOLD SEPARATELY. SEE JAHL-30303 FOR APPLICABLE THE CLAMP PLATE.

NOTE5. SEE JAHL-30303 FOR OPERATION OF THE CONECTOR.

注1. ナットは、フードAに組込まれた状態で納入される。その他の部品は、バラの状態での納入される。

注2. 図示の位置に社名を表示する。

注3. 適用コネクタについてはJAHL-30303参照。

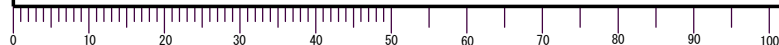
注4. クランププレートは別売りとする。適用クランププレートはJAHL-30303参照。

注5. コネクタの取扱いについてはJAHL-30303参照。

5	FLAT SCREW	2	STEEL	NICKEL PLATING	M2. 6
4	HEXAGON NUT	2	STEEL	NICKEL PLATING	M2. 6
3	LOCK SPRING	2	STAINLESS STEEL	—	—
2	HOOD (B)	1	ABS	NICKEL PLATING	—
1	HOOD (A)	1	ABS	NICKEL PLATING	—
符号 NO.	名称 DESCRIPTION	個数 QTY.	材料 MATERIAL	仕上 FINISH	備考 REMARKS

仕様書 (SPECIFICATION) JACS-30303 JAHL-30303		第1版 (ORIGINAL DATE) 13/NOV/2013		尺度 (SCALE) 2 : 1		シリーズ (SERIES) DF02		日本航空電子工業株式会社	
一般公差 (GENERAL TOLERANCE)		製図 DR.		名称 (TITLE) DF02D050A21		JAE		JAPAN AVIATION ELECTRONICS INDUSTRY, LTD.	
寸法 (DIMENSION)		担当 CHK.		査閲 APPD.		質量 (MASS)		図面番号 (DRAWING NO.)	
. ± 0.8		T. SHIINA		O. TAKAGI		+		SJ114162	
. × ± 0.4		査閲 APPD.		承認 APPD.		+		版数 (VER.)	
. × × ± 0.1		T. MIYASHITA				+		1	
. × × × ±		単位 (UNIT) : mm				+			

DCF-C-212H(12.08)



S/W