



Chipsmall Limited consists of a professional team with an average of over 10 year of expertise in the distribution of electronic components. Based in Hongkong, we have already established firm and mutual-benefit business relationships with customers from,Europe,America and south Asia,supplying obsolete and hard-to-find components to meet their specific needs.

With the principle of "Quality Parts,Customers Priority,Honest Operation,and Considerate Service",our business mainly focus on the distribution of electronic components. Line cards we deal with include Microchip,ALPS,ROHM,Xilinx,Pulse,ON,Everlight and Freescale. Main products comprise IC,Modules,Potentiometer,IC Socket,Relay,Connector.Our parts cover such applications as commercial,industrial, and automotives areas.

We are looking forward to setting up business relationship with you and hope to provide you with the best service and solution. Let us make a better world for our industry!



## Contact us

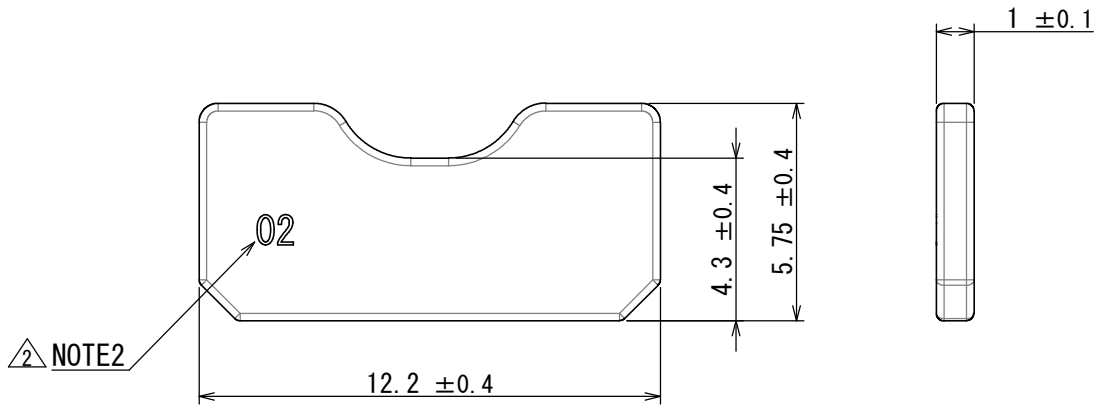
Tel: +86-755-8981 8866 Fax: +86-755-8427 6832

Email & Skype: info@chipsmall.com Web: www.chipsmall.com

Address: A1208, Overseas Decoration Building, #122 Zhenhua RD., Futian, Shenzhen, China



版数 VER.	年月日 DATE	CN NO.	変更内容 DESCRIPTION	製図 DR.	担当 CHK.	査閲 APPD.	承認 APPD.
2	20/JAN/2014	008598	CORRECT AN ERROR (REDACTION MARK:1)		T. SHIINA	O. TAKAGI	T. MIYASHITA



**命名法**

DF 02 H CLP 02 A

Applicable hood (A: for 14, 20, 26 contacts,  
B: for 36, 50, 68 contacts)  
適合フード (A: 14, 20, 26芯用, B: 36, 50, 68芯用)

CLP development No. (01 to 99)  
CLP開発No. (0~99)

Part form (CLP: Clamp Plate)  
部品形態 (CLP: クランププレート)

Form (H: Hood)  
形態 (P: フード用)

Development No.  
開発No.

Series  
シリーズ

- NOTE 1. SEE JAHL-30303 FOR APPLICABLE HOODS.
- NOTE 2. CLP DEVELOPMENT NUMBER IS SHOWN AS INDICATED.
- NOTE 3. SEE JAHL-30303 FOR OPERATION OF THE CLAMP PLATE.
- NOTE 4. SEE JAHL-30303 FOR APPLICABLE OUTER DIAMETER.
- 注1. 適用フードについては、JAHL-30303参照。
- 注2. 図示の位置にCLP開発No. を表示する。
- 注3. クランププレートの取扱いについてはJAHL-30303参照。
- 注4. 適用外径はJAHL-30303参照。

1	CLAMP PLATE	1	STEEL	NICKEL PLATING	—
符号 NO.	名称 DESCRIPTION	個数 QTY.	材料 MATERIAL	仕上 FINISH	備考 REMARKS
仕様書 (SPECIFICATION)		第1版 (ORIGINAL DATE) 01/OCT/2013		名称 (TITLE) DF02HCLP02A	
一般公差 (GENERAL TOLERANCE)		製図 DR.		日本航空電子工業株式会社	
寸法 (DIMENSION)		担当 CHK.		JAE JAPAN AVIATION ELECTRONICS INDUSTRY, LTD.	
角度 (ANGLES)		査閲 APPD.			
単位 (UNIT) : mm		承認 APPD.			
シリアル (SERIES) DF02		スケール (SCALE) 5:1		図面番号 (DRAWING NO.) SJ114551	
				版数 (VER.) 2	

DCF-C-211H(12.08)

S/W

WISDOM承認 2014/01/24