



Chipsmall Limited consists of a professional team with an average of over 10 year of expertise in the distribution of electronic components. Based in Hongkong, we have already established firm and mutual-benefit business relationships with customers from,Europe,America and south Asia,supplying obsolete and hard-to-find components to meet their specific needs.

With the principle of “Quality Parts,Customers Priority,Honest Operation,and Considerate Service”,our business mainly focus on the distribution of electronic components. Line cards we deal with include Microchip,ALPS,ROHM,Xilinx,Pulse,ON,Everlight and Freescale. Main products comprise IC,Modules,Potentiometer,IC Socket,Relay,Connector.Our parts cover such applications as commercial,industrial, and automotives areas.

We are looking forward to setting up business relationship with you and hope to provide you with the best service and solution. Let us make a better world for our industry!



Contact us

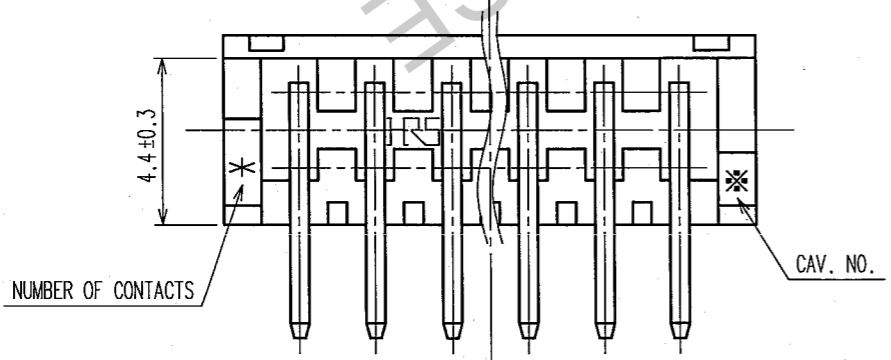
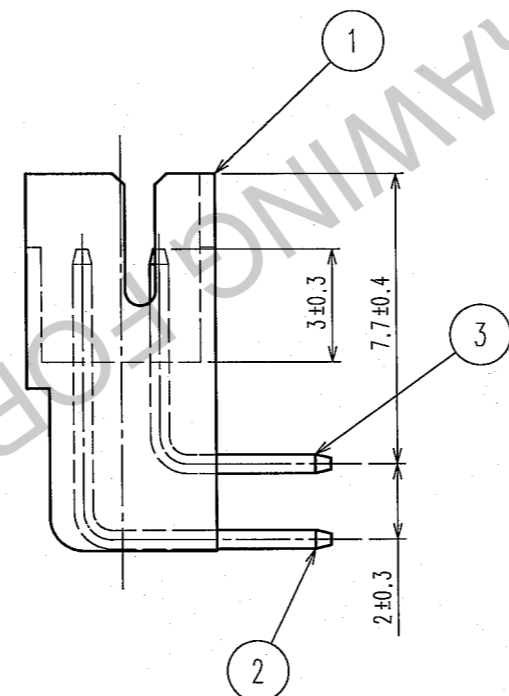
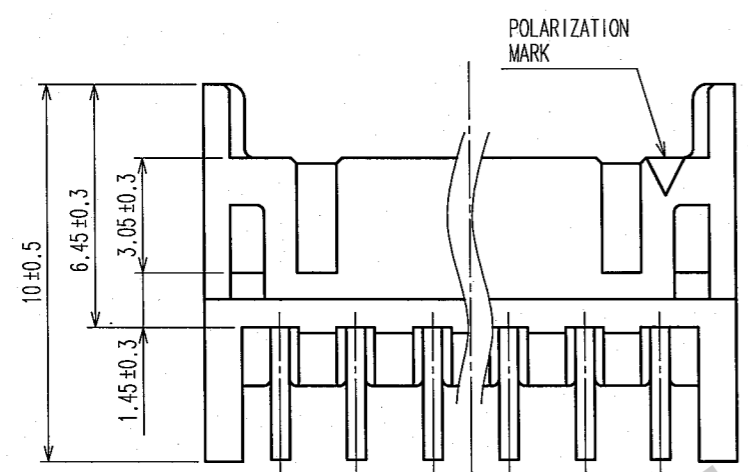
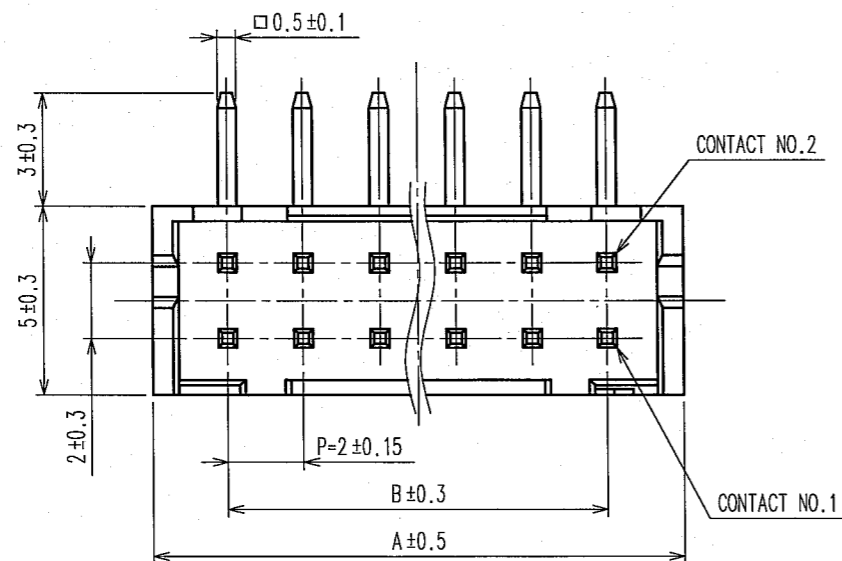
Tel: +86-755-8981 8866 Fax: +86-755-8427 6832

Email & Skype: info@chipsmall.com Web: www.chipsmall.com

Address: A1208, Overseas Decoration Building, #122 Zhenhua RD., Futian, Shenzhen, China

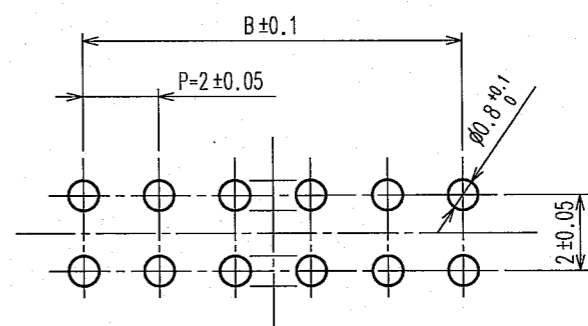


COUNT	DESCRIPTION OF REVISIONS	BY	CHKD	DATE	COUNT	DESCRIPTION OF REVISIONS	BY	CHKD	DATE
△				..	△				..
△				..	△				..
△				..	△				..



CODE NO.	PART NO.	CONTACT	A	B
CL543-0533-1-24	DF11- 4DP-2DS (24)	4	6.0	2.0
CL543-0534-4-24	DF11- 6DP-2DS (24)	6	8.0	4.0
CL543-0535-7-24	DF11- 8DP-2DS (24)	8	10.0	6.0
CL543-0536-0-24	DF11-10DP-2DS (24)	10	12.0	8.0
CL543-0537-2-24	DF11-12DP-2DS (24)	12	14.0	10.0
CL543-0538-5-24	DF11-14DP-2DS (24)	14	16.0	12.0
CL543-0539-8-24	DF11-16DP-2DS (24)	16	18.0	14.0
CL543-0540-7-24	DF11-18DP-2DS (24)	18	20.0	16.0
CL543-0541-0-24	DF11-20DP-2DS (24)	20	22.0	18.0
CL543-0542-2-24	DF11-22DP-2DS (24)	22	24.0	20.0
CL543-0543-5-24	DF11-24DP-2DS (24)	24	26.0	22.0
CL543-0544-8-24	DF11-26DP-2DS (24)	26	28.0	24.0
CL543-0545-0-24	DF11-28DP-2DS (24)	28	30.0	26.0
CL543-0546-3-24	DF11-30DP-2DS (24)	30	32.0	28.0
CL543-0547-6-24	DF11-32DP-2DS (24)	32	34.0	30.0

RECOMMENDED PATTERN

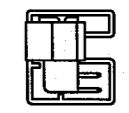
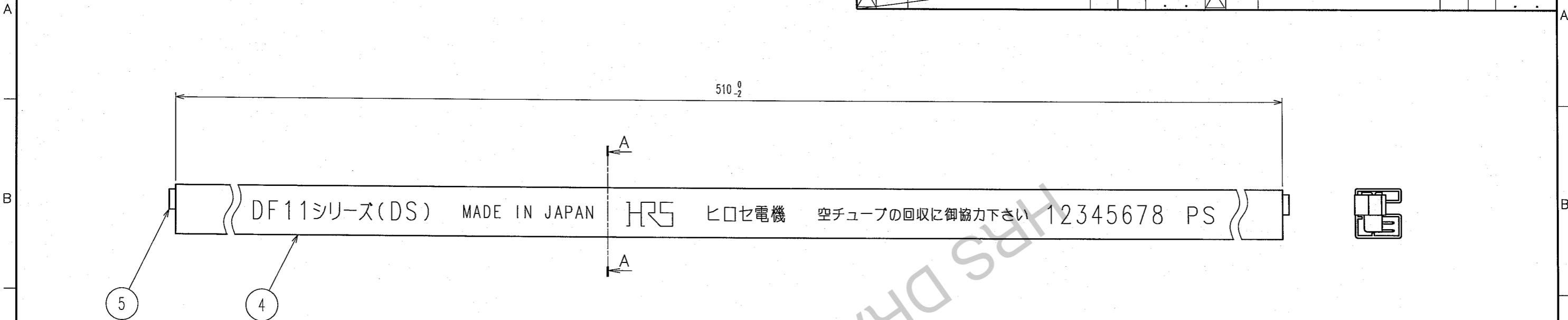


2	BRASS	SURFACE:TIN PLATED 1μ m min UNDER PLATING:NICKEL PLATED 0.5μ m min	5	ELASTOMER	STOPPER, GREEN
1	POLYAMIDE	BLACK, UL94V-0	4	PS	ELECTROSTATIC PROTECTION, CLEAR
			3	BRASS	SURFACE:TIN PLATED 1μ m min UNDER PLATING:NICKEL PLATED 0.5μ m min
NO.	MATERIAL	FINISH, REMARKS	NO.	MATERIAL	FINISH, REMARKS

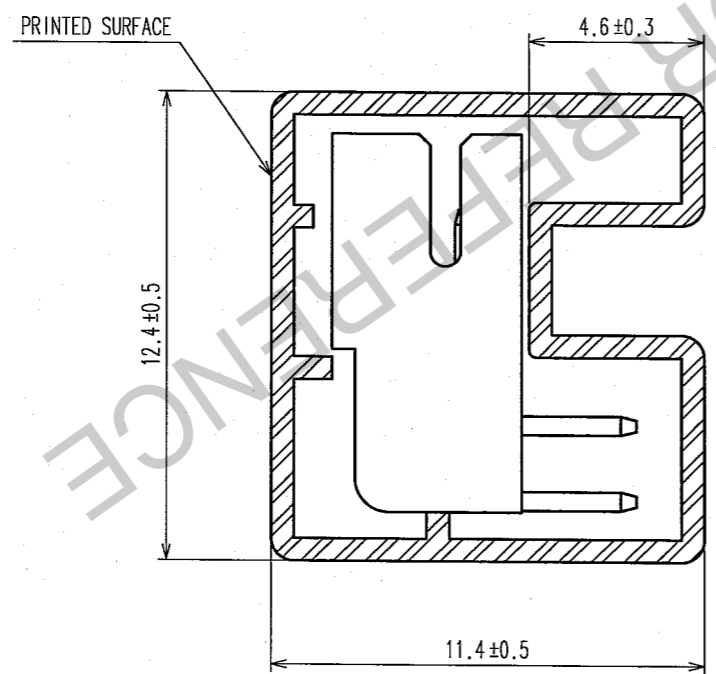
REMARKS			DRAWN	DESIGNED	CHECKED	APPROVED	RELEASED
			A.Miura	<i>[Signature]</i>	<i>[Signature]</i>	J.Oma	
			05.10.24	05.10.27	05.10.27	05.10.27	
CODE NO. (OLD)	DRAWING NO.	PART NO.					
	EDC3-084779-02	DF11-*DP-2DS(24)					
SCALE	UNITS	mm	CODE NO.				
5 : 1			CL543-				
HRS HIROSE ELECTRIC CO., LTD.			1/2				

TO

COUNT	DESCRIPTION OF REVISIONS	BY	CHKD	DATE	COUNT	DESCRIPTION OF REVISIONS	BY	CHKD	DATE
△					△				
△					△				
△					△				



A-A (5:1)



CODE NO.	PART NO.	NUMBER OF CONNECTORS
CL543-0533-1-24	DF11- 4DP-2DS (24)	81
CL543-0534-4-24	DF11- 6DP-2DS (24)	61
CL543-0535-7-24	DF11- 8DP-2DS (24)	48
CL543-0536-0-24	DF11-10DP-2DS (24)	40
CL543-0537-2-24	DF11-12DP-2DS (24)	34
CL543-0538-5-24	DF11-14DP-2DS (24)	30
CL543-0539-8-24	DF11-16DP-2DS (24)	27
CL543-0540-7-24	DF11-18DP-2DS (24)	24
CL543-0541-0-24	DF11-20DP-2DS (24)	22
CL543-0542-2-24	DF11-22DP-2DS (24)	20
CL543-0543-5-24	DF11-24DP-2DS (24)	18
CL543-0544-8-24	DF11-26DP-2DS (24)	17
CL543-0545-0-24	DF11-28DP-2DS (24)	16
CL543-0546-3-24	DF11-30DP-2DS (24)	15
CL543-0547-6-24	DF11-32DP-2DS (24)	14

NOTE 1. NUMBER OF CONNECTORS PER A MAGAZINE CASE SHALL BE IN ACCORDANCE WITH THE LIST BELOW.
 2. THESE CONNECTORS SHALL BE ON SALED IN ACCORDANCE WITH THE MULTIPLE QUANTITY ON THE LIST.

TO

REMARKS	DRAWN	DESIGNED	CHECKED	APPROVED	RELEASED
	A. Miura 05.10.24	<i>[Signature]</i> 05.10.27	<i>[Signature]</i> 05.10.27	<i>[Signature]</i> 05.10.27	
CODE NO. (OLD)	DRAWING NO. EDC3-084779-02		PART NO. DF11- *DP-2DS (24)		
SCALE FR : EE UNITS mm	HIROSE ELECTRIC CO., LTD.		CODE NO. CL543-	2	

