



Chipsmall Limited consists of a professional team with an average of over 10 year of expertise in the distribution of electronic components. Based in Hongkong, we have already established firm and mutual-benefit business relationships with customers from,Europe,America and south Asia,supplying obsolete and hard-to-find components to meet their specific needs.

With the principle of “Quality Parts,Customers Priority,Honest Operation,and Considerate Service”,our business mainly focus on the distribution of electronic components. Line cards we deal with include Microchip,ALPS,ROHM,Xilinx,Pulse,ON,Everlight and Freescale. Main products comprise IC,Modules,Potentiometer,IC Socket,Relay,Connector.Our parts cover such applications as commercial,industrial, and automotives areas.

We are looking forward to setting up business relationship with you and hope to provide you with the best service and solution. Let us make a better world for our industry!



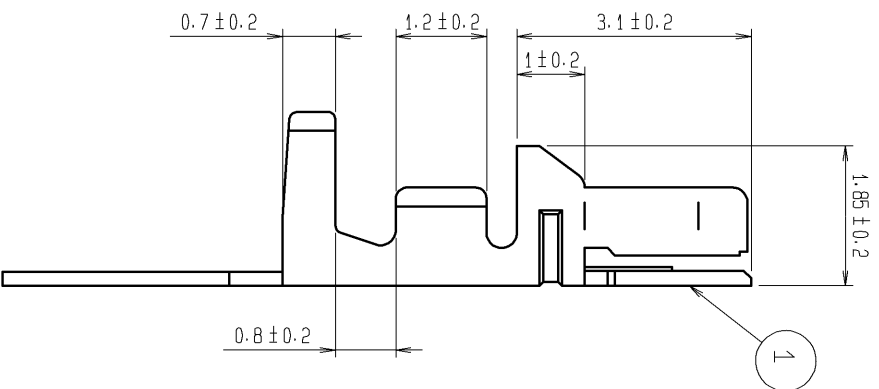
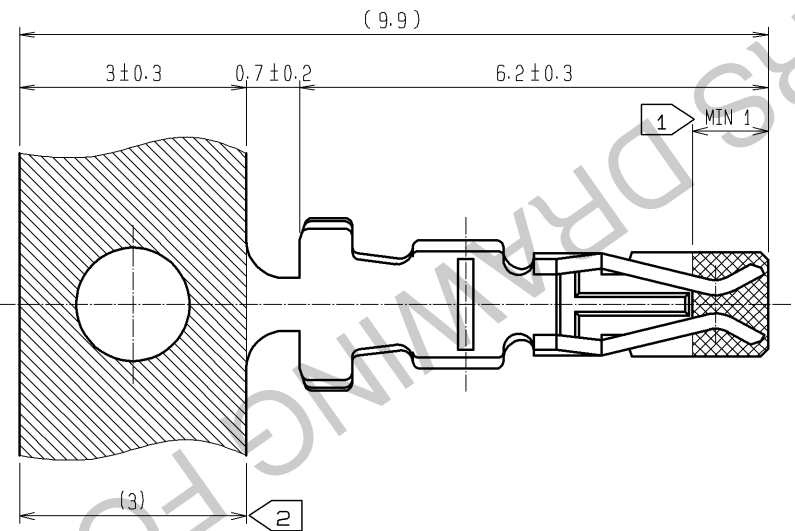
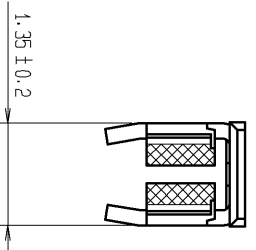
Contact us

Tel: +86-755-8981 8866 Fax: +86-755-8427 6832

Email & Skype: info@chipsmall.com Web: www.chipsmall.com

Address: A1208, Overseas Decoration Building, #122 Zhenhua RD., Futian, Shenzhen, China





- NOTES
- 1: GOLD PLATE AREA.
 - 2: TIN PLATE AREA.
 - 3: 1 REEL: 10000 CONTACTS.

1	PHOSPHOR BRONZE	CONTACT AREA: GOLD PLATED 0.2µm min CARRIER AREA: TIN PLATED 1µm min OTHERS: NICKEL PLATED
---	-----------------	--

NO.	MATERIAL	FINISH . REMARKS		NO.	MATERIAL	FINISH . REMARKS	
		SCALE	COUNT			DESCRIPTION OF REVISIONS	DESIGNED
UNITS mm		10: 1	1	DIS-H-006223	MI. SAKIMURA	HK. UMEHARA	11.10.11
APPROVED : TS. SAKATA		08.01.11		DRAWING NO.		EDC4-080087-02	
CHECKED : HK. UMEHARA		08.01.11		PART NO.		DF11-2428SCFA(04)	
DESIGNED : TT. OHSAKO		08.01.10		CODE NO.		CL543-0550-0-04	
DRAWN : TT. OHSAKO		08.01.10		DRAWING NO.			

HRS HIROSE ELECTRIC CO., LTD.