



Chipsmall Limited consists of a professional team with an average of over 10 year of expertise in the distribution of electronic components. Based in Hongkong, we have already established firm and mutual-benefit business relationships with customers from,Europe,America and south Asia,supplying obsolete and hard-to-find components to meet their specific needs.

With the principle of “Quality Parts,Customers Priority,Honest Operation,and Considerate Service”,our business mainly focus on the distribution of electronic components. Line cards we deal with include Microchip,ALPS,ROHM,Xilinx,Pulse,ON,Everlight and Freescale. Main products comprise IC,Modules,Potentiometer,IC Socket,Relay,Connector.Our parts cover such applications as commercial,industrial, and automotives areas.

We are looking forward to setting up business relationship with you and hope to provide you with the best service and solution. Let us make a better world for our industry!



Contact us

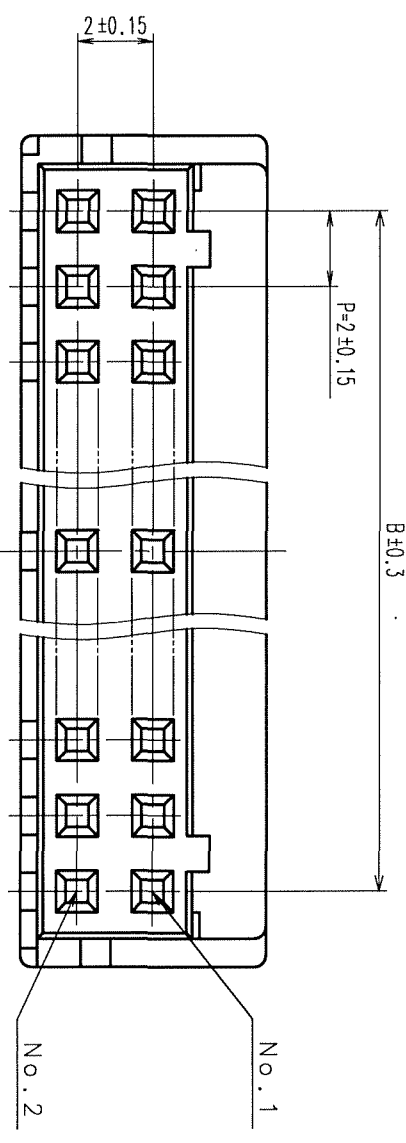
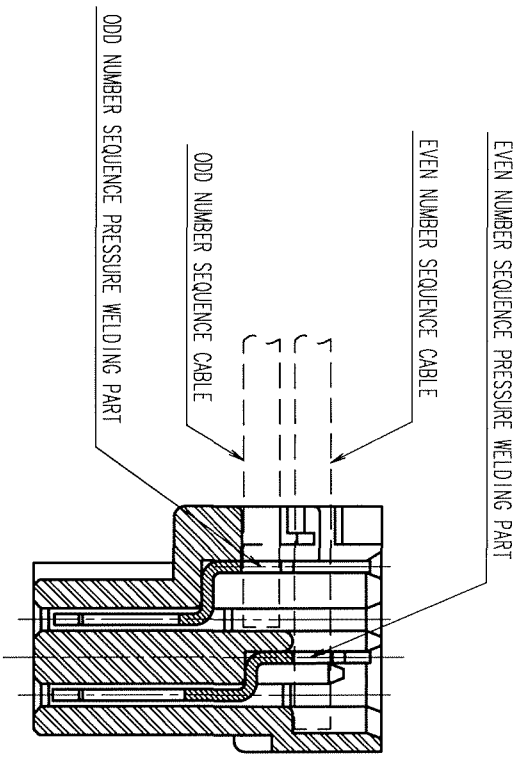
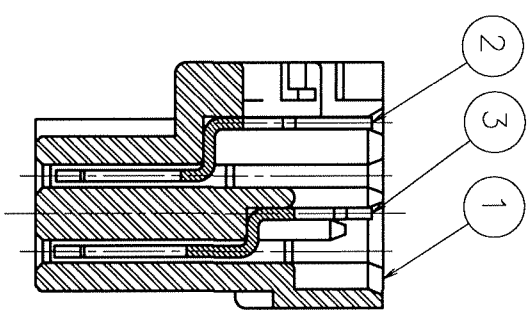
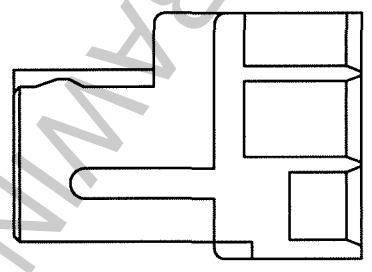
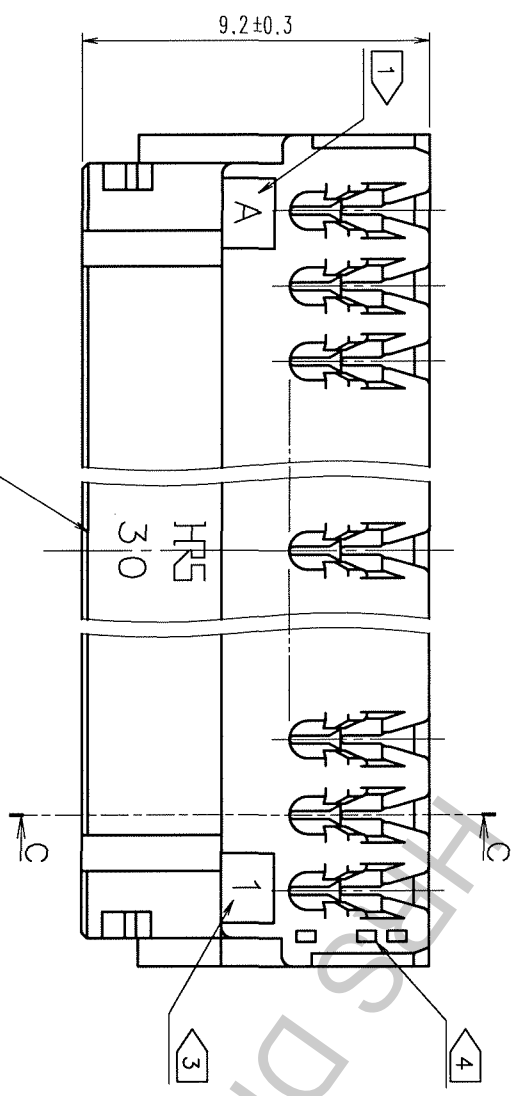
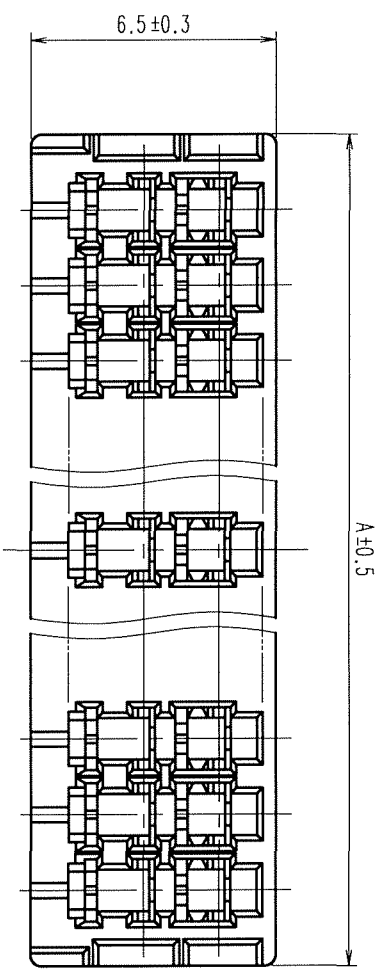
Tel: +86-755-8981 8866 Fax: +86-755-8427 6832

Email & Skype: info@chipsmall.com Web: www.chipsmall.com

Address: A1208, Overseas Decoration Building, #122 Zhenhua RD., Futian, Shenzhen, China



COUNT	DESCRIPTION OF REVISIONS	BY	CHKD	DATE	COUNT	DESCRIPTION OF REVISIONS	BY	CHKD	DATE



HRS NO.	PART NO.	A	B
CL543-0652-0-05	DF11-4DS-2R26(05)	6	2
CL543-0653-3-05	DF11-6DS-2R26(05)	8	4
CL543-0654-6-05	DF11-8DS-2R26(05)	10	6
CL543-0655-9-05	DF11-10DS-2R26(05)	12	8
CL543-0656-1-05	DF11-12DS-2R26(05)	14	10
CL543-0657-4-05	DF11-14DS-2R26(05)	16	12
CL543-0658-7-05	DF11-16DS-2R26(05)	18	14
CL543-0659-0-05	DF11-18DS-2R26(05)	20	16
CL543-0660-9-05	DF11-20DS-2R26(05)	22	18
CL543-0661-1-05	DF11-22DS-2R26(05)	24	20
CL543-0662-4-05	DF11-24DS-2R26(05)	26	22
CL543-0663-7-05	DF11-26DS-2R26(05)	28	24
CL543-0664-0-05	DF11-28DS-2R26(05)	30	26
CL543-0665-2-05	DF11-30DS-2R26(05)	32	28
CL543-0666-5-05	DF11-32DS-2R26(05)	34	30

NOTES: 1 DIE CAVITY No.

2 NUMBER OF CONTACT.

3 AT CONTACT No.1 SIDE.

4 ONE SQUARE HOLE IN LOW ROW MEANS ODD NUMBER SIDE AND TWO SQUARE HOLES IN UPPER LOW EVEN NUMBER OF CONTACT No. RESPECTIVELY.

SUFFIX	WIRE	WIRE CONSTRUCTION	OUTER DIAMETER OF INSULATION
R26	UL1061 AWG26	7/0.16	0.95 TO 1.05

2	PHOSPHOR BRONZE	SURFACE: TIN PLATED 1μm min UNDER PLATING: NICKEL PLATED 0.5μm min							
1	POLYAMIDE	UL94V-0, BLACK							
NO. MATERIAL FINISH, REMARKS		NO. MATERIAL		FINISH, REMARKS		NO. MATERIAL		FINISH, REMARKS	
CODE NO. (OLD)		DRAWN		DESIGNED		CHECKED		APPROVED	
		A. Miura		N. Nishida		H. Tanaka		S. Oka	
		'06.02.22		'06.03.08		'06.03.10		'06.03.14	
DRAWING NO. ED03-071615-01		PART NO. DF11-*DS-2R26(05)		SCALE 5:1		UNITS mm		HRS HIROSE ELECTRIC CO., LTD	
		CODE NO. CL543							

TO

1 2 3 4 5 6 7 8

