



Chipsmall Limited consists of a professional team with an average of over 10 year of expertise in the distribution of electronic components. Based in Hongkong, we have already established firm and mutual-benefit business relationships with customers from,Europe,America and south Asia,supplying obsolete and hard-to-find components to meet their specific needs.

With the principle of “Quality Parts,Customers Priority,Honest Operation,and Considerate Service”,our business mainly focus on the distribution of electronic components. Line cards we deal with include Microchip,ALPS,ROHM,Xilinx,Pulse,ON,Everlight and Freescale. Main products comprise IC,Modules,Potentiometer,IC Socket,Relay,Connector.Our parts cover such applications as commercial,industrial, and automotives areas.

We are looking forward to setting up business relationship with you and hope to provide you with the best service and solution. Let us make a better world for our industry!



Contact us

Tel: +86-755-8981 8866 Fax: +86-755-8427 6832

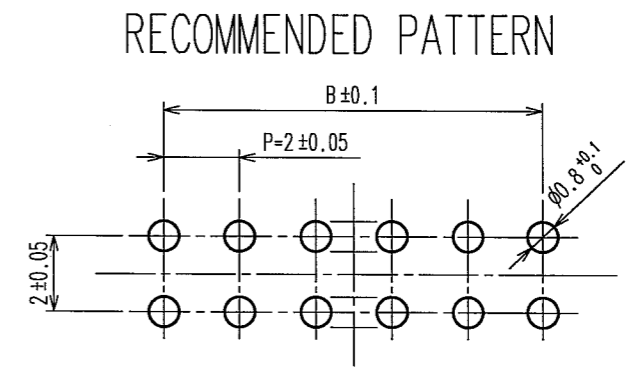
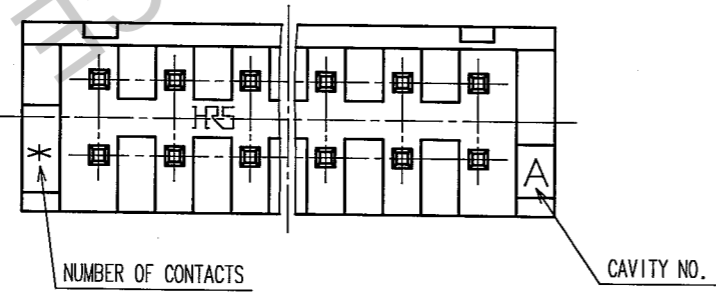
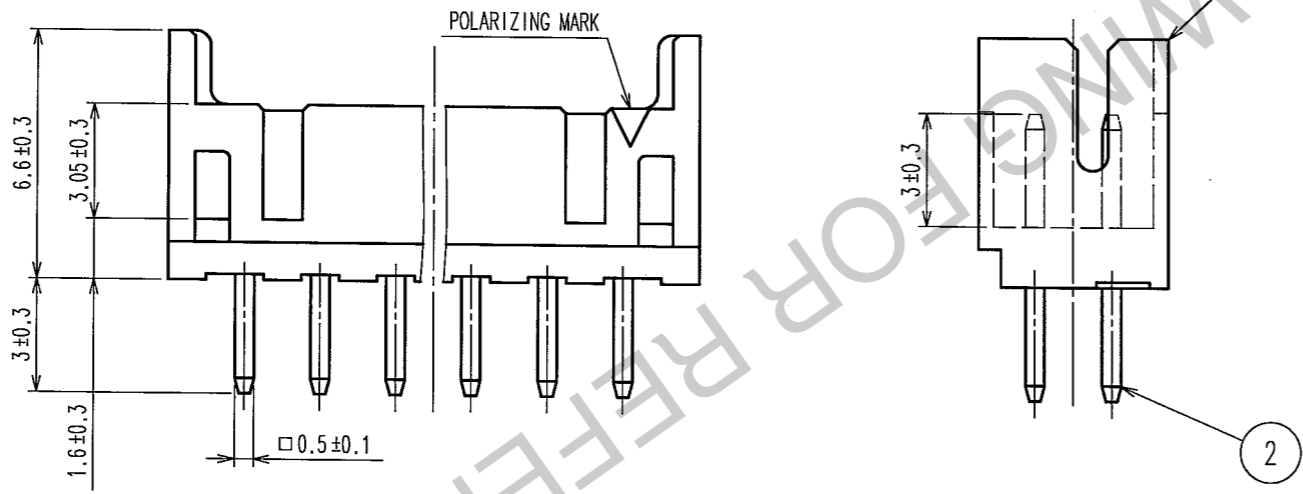
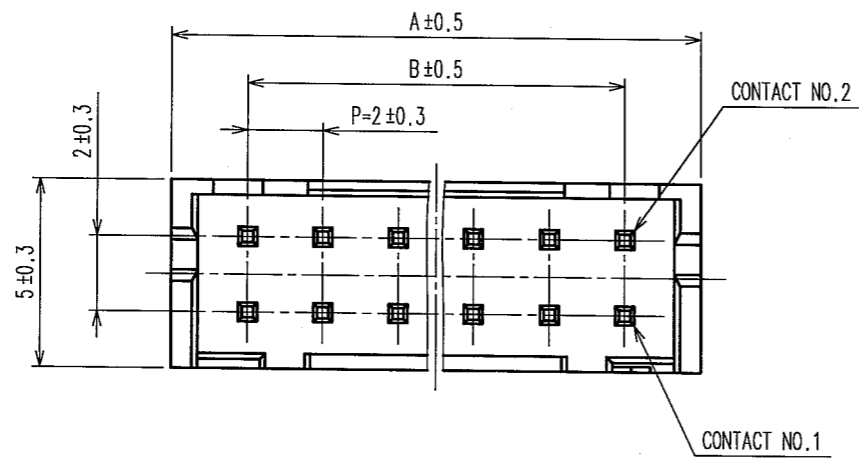
Email & Skype: info@chipsmall.com Web: www.chipsmall.com

Address: A1208, Overseas Decoration Building, #122 Zhenhua RD., Futian, Shenzhen, China



COUNT	DESCRIPTION OF REVISIONS	BY	CHKD	DATE	COUNT	DESCRIPTION OF REVISIONS	BY	CHKD	DATE
△					△				
△					△				
△					△				

HRS NO	PART NO	NUMBER OF CONTACT	A	B
CL543-0517-5-24	DF11- 4DP-2DSA (24)	4	6.0	2.0
CL543-0518-8-24	DF11- 6DP-2DSA (24)	6	8.0	4.0
CL543-0519-0-24	DF11- 8DP-2DSA (24)	8	10.0	6.0
CL543-0520-0-24	DF11-10DP-2DSA (24)	10	12.0	8.0
CL543-0521-2-24	DF11-12DP-2DSA (24)	12	14.0	10.0
CL543-0522-5-24	DF11-14DP-2DSA (24)	14	16.0	12.0
CL543-0523-8-24	DF11-16DP-2DSA (24)	16	18.0	14.0
CL543-0524-0-24	DF11-18DP-2DSA (24)	18	20.0	16.0
CL543-0525-3-24	DF11-20DP-2DSA (24)	20	22.0	18.0
CL543-0526-6-24	DF11-22DP-2DSA (24)	22	24.0	20.0
CL543-0527-9-24	DF11-24DP-2DSA (24)	24	26.0	22.0
CL543-0528-1-24	DF11-26DP-2DSA (24)	26	28.0	24.0
CL543-0529-4-24	DF11-28DP-2DSA (24)	28	30.0	26.0
CL543-0530-3-24	DF11-30DP-2DSA (24)	30	32.0	28.0
CL543-0531-6-24	DF11-32DP-2DSA (24)	32	34.0	30.0



2	BRASS	SURFACE: TIN PLATED 1μm min UNDER PLATING: NICKEL PLATED 0.5μm min	4	S. PVC	STOPPER, GRAY
1	POLYAMIDE	BLACK, UL94V-0	3	R. PVC	ELECTROSTATIC PROTECTION (CLEAR)
NO.	MATERIAL	FINISH, REMARKS	NO.	MATERIAL	FINISH, REMARKS

CODE NO. (OLD) CL	DRAWN M. MATSUO 05.08.01	DESIGNED <i>S. Denpouji</i> '05.08.11	CHECKED <i>H. Uehara</i> '05.08.11	APPROVED <i>T. Ota</i> '05.08.11	RELEASED
----------------------	--------------------------------	---	--	--	----------

SCALE 5 : 1	DRAWING NO. EDC3-162391-03	PART NO. DF11-*DP-2DSA(24)
UNITS mm	HRS HIROSE ELECTRIC CO., LTD	CODE NO. CL543-

TO

COUNT	DESCRIPTION OF REVISIONS	BY	CHKD	DATE	COUNT	DESCRIPTION OF REVISIONS	BY	CHKD	DATE
△				..	△				..
△				..	△				..
△				..	△				..

A

B

C

D

E

F

A

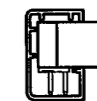
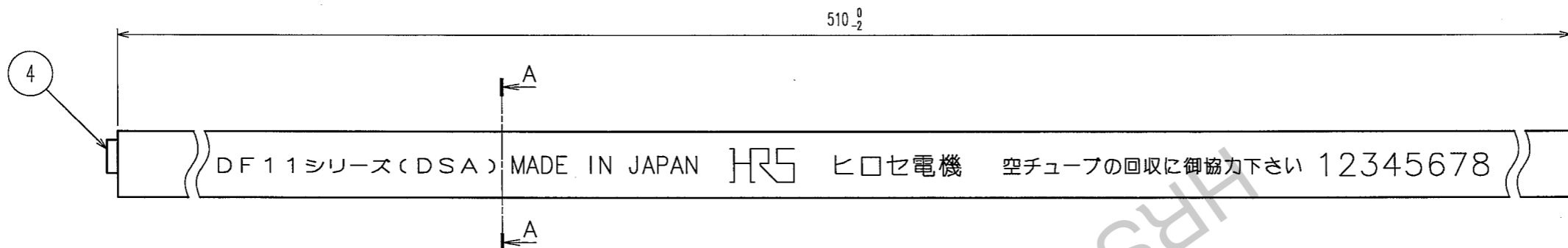
B

C

D

E

F



A-A(10:1)

7.5±0.3

3

11.9±0.3

PRINTED SURFACE

CODE No.	PART No.	NUMBER OF CONTACTS	QUANTITY OF CONNECTOR
CL543-0517-5-24	DF11- 4P-2DSA(24)	4	81
CL543-0518-8-24	DF11- 6P-2DSA(24)	6	61
CL543-0519-0-24	DF11- 8P-2DSA(24)	8	48
CL543-0520-0-24	DF11-10P-2DSA(24)	10	40
CL543-0521-2-24	DF11-12P-2DSA(24)	12	34
CL543-0522-5-24	DF11-14P-2DSA(24)	14	30
CL543-0523-8-24	DF11-16P-2DSA(24)	16	27
CL543-0524-0-24	DF11-18P-2DSA(24)	18	24
CL543-0525-3-24	DF11-20P-2DSA(24)	20	22
CL543-0526-6-24	DF11-22P-2DSA(24)	22	20
CL543-0527-9-24	DF11-24P-2DSA(24)	24	18
CL543-0528-1-24	DF11-26P-2DSA(24)	26	17
CL543-0529-4-24	DF11-28P-2DSA(24)	28	16
CL543-0530-3-24	DF11-30P-2DSA(24)	30	15
CL543-0531-6-24	DF11-32P-2DSA(24)	32	14

- NOTES 1.THE TUBE HAS ONE STOPPER AT EACH END.
 2.WARPAGE,BENT OF THE TUBE SHALL BE ALLOWED ±2mm PER 510mm.
 3.MINIMUM UNIT OF PURCHASE SHALL BE THE QUANTITY OF CONNECTORS IN TUBE.
 4.THE SUFFIX OF CODE No. SHALL BE '-24'.

TO

CODE NO.(OLD)	DRAWN M.MATSUO '05.08.01	DESIGNED <i>S. Denkawa</i> '05.08.11	CHECKED <i>H. Uchida</i> '05.08.11	APPROVED <i>J. Ona</i> '05.08.11	RELEASED ..
SCALE FR:EE	DRAWING NO. EDC3-162391-03		PART NO. DF11-*DP-2DSA(24)		
UNITS mm	HRS HIROSE ELECTRIC CO., LTD		CODE NO. CL543-		2