



Chipsmall Limited consists of a professional team with an average of over 10 year of expertise in the distribution of electronic components. Based in Hongkong, we have already established firm and mutual-benefit business relationships with customers from,Europe,America and south Asia,supplying obsolete and hard-to-find components to meet their specific needs.

With the principle of “Quality Parts,Customers Priority,Honest Operation,and Considerate Service”,our business mainly focus on the distribution of electronic components. Line cards we deal with include Microchip,ALPS,ROHM,Xilinx,Pulse,ON,Everlight and Freescale. Main products comprise IC,Modules,Potentiometer,IC Socket,Relay,Connector.Our parts cover such applications as commercial,industrial, and automotives areas.

We are looking forward to setting up business relationship with you and hope to provide you with the best service and solution. Let us make a better world for our industry!



Contact us

Tel: +86-755-8981 8866 Fax: +86-755-8427 6832

Email & Skype: info@chipsmall.com Web: www.chipsmall.com

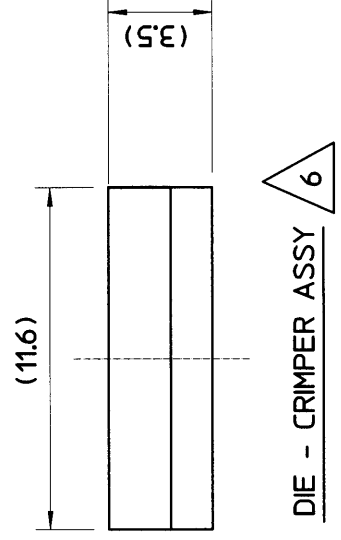
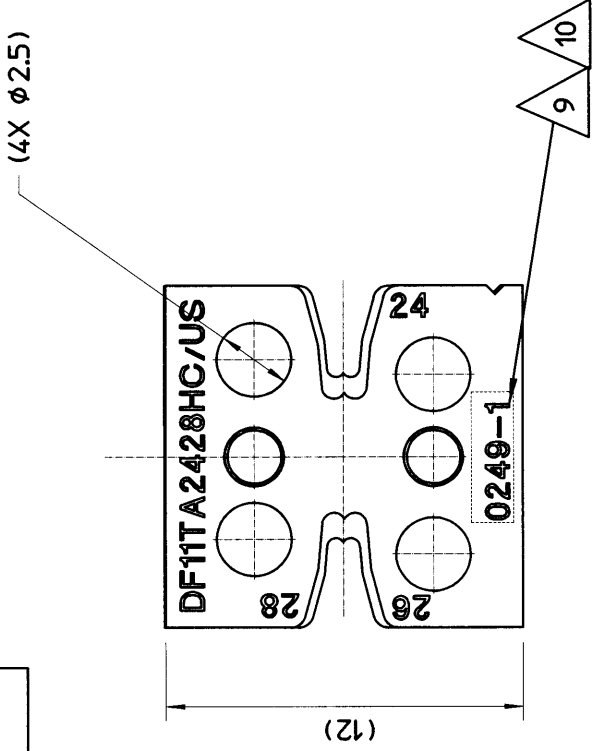
Address: A1208, Overseas Decoration Building, #122 Zhenhua RD., Futian, Shenzhen, China



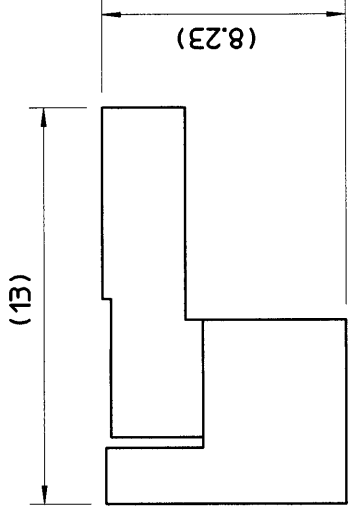
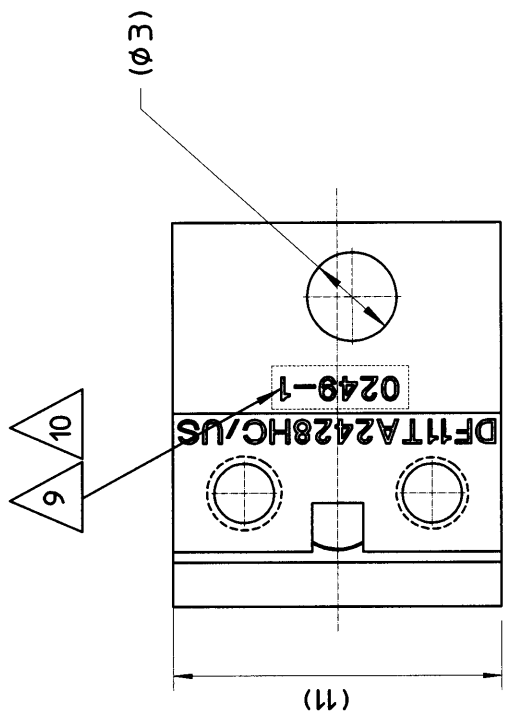
THE INFORMATION CONTAIN HEREIN IS PROPRIETARY TO HIROSE ELECTRIC (USA), INC. ALL RIGHTS THEREIN ARE RESERVED AND SHALL NOT BE USED, DUPLICATED, OR FURTHER DISSEMINATED FOR ANY PURPOSE WITHOUT THE CONSENT OF HIROSE ELECTRIC (USA), INC.

REVISIONS

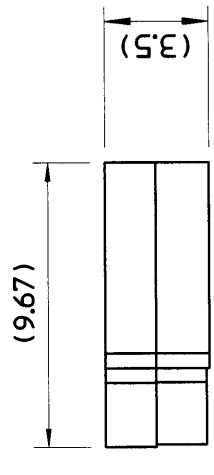
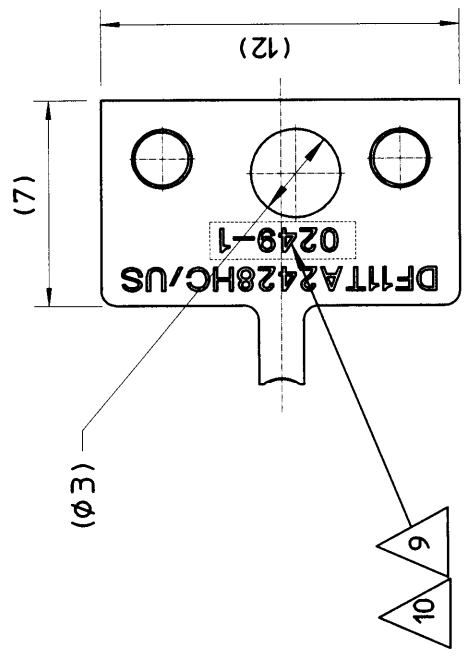
ZONE	REV.	DESCRIPTION	DATE	APPROVED
	N/R	NEW RELEASE	2/10/03	KMG
	A	REVISED PER DCN# 0872	5-19-03	A.S
	B	REVISED PER DCN# 0882	6/18/03	M.N



DIE - CRIMPER ASSY 6



DIE - CONTACT HOLDER ASSY 6



DIE - ANVIL ASSY 6



11. PACKAGING: CARDBOARD BOX, SIZE 203mm X 76mm X 51mm (8" X 3" X 2").
 10. ALL THREE (3) DIES ARE SOLD AS MATCHING ASSEMBLY ONLY, AND TO BE MARKED WITH THE SAME DATE CODE.

9. DATE CODE AND SET No.; SEE EXAMPLE FOR EXPLANATION.
 8. PART/No. DF11-TA2428HC/US-DS TO BE PURCHASED AS A SET ONLY.
 7. RECOMMENDED NUMBER OF CRIMPING CYCLES - 15,000.
 6. FOR ASSEMBLY, INSTALLATION AND OPERATION OF THIS DIE SET REFER TO INSTRUCTION MANUAL P/No. PS077.

5. THIS DIE SET RECOMMENDED TO BE USED ONLY WITH APPLICABLE HAND CRIMP TOOL, P/No. HRUS-HT-1, TO CRIMP SOCKET TERMINAL, P/No. DF11-2428SC/SCA.
 4. APPLICABLE WIRE STYLE: UL 1007, AWG 24, 26 AND 28.

3. MATERIAL AND FINISHES:
 DIES, ANVILS, CONTACT STOPPER, SPACER BLOCK AND STOPPER PIN- TOOL STEEL.
 2. DIMENSIONS IN () ARE FOR REFERENCE ONLY

1. DIMENSIONING AND TOLERANCING PER ANSI/ASME Y14.5M-1994
 NOTES (UNLESS OTHERWISE SPECIFIED)

CUSTOMER USE DRAWING

FROM NO. 0AG18 <small>THIRD ANGLE PROJECTION</small> 	<small>UNLESS OTHERWISE SPECIFIED DIMENSIONS ARE IN MILLIMETERS TOLERANCES ARE</small> X = ±0.1 .XX = ±0.05 .XXX = ±0.03 ANGLE = ±1°	APPROVALS DATE: 02/06/03 02/06/03 02/07/03 02/10/03	
		Designer: Luis Lostaunau Checker: Alla Shchur Name: Mac Nagashima Name: Kris McGuire	CL NUMBER: 5920-8501-2 SIZE: B DWG NUMBER: DF11-TA2428HC/US-DS REV: B
HRS HIROSE ELECTRIC (U.S.A), INC SIMI VALLEY, CALIFORNIA 93065 PART NUMBER: DF11-TA2428HC/US-DS		SCALE: N/A SHEET: 1 OF 1	DATABASE: DF11-TA2428HC-US-DS