



Chipsmall Limited consists of a professional team with an average of over 10 year of expertise in the distribution of electronic components. Based in Hongkong, we have already established firm and mutual-benefit business relationships with customers from,Europe,America and south Asia,supplying obsolete and hard-to-find components to meet their specific needs.

With the principle of “Quality Parts,Customers Priority,Honest Operation,and Considerate Service”,our business mainly focus on the distribution of electronic components. Line cards we deal with include Microchip,ALPS,ROHM,Xilinx,Pulse,ON,Everlight and Freescale. Main products comprise IC,Modules,Potentiometer,IC Socket,Relay,Connector.Our parts cover such applications as commercial,industrial, and automotives areas.

We are looking forward to setting up business relationship with you and hope to provide you with the best service and solution. Let us make a better world for our industry!



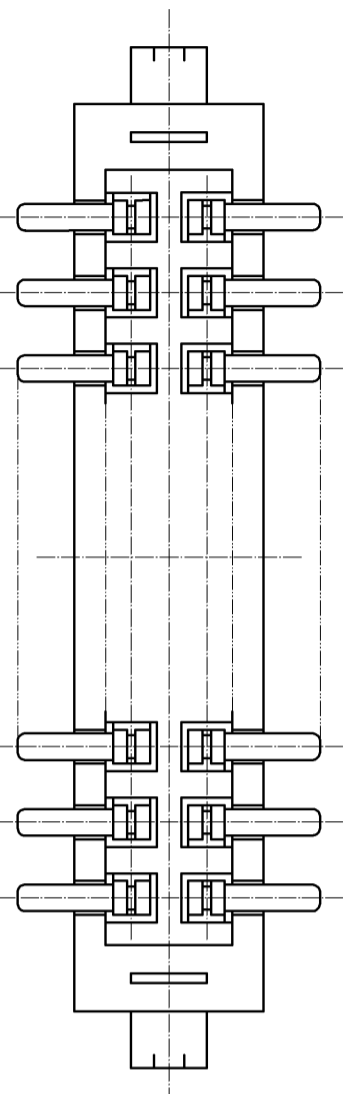
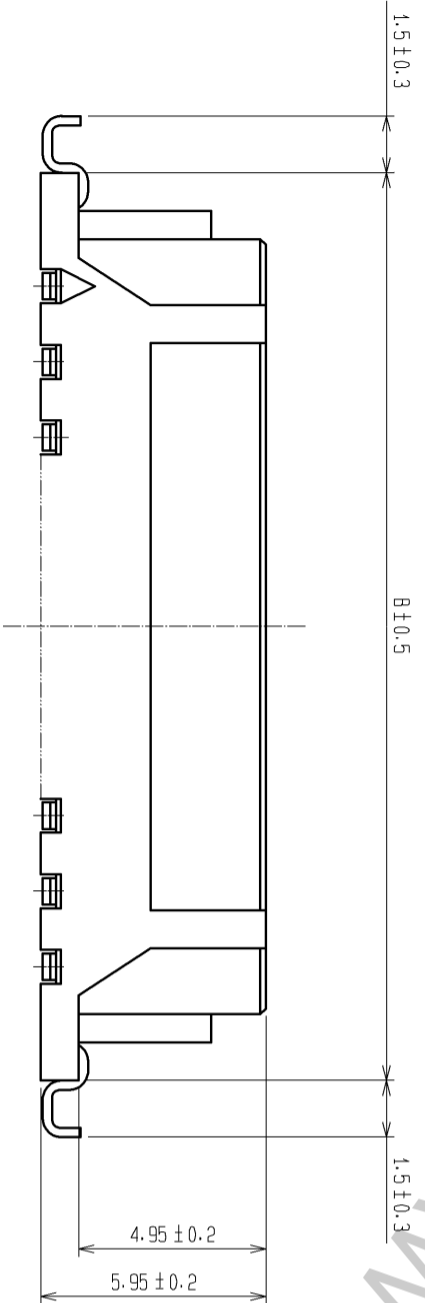
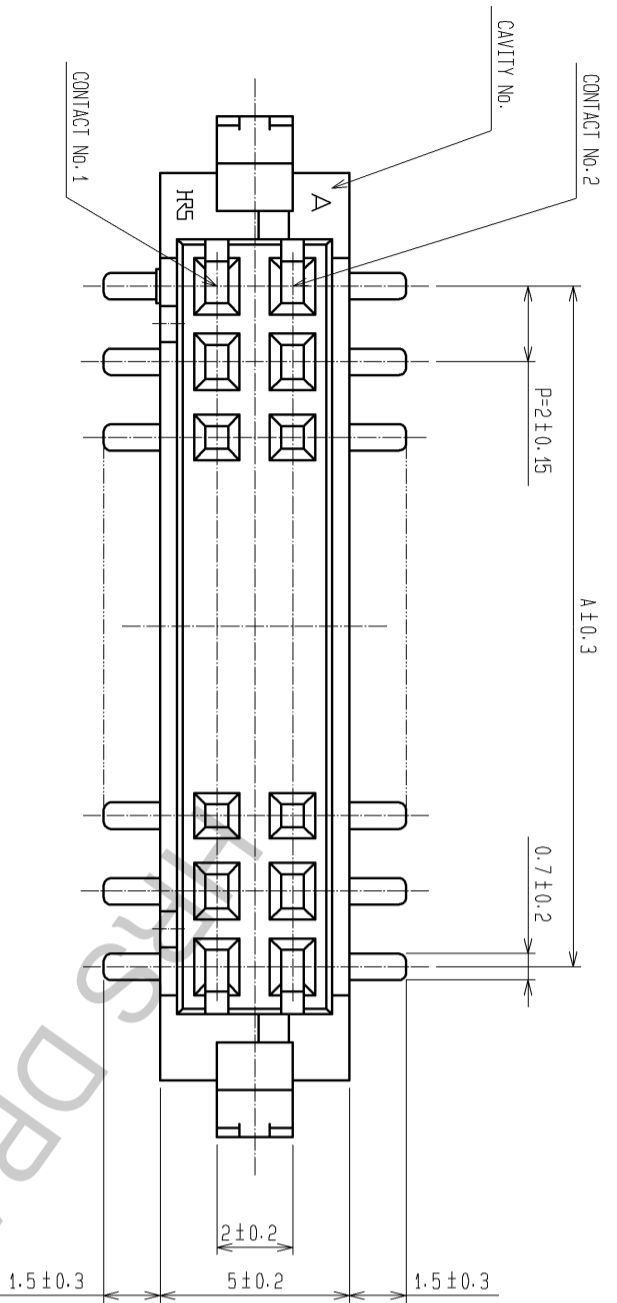
## Contact us

Tel: +86-755-8981 8866 Fax: +86-755-8427 6832

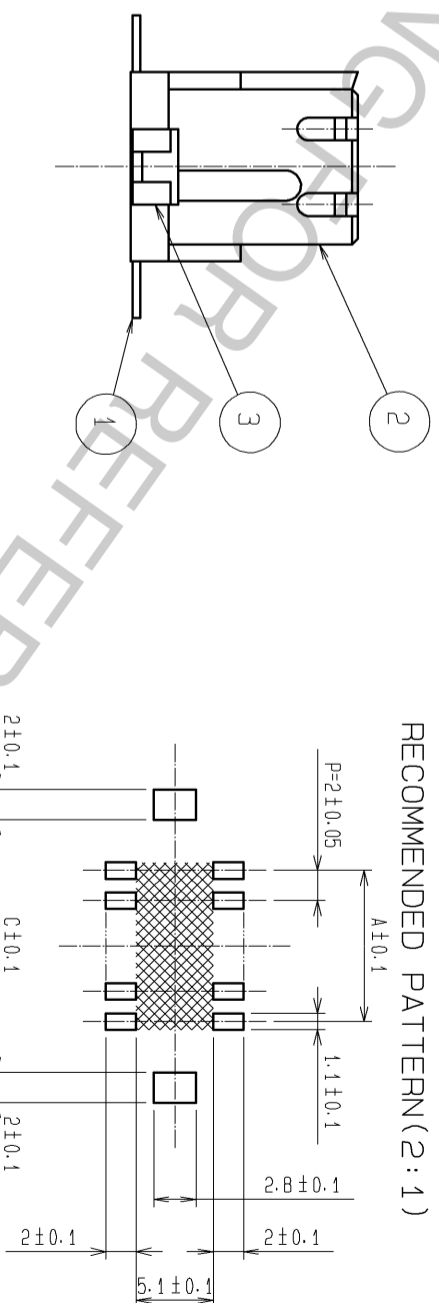
Email & Skype: info@chipsmall.com Web: www.chipsmall.com

Address: A1208, Overseas Decoration Building, #122 Zhenhua RD., Futian, Shenzhen, China





CODE NO.	PART NO.	NUMBER OF CONTACT	A	B	C
CL543-2063-0-22	DF11CZ-40S-2V(22)	4	2.0	8.5	8.7
CL543-2064-3-22	DF11CZ-60S-2V(22)	6	4.0	10.5	10.7
CL543-2065-6-22	DF11CZ-80S-2V(22)	8	6.0	12.5	12.7
CL543-2066-9-22	DF11CZ-100S-2V(22)	10	8.0	14.5	14.7
CL543-2067-1-22	DF11CZ-120S-2V(22)	12	10.0	16.5	16.7
CL543-2068-4-22	DF11CZ-140S-2V(22)	14	12.0	18.5	18.7
CL543-2069-7-22	DF11CZ-160S-2V(22)	16	14.0	20.5	20.7
CL543-2070-6-22	DF11CZ-180S-2V(22)	18	16.0	22.5	22.7
CL543-2071-9-22	DF11CZ-200S-2V(22)	20	18.0	24.5	24.7
CL543-2072-1-22	DF11CZ-220S-2V(22)	22	20.0	26.5	26.7
CL543-2073-4-22	DF11CZ-240S-2V(22)	24	22.0	28.5	28.7
CL543-2074-7-22	DF11CZ-260S-2V(22)	26	24.0	30.5	30.7
CL543-2075-0-22	DF11CZ-280S-2V(22)	28	26.0	32.5	32.7
CL543-2076-2-22	DF11CZ-300S-2V(22)	30	28.0	34.5	34.7
CL543-2078-8-22	DF11CZ-400S-2V(22)	40	38.0	44.5	44.7



RECOMMENDED PATTERN(2:1)

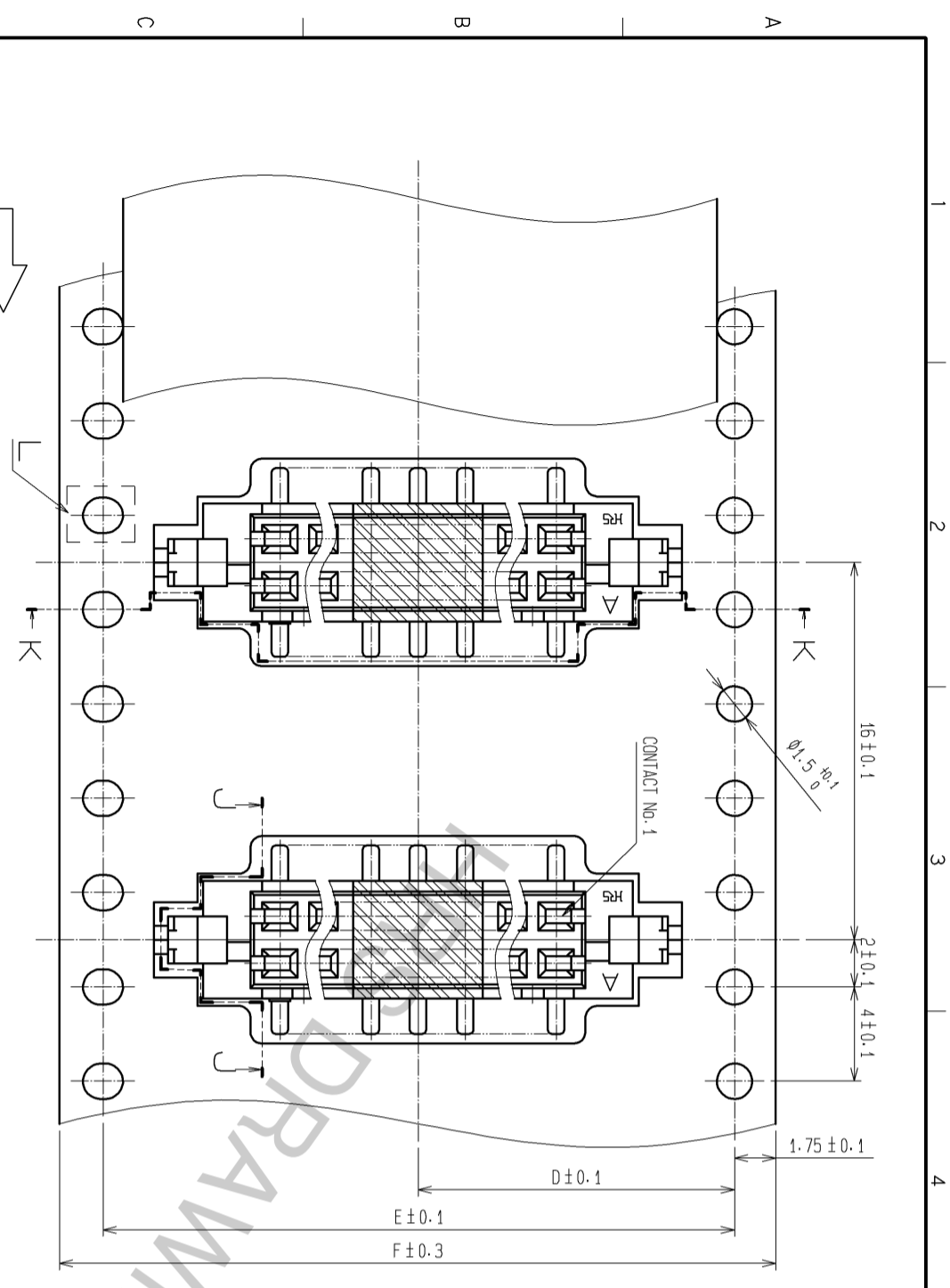
NOTES **1** IF THERE IS PATTERN ON PART, THERE IS A POSSIBILITY THAT IT WILL MAKE CONTACT WITH THE LEADS.  
**2** LEAD CO-PLANARITY INCLUDE REINFORCED METAL FITTINGS SHALL BE 0.1mm MAX.

NO.	MATERIAL	FINISH	REMARKS	NO.	MATERIAL	FINISH	REMARKS
3	BRASS	TIN PLATED 1μm min.		6	POLYAMIDE	BROWN(HEAT-RESISTANCE TAPE)	
2	POLYAMIDE	UL94V-0,NATURAL (BEIGE)		5	POLYESTER	CLEAR(COVER TAPE)	
1	PHOSPHOR BRONZE	TIN PLATED 2μm min.		4	SH	CLEAR(EMBOSSED CARRIER TAPE)	

UNITS	SCALE	COUNT	DESCRIPTION OF REVISIONS	DESIGNED	CHECKED	DATE
mm	5:1					

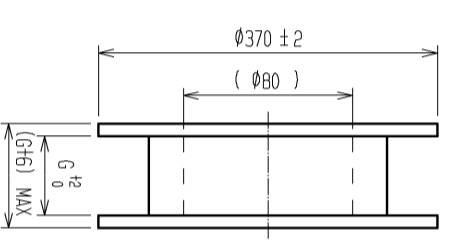
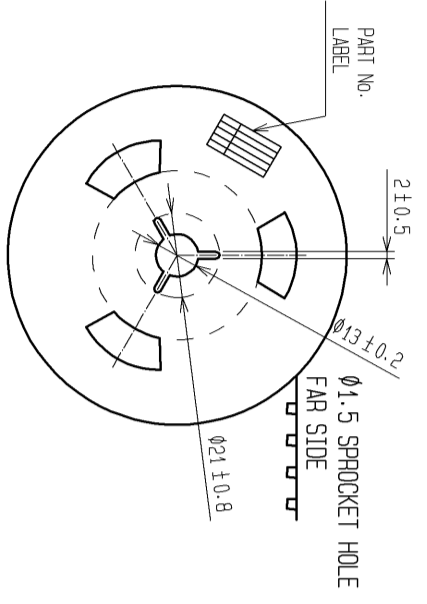
**HRS**  
 HIROSE ELECTRIC CO., LTD.

APPROVED : TS. SAKATA	09.06.03	DRAWING NO.	EDC3-314124-01
CHECKED : TS. FUKUSHIMA	09.06.03	PART NO.	DF11CZ-*DS-2V(22)
DESIGNED : TH. YOSHIZAWA	09.06.02	CODE NO.	CL543-
DRAWN : YK. NAKATSU	09.05.28		



IRECTION OF UNREELING

STYLE AND DIMENSION OF REEL



5>DETAIL OF PART NO. LABEL

生産月日	年	月	日
☑番	CL543-*****-22		
品名	DF11CZ-*DS-2V(22)		
納入数量	500KO		
納入者	ヒロセ電機株式会社		

SUPPLIER  
QUANTITY  
PART NO.  
CODE NO.  
DATE OF MANUFACTURED

NOTES 3 : 1 REEL:500 CONNECTORS.

4 : AT THE BEGINNING OF THE REEL, 15 COMPONENTS SHALL BE EMPTY. AT THE END OF THE REEL, 10 COMPONENTS SHALL BE EMPTY.

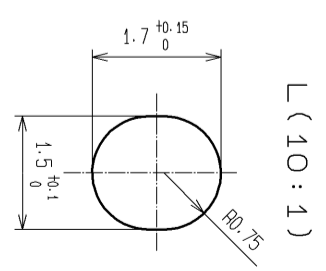
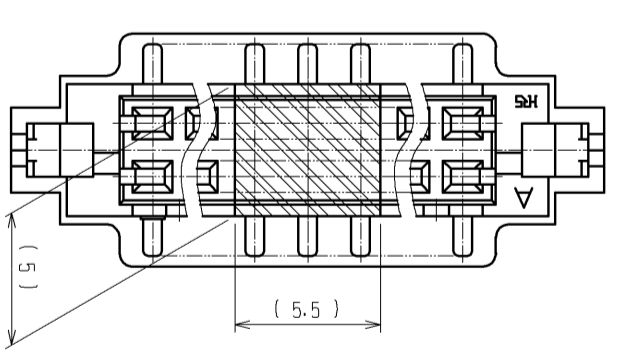
5>:DETAIL OF PART NO. LABEL IS WRITTEN IN JAPANESE.

6 : THE REEL IS POLYETHYLENE PACKAGED WITH AN DRY AGENT INSIDE FOR MOISTURE-PROOF PACKAGING.

7 : FOR THE STORAGE OF 168 HOURS OR MORE AFTER OPENING THE PACKAGE, KEEP THE PRODUCTS UNDER MOISTURE PROOF CONDITIONS.

8 : EXCEPT ON THE MATING SURFACE, COMPONENT INFLATION DOES NOT AFFECT THE PRODUCTS PERFORMANCE.

POSITION IN WHICH HEAT-RESISTANCE TAPE IS PUT



CODE NO.	PART NO.	NUMBER OF CONTACT	D	E	F	G	H
CL543-2063-0-22	DF11CZ-40S-2V(22)	4	11.5	-	24	24.4	PS
CL543-2064-3-22	DF11CZ-60S-2V(22)	6	11.5	-	24	24.4	PS
CL543-2065-6-22	DF11CZ-80S-2V(22)	8	11.5	-	24	24.4	PS
CL543-2066-9-22	DF11CZ-100S-2V(22)	10	14.2	28.4	32	32.4	PS
CL543-2067-1-22	DF11CZ-120S-2V(22)	12	14.2	28.4	32	32.4	PS
CL543-2068-4-22	DF11CZ-140S-2V(22)	14	20.2	40.4	44	44.4	PS
CL543-2069-7-22	DF11CZ-160S-2V(22)	16	20.2	40.4	44	44.4	PS
CL543-2070-6-22	DF11CZ-180S-2V(22)	18	20.2	40.4	44	44.4	PS
CL543-2071-9-22	DF11CZ-200S-2V(22)	20	26.2	52.4	56	56.4	PS
CL543-2072-1-22	DF11CZ-220S-2V(22)	22	20.2	40.4	44	44.4	PS
CL543-2073-4-22	DF11CZ-240S-2V(22)	24	26.2	52.4	56	56.4	A-PET
CL543-2074-7-22	DF11CZ-260S-2V(22)	26	26.2	52.4	56	56.4	PS
CL543-2075-0-22	DF11CZ-280S-2V(22)	28	26.2	52.4	56	56.4	PS
CL543-2076-2-22	DF11CZ-300S-2V(22)	30	26.2	52.4	56	56.4	PS
CL543-2078-8-22	DF11CZ-400S-2V(22)	40	34.2	68.4	72	72.4	PS

**HRS**

DRAWING NO.	EDC3-314124-01
PART NO.	DF11CZ-*DS-2V(22)
CODE	CL543-