



Chipsmall Limited consists of a professional team with an average of over 10 year of expertise in the distribution of electronic components. Based in Hongkong, we have already established firm and mutual-benefit business relationships with customers from,Europe,America and south Asia,supplying obsolete and hard-to-find components to meet their specific needs.

With the principle of "Quality Parts,Customers Priority,Honest Operation,and Considerate Service",our business mainly focus on the distribution of electronic components. Line cards we deal with include Microchip,ALPS,ROHM,Xilinx,Pulse,ON,Everlight and Freescale. Main products comprise IC,Modules,Potentiometer,IC Socket,Relay,Connector.Our parts cover such applications as commercial,industrial, and automotives areas.

We are looking forward to setting up business relationship with you and hope to provide you with the best service and solution. Let us make a better world for our industry!



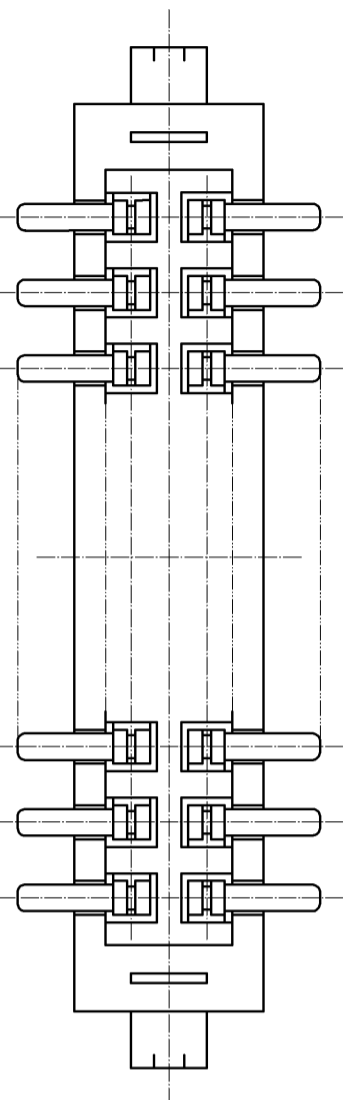
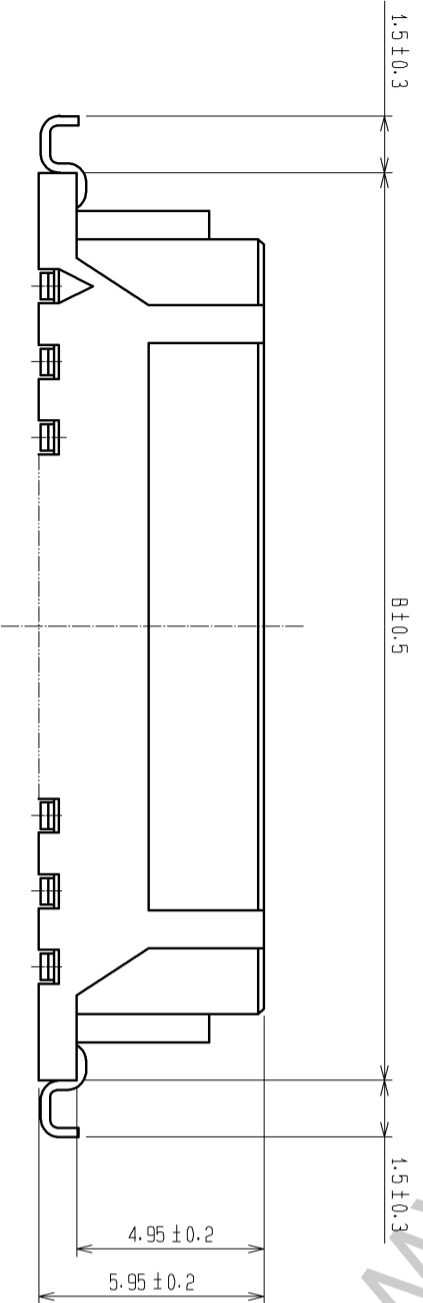
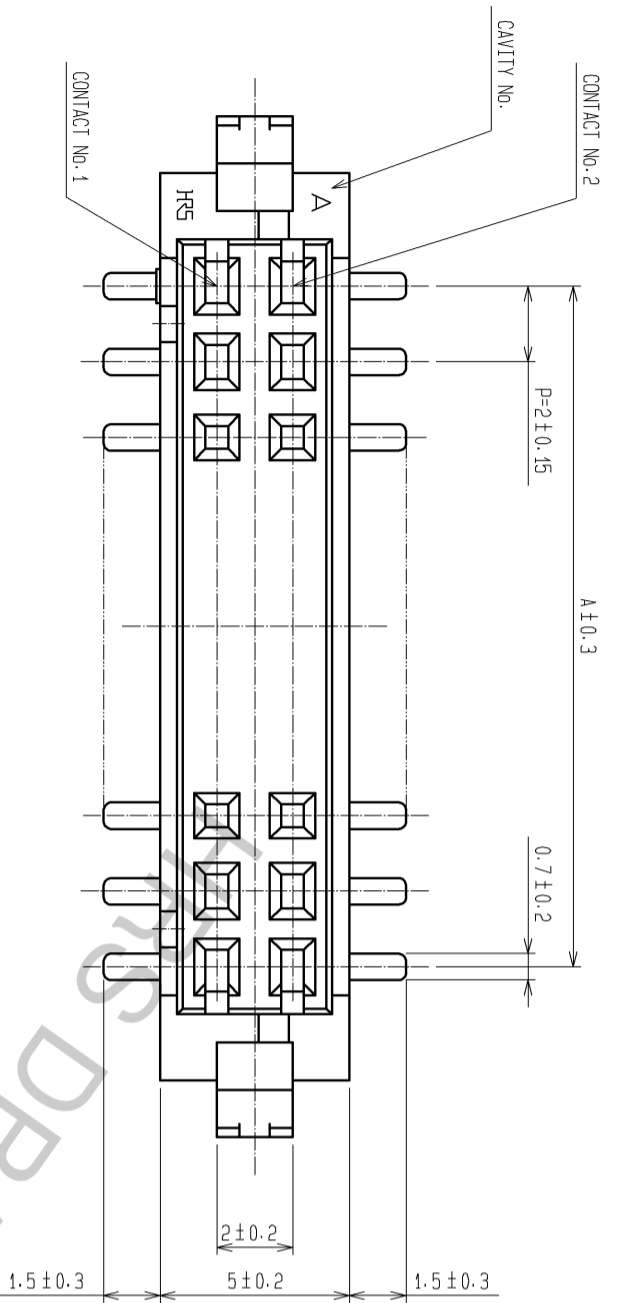
Contact us

Tel: +86-755-8981 8866 Fax: +86-755-8427 6832

Email & Skype: info@chipsmall.com Web: www.chipsmall.com

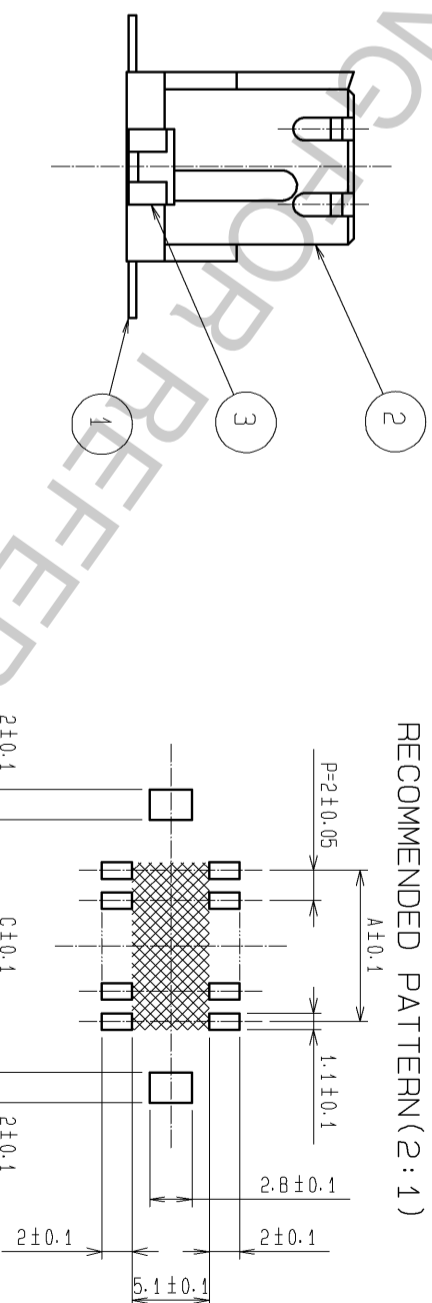
Address: A1208, Overseas Decoration Building, #122 Zhenhua RD., Futian, Shenzhen, China





CODE No.	PART No.	NUMBER OF CONTACT	A	B	C
CL0543-2063-0-52	DF11CZ-4DS-2V(52)	4	2.0	8.5	8.7
CL0543-2064-3-52	DF11CZ-6DS-2V(52)	6	4.0	10.5	10.7
CL0543-2065-6-52	DF11CZ-8DS-2V(52)	8	6.0	12.5	12.7
CL0543-2066-9-52	DF11CZ-10DS-2V(52)	10	8.0	14.5	14.7
CL0543-2067-1-52	DF11CZ-12DS-2V(52)	12	10.0	16.5	16.7
CL0543-2068-4-52	DF11CZ-14DS-2V(52)	14	12.0	18.5	18.7
CL0543-2069-7-52	DF11CZ-16DS-2V(52)	16	14.0	20.5	20.7
CL0543-2070-6-52	DF11CZ-18DS-2V(52)	18	16.0	22.5	22.7
CL0543-2071-9-52	DF11CZ-20DS-2V(52)	20	18.0	24.5	24.7
CL0543-2072-1-52	DF11CZ-22DS-2V(52)	22	20.0	26.5	26.7
CL0543-2073-4-52	DF11CZ-24DS-2V(52)	24	22.0	28.5	28.7
CL0543-2074-7-52	DF11CZ-26DS-2V(52)	26	24.0	30.5	30.7
CL0543-2075-0-52	DF11CZ-28DS-2V(52)	28	26.0	32.5	32.7
CL0543-2076-2-52	DF11CZ-30DS-2V(52)	30	28.0	34.5	34.7
CL0543-2078-8-52	DF11CZ-40DS-2V(52)	40	38.0	44.5	44.7

RECOMMENDED PATTERN(2:1)



RECOMMENDED METAL MASK
THICKNESS: 0.15 TO 0.2mm
OPENING RATIO: 100%

- NOTES
- IF THERE IS PATTERN ON PART, THERE IS A POSSIBILITY THAT IT WILL MAKE CONTACT WITH THE LEADS.
 - LEAD CO-PLANARITY INCLUDE REINFORCED METAL FITTINGS SHALL BE 0.1mm MAX.

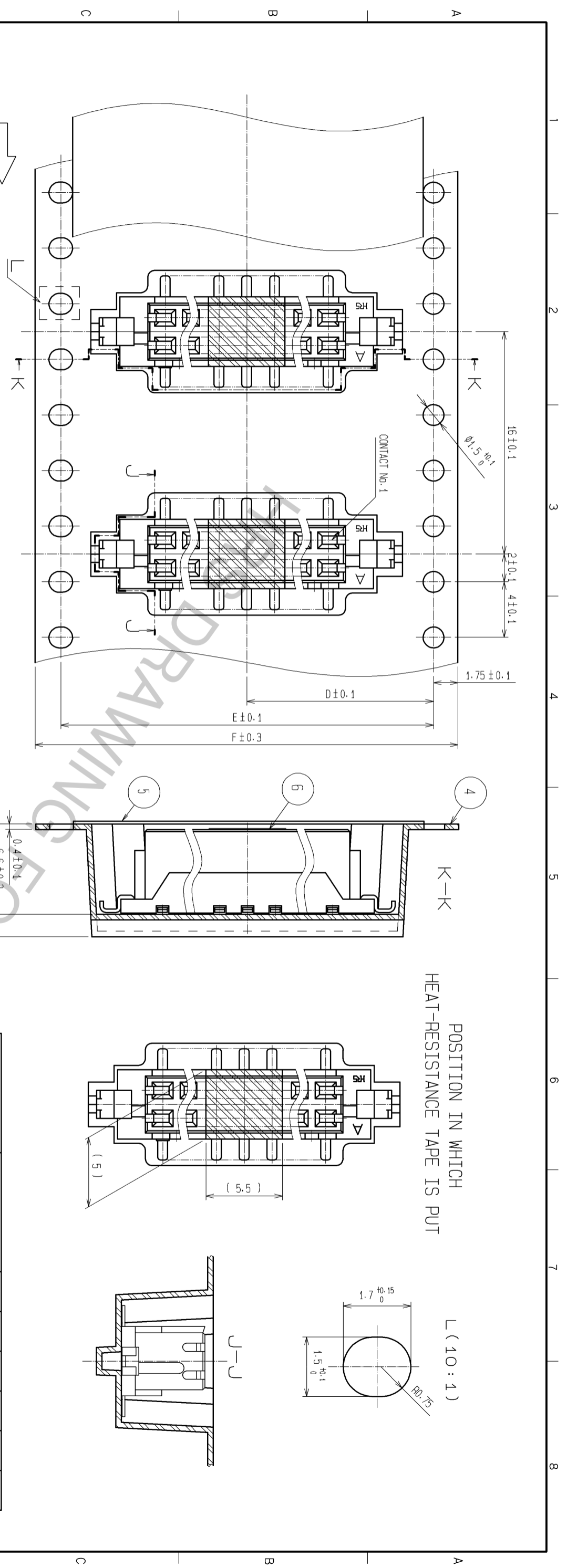
NO.	MATERIAL	FINISH	REMARKS	NO.	MATERIAL	FINISH	REMARKS
2	POLYAMIDE		UL94V-0. NATURAL (BEIGE)	6	POLYAMIDE		BROWN(HEAT-RESISTANCE TAPE)
1	PHOSPHOR BRONZE		CONTACT AREA : GOLD PLATED 0.2µm min. LEAD AREA : TIN PLATED 2µm min. UNDER PLATING: NICKEL PLATED 1µm min.	5	POLYESTER		CLEAR(COVER TAPE)
				4	S>H		CLEAR(EMBOSSED CARRIER TAPE)
				3	BRASS		TIN PLATED 1µm min.

UNITS	SCALE	COUNT	DESCRIPTION OF REVISIONS	DESIGNED	CHECKED	DATE
mm	5 : 1					

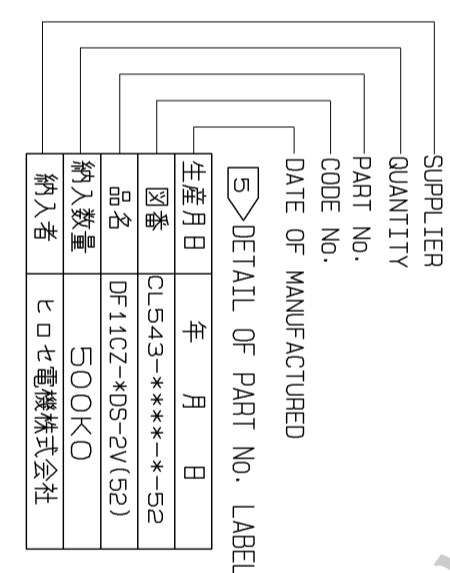
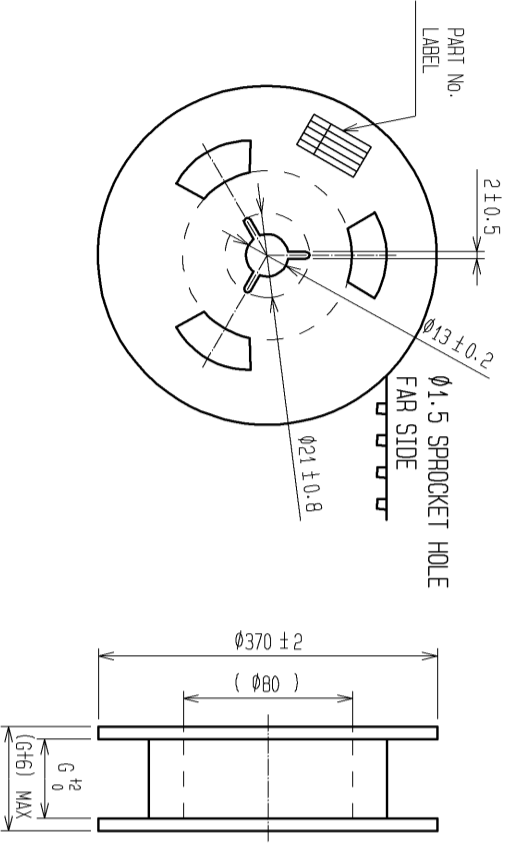
APPROVED : TS. SAKATA	09.12.16	DRAWING NO.	EDC3-328653-00
CHECKED : TS. FUKUSHIMA	09.12.15	PART NO.	DF11CZ-*DS-2V(52)
DESIGNED : TH. YOSHIZAWA	09.12.15	CODE	CL543-
DRAWN : YK. NAKATSU	09.12.15	NO.	

HRS

HIROSE ELECTRIC CO., LTD.



STYLE AND DIMENSION OF REEL



CODE NO.	PART NO.	NUMBER OF CONTACT	D	E	F	G	H
CI0543-2063-0-52	DF11CZ-40S-2V(52)	4	11.5	-	24	24.4	PS
CI0543-2064-3-52	DF11CZ-60S-2V(52)	6	11.5	-	24	24.4	PS
CI0543-2065-6-52	DF11CZ-80S-2V(52)	8	11.5	-	24	24.4	PS
CI0543-2066-9-52	DF11CZ-100S-2V(52)	10	14.2	28.4	32	32.4	PS
CI0543-2067-1-52	DF11CZ-120S-2V(52)	12	14.2	28.4	32	32.4	PS
CI0543-2068-4-52	DF11CZ-140S-2V(52)	14	20.2	40.4	44	44.4	PS
CI0543-2069-7-52	DF11CZ-160S-2V(52)	16	20.2	40.4	44	44.4	PS
CI0543-2070-6-52	DF11CZ-180S-2V(52)	18	20.2	40.4	44	44.4	PS
CI0543-2071-9-52	DF11CZ-200S-2V(52)	20	26.2	52.4	56	56.4	PS
CI0543-2072-1-52	DF11CZ-220S-2V(52)	22	20.2	40.4	44	44.4	PS
CI0543-2073-4-52	DF11CZ-240S-2V(52)	24	26.2	52.4	56	56.4	A-PET
CI0543-2074-7-52	DF11CZ-260S-2V(52)	26	26.2	52.4	56	56.4	PS
CI0543-2075-0-52	DF11CZ-280S-2V(52)	28	26.2	52.4	56	56.4	PS
CI0543-2076-2-52	DF11CZ-300S-2V(52)	30	26.2	52.4	56	56.4	PS
CI0543-2078-8-52	DF11CZ-400S-2V(52)	40	34.2	68.4	72	72.4	PS

NOTES 3 : 1 REEL:500 CONNECTORS.
 4 : AT THE BEGINNING OF THE REEL, 15 COMPONENTS SHALL BE EMPTY.
 AT THE END OF THE REEL, 10 COMPONENTS SHALL BE EMPTY.

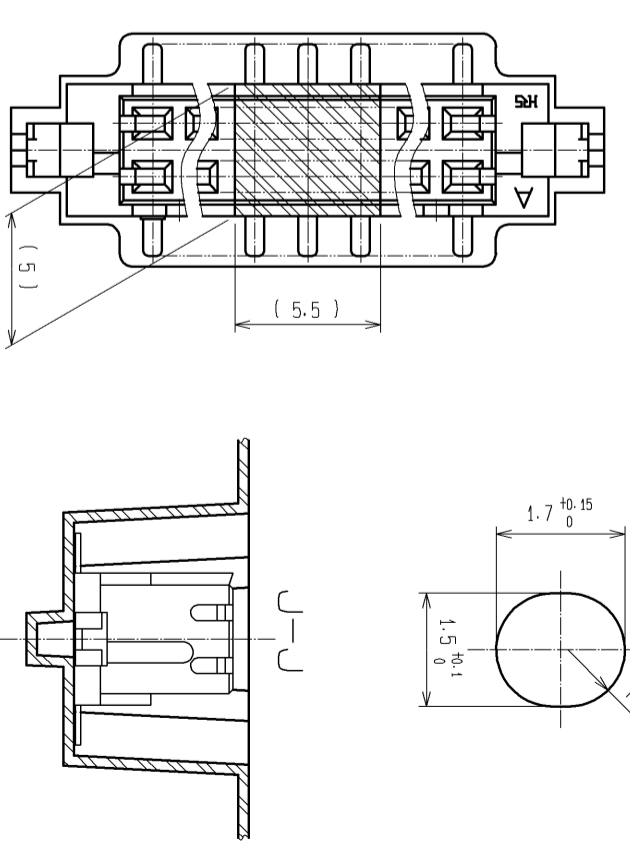
5 :DETAIL OF PART NO. LABEL IS WRITTEN IN JAPANESE.

6 :THE REEL IS POLYETHYLENE PACKAGED WITH AN DRY AGENT INSIDE FOR MOISTURE-PROOF PACKAGING.

7 :FOR THE STORAGE OF 168 HOURS OR MORE AFTER OPENING THE PACKAGE, KEEP THE PRODUCTS UNDER MOISTURE PROOF CONDITIONS.

8 :EXCEPT ON THE MATING SURFACE, COMPONENT INFLATION DOES NOT AFFECT THE PRODUCTS PERFORMANCE.

POSITION IN WHICH HEAT-RESISTANCE TAPE IS PUT L (10:1)



HRS

DRAWING NO. EDC3-328653-00
 PART NO. DF11CZ-*DS-2V(52)
 CODE CL543-