



Chipsmall Limited consists of a professional team with an average of over 10 year of expertise in the distribution of electronic components. Based in Hongkong, we have already established firm and mutual-benefit business relationships with customers from,Europe,America and south Asia,supplying obsolete and hard-to-find components to meet their specific needs.

With the principle of “Quality Parts,Customers Priority,Honest Operation,and Considerate Service”,our business mainly focus on the distribution of electronic components. Line cards we deal with include Microchip,ALPS,ROHM,Xilinx,Pulse,ON,Everlight and Freescale. Main products comprise IC,Modules,Potentiometer,IC Socket,Relay,Connector.Our parts cover such applications as commercial,industrial, and automotives areas.

We are looking forward to setting up business relationship with you and hope to provide you with the best service and solution. Let us make a better world for our industry!



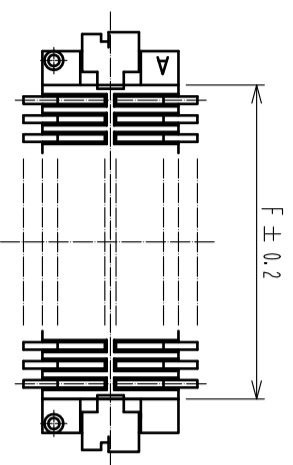
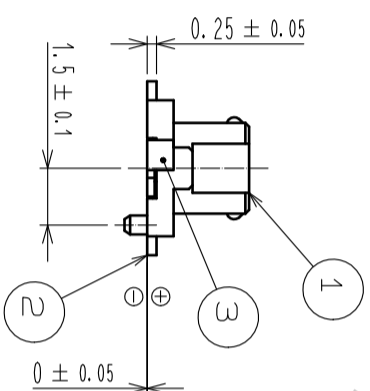
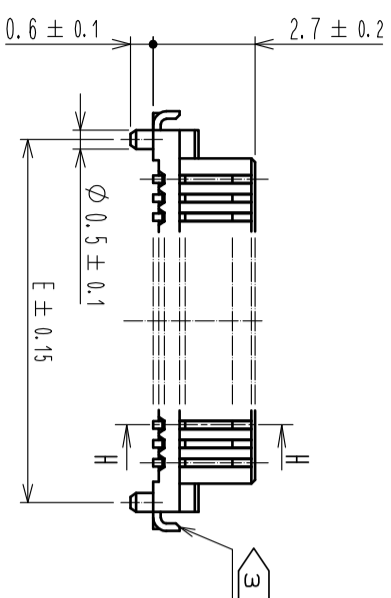
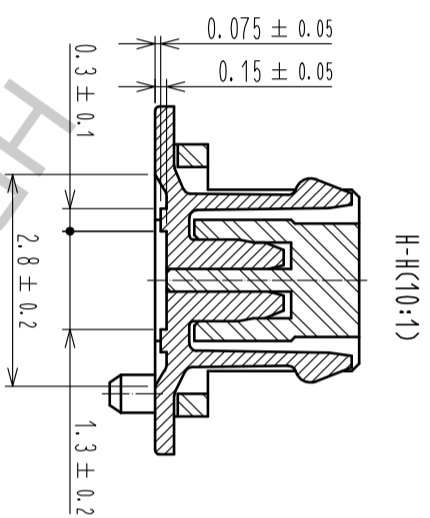
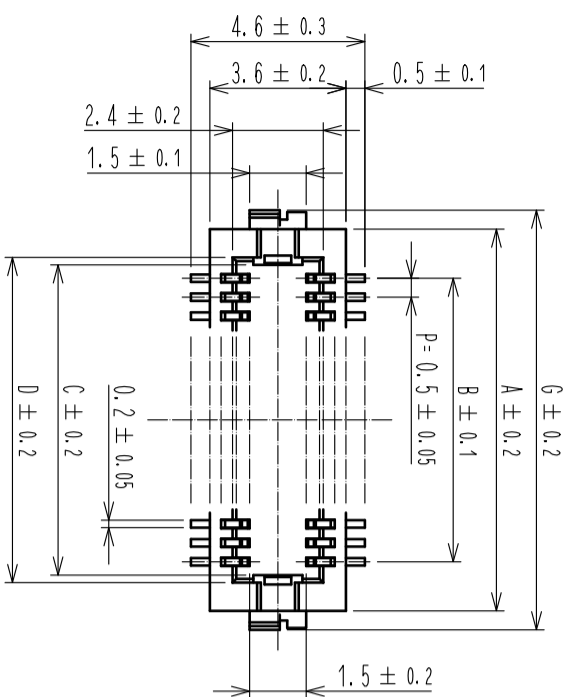
Contact us

Tel: +86-755-8981 8866 Fax: +86-755-8427 6832

Email & Skype: info@chipsmall.com Web: www.chipsmall.com

Address: A1208, Overseas Decoration Building, #122 Zhenhua RD., Futian, Shenzhen, China

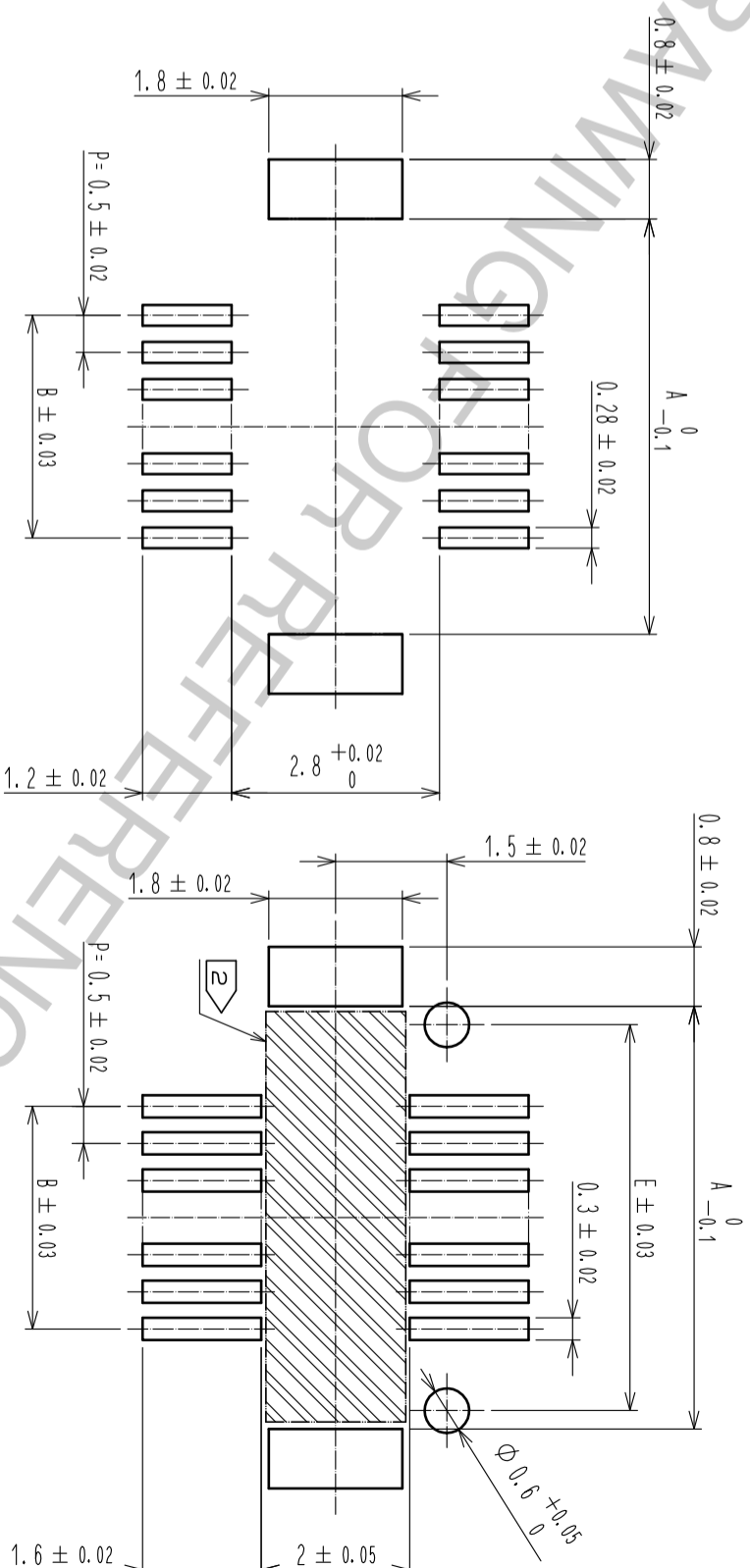




| CODE NO. | CONTACT | A | B | C | D | E | F | G |
|-----------------|---------|------|------|------|------|------|------|------|
| CL537-0003-6-86 | 20 | 7.1 | 4.5 | 5.2 | 5.6 | 6.6 | 5.3 | 8.1 |
| CL537-0005-1-86 | 30 | 9.6 | 7.0 | 7.7 | 8.1 | 9.1 | 7.8 | 10.6 |
| CL537-0012-7-86 | 32 | 10.1 | 7.5 | 8.2 | 8.6 | 9.6 | 8.3 | 11.1 |
| CL537-0006-4-86 | 36 | 11.1 | 8.5 | 9.2 | 9.6 | 10.6 | 9.3 | 12.1 |
| CL537-0007-7-86 | 40 | 12.1 | 9.5 | 10.2 | 10.6 | 11.6 | 10.3 | 13.1 |
| CL537-0009-2-86 | 50 | 14.6 | 12.0 | 12.7 | 13.1 | 14.1 | 12.8 | 15.6 |
| CL537-0011-4-86 | 60 | 17.1 | 14.5 | 15.2 | 15.6 | 16.6 | 15.3 | 18.1 |

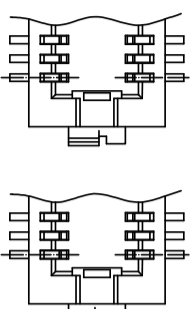
RECOMMEND METAL MASK PATTERN (10:1)

RECOMMENDED LAND PATTERN (10:1)



RECOMMENDED THICKNESS OF SOLDER PASTE : 120 μm

- NOTES
- LEAD CO-PLANARITY SHALL BE 0.08 mm MAX.
 - IF THERE IS PATTERN ON PART, THERE IS A POSSIBILITY THAT IT WILL MAKE CONTACT WITH THE LEADS.
 - REINFORCED METAL FITTINGS AS FOLLOWS.

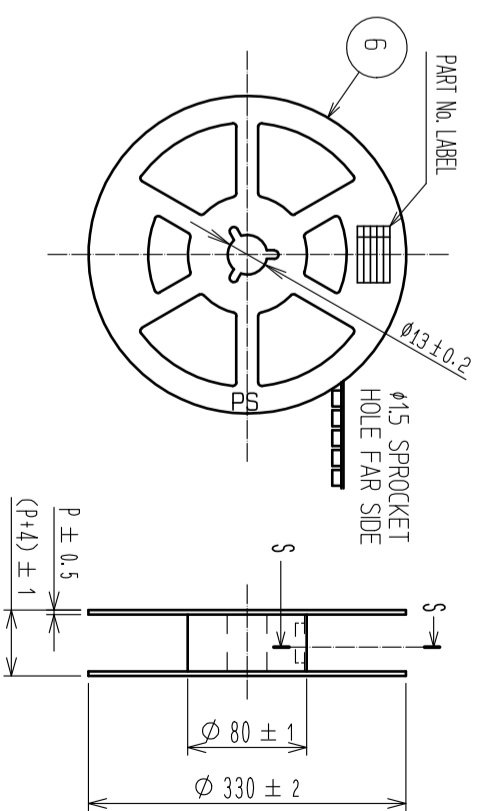
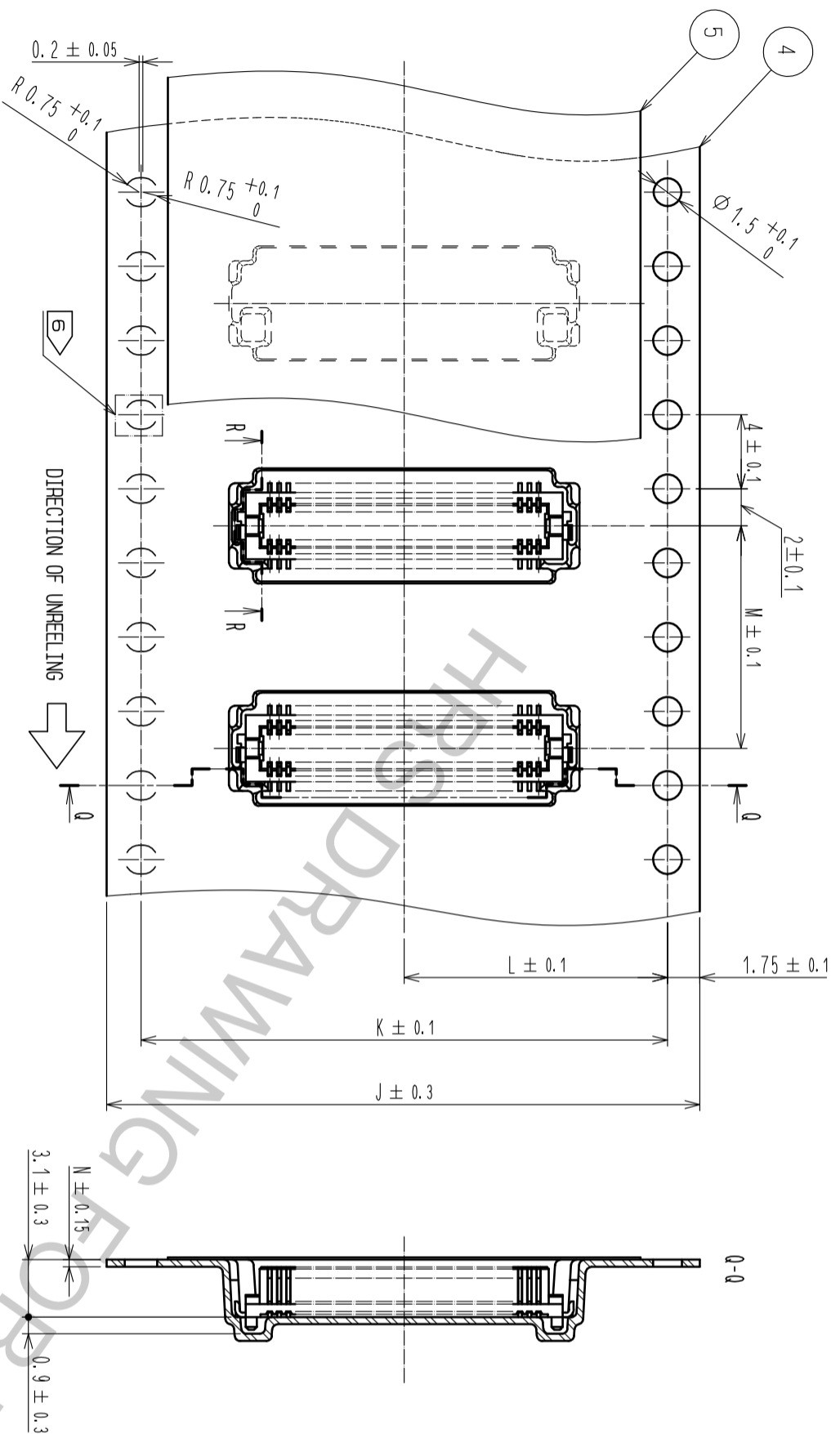


| NO. | MATERIAL | FINISH | REMARKS | NO. | MATERIAL | FINISH | REMARKS |
|-----|-----------------|--------|--|-----|-----------|--------|---|
| 1 | POLYAMIDE | | UL94V-0, NATURAL (BETIGE) | 3 | BRASS | | TIN PLATED 2μm min (UNDER PLATING) NICKEL 1μm min |
| 2 | PHOSPHOR BRONZE | | CONTACT AREA: GOLD PLATED 0.2μm min LEAD AREA: GOLD PLATED 0.015μm min OTHERS (UNDER PLATING): NICKEL PLATED 2μm min | 4 | PS | | CLEAR (REINFORCEMENT COLLAR) |
| | | | | 5 | POLYESTER | | BLACK (PLASTIC REEL) |
| | | | | 6 | | | CLEAR (COVER TAPE) |
| | | | | 7 | | | CLEAR (EMBOSSED CARRIER TAPE) |

| UNITS | SCALE | COUNT | DESCRIPTION OF REVISIONS | DESIGNED | CHECKED | DATE |
|-------|-------|-------|--------------------------|------------|--------------|----------|
| mm | 5 : 1 | 1 | DIS-H-00001678 | SH. HOSODA | TS. MIYAZAKI | 16.05.30 |

| APPROVED | CHECKED | DESIGNED | DRAWING | PART | CODE |
|-----------|-------------|--------------|----------------|-------------------|-------|
| KH. IKEDA | YH. MICHIDA | YN. SAKAMOTO | EDC3-162502-77 | DF12-*DS-0.5V(86) | CL537 |

| DESIGNED | DRAWN | NO. |
|--------------|-----------|-----|
| YN. SAKAMOTO | KR. AJITO | 1 |

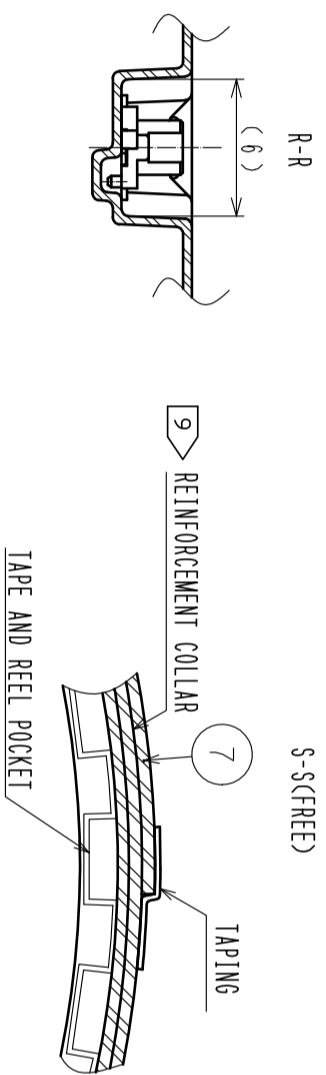


STYLE AND DIMENTION OF REEL (FREE)

SUPPLIER
 QUANTITY
 PART NO.
 CODE NO.
 DATE OF MANUFACTURED

DETAIL OF PART NO. LABEL

| | | | |
|------|-------------------|---|---|
| 生産月日 | 年 | 月 | 日 |
| 図番 | CL537-****-*--86 | | |
| 品名 | DF12-*DS-0.5V(86) | | |
| 納入数量 | 1000KO | | |
| 納入者 | ヒロセ電機(株) | | |



| CODE NO. | CONTACT | J | K | L | M | N | P |
|-----------------|---------|----|------|------|----|------|------|
| CL537-0003-6-86 | 20 | 16 | - | 7.5 | 12 | 0.38 | 17.5 |
| CL537-0005-1-86 | 30 | 24 | - | 11.5 | 12 | 0.38 | 25.5 |
| CL537-0012-7-86 | 32 | 24 | - | 11.5 | 12 | 0.30 | 25.5 |
| CL537-0006-4-86 | 36 | 24 | - | 11.5 | 8 | 0.30 | 25.5 |
| CL537-0007-7-86 | 40 | 24 | - | 11.5 | 12 | 0.38 | 25.5 |
| CL537-0009-2-86 | 50 | 24 | - | 11.5 | 8 | 0.30 | 25.5 |
| CL537-0011-4-86 | 60 | 32 | 28.4 | 14.2 | 12 | 0.38 | 35.5 |

- NOTES
- 1 REEL 1000 CONNECTORS.
 - AT THE BEGINNING OF THE REEL, 30 COMPONENTS SHALL BE EMPTY, AT THE END OF THE REEL, 20 COMPONENTS SHALL BE EMPTY.
 - WHEN THE TAPE WIDTH IS 32 mm OR 44 mm, SPROCKET HOLES SHALL BE SET ON BOTH SIDE OF REEL AS SHOWN ON THIS DRAWING.
 - PEEL FORCE REFERS TO JIS C 0806. (IEC 60286-3)
 - THE REEL IS PACKED WITH A POLYETHYLENE MATERIAL, TOGETHER WITH A DRYING AGENT.
 - AFTER PACKING, ROLL 2 METERS OF THE REINFORCEMENT COLLAR TO OUTER CIRCUMFERENCE OF TAPE AND REEL POCKET, AND TAPE DOWN AT THE END THE COLLAR.

HRS

DRAWING NO. EDC3-162502-77
 PART NO. DF12-*DS-0.5V(86)
 CODE CL537