



Chipsmall Limited consists of a professional team with an average of over 10 year of expertise in the distribution of electronic components. Based in Hongkong, we have already established firm and mutual-benefit business relationships with customers from,Europe,America and south Asia,supplying obsolete and hard-to-find components to meet their specific needs.

With the principle of “Quality Parts,Customers Priority,Honest Operation,and Considerate Service”,our business mainly focus on the distribution of electronic components. Line cards we deal with include Microchip,ALPS,ROHM,Xilinx,Pulse,ON,Everlight and Freescale. Main products comprise IC,Modules,Potentiometer,IC Socket,Relay,Connector.Our parts cover such applications as commercial,industrial, and automotives areas.

We are looking forward to setting up business relationship with you and hope to provide you with the best service and solution. Let us make a better world for our industry!



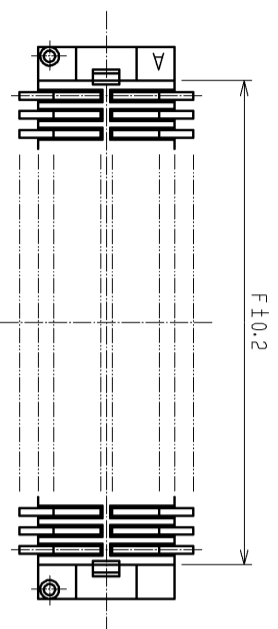
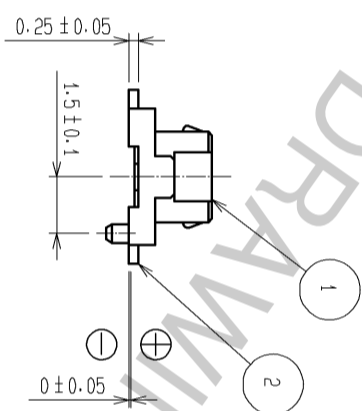
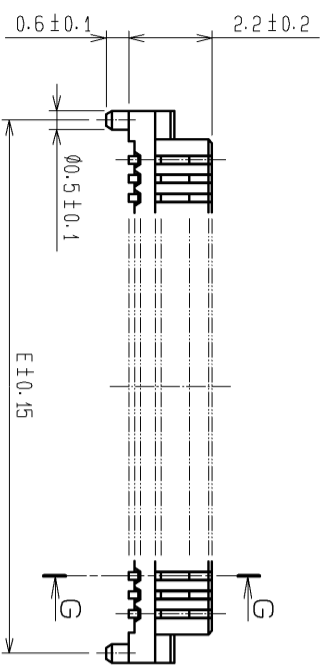
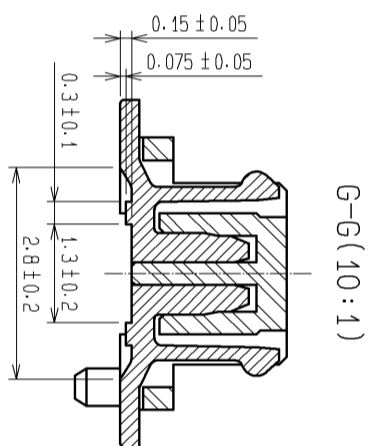
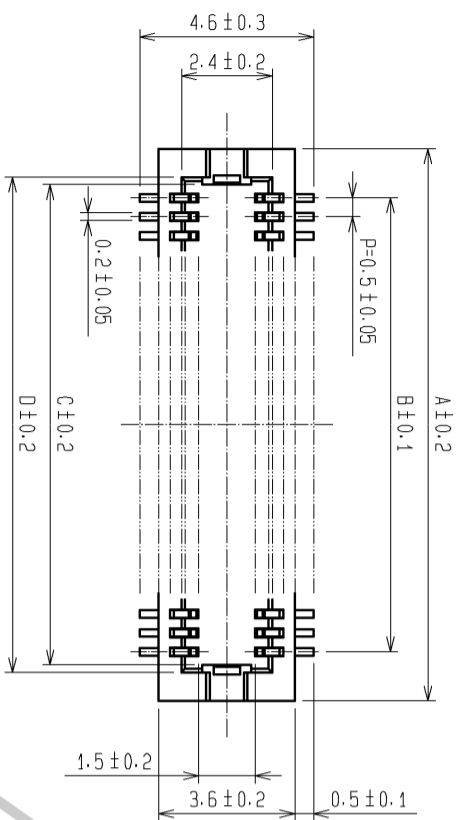
Contact us

Tel: +86-755-8981 8866 Fax: +86-755-8427 6832

Email & Skype: info@chipsmall.com Web: www.chipsmall.com

Address: A1208, Overseas Decoration Building, #122 Zhenhua RD., Futian, Shenzhen, China

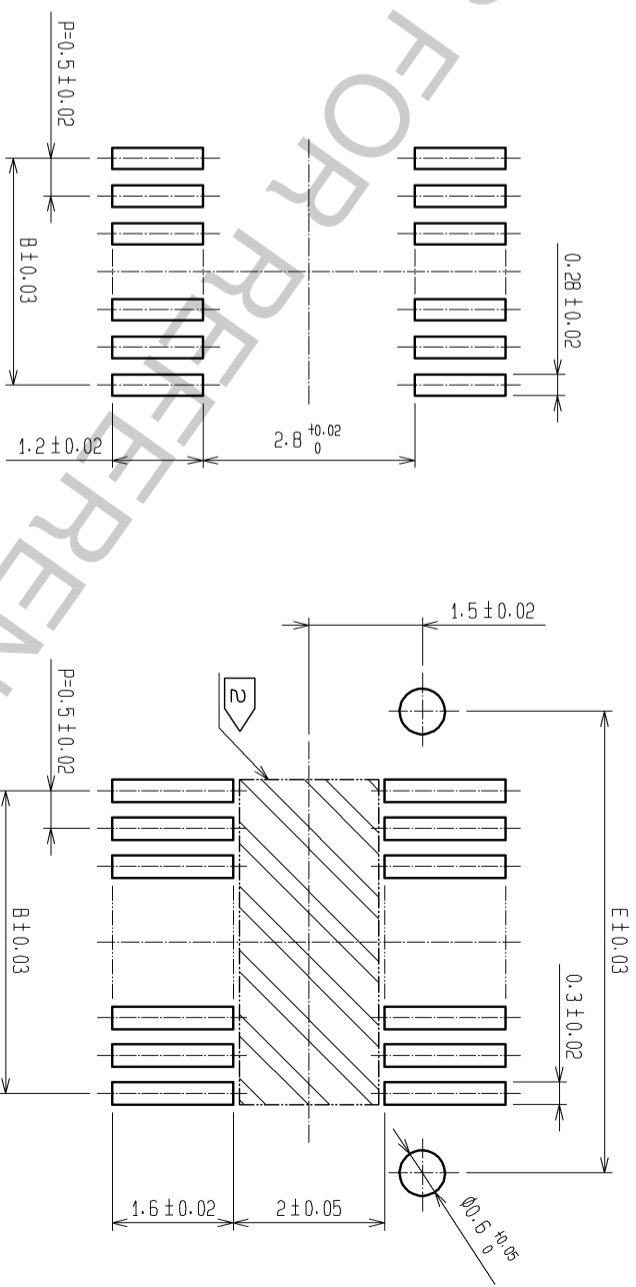




CODE NO.	CONTACT	A	B	C	D	E	F
CL537-0626-9-81	10	4.6	2.0	2.7	3.1	4.1	2.8
CL537-0915-6-81	14	5.6	3.0	3.7	4.1	5.1	3.8
CL537-0628-4-81	20	7.1	4.5	5.2	5.6	6.6	5.3
CL537-0630-6-81	30	9.6	7.0	7.7	8.1	9.1	7.8
CL537-0637-5-81	32	10.1	7.5	8.2	8.6	9.6	8.3
CL537-0631-9-81	36	11.1	8.5	9.2	9.6	10.6	9.3
CL537-0632-1-81	40	12.1	9.5	10.2	10.6	11.6	10.3
CL537-0634-7-81	50	14.6	12.0	12.7	13.1	14.1	12.8
CL537-0636-2-81	60	17.1	14.5	15.2	15.6	16.6	15.3
CL537-0638-8-81	80	22.1	19.5	20.2	20.6	21.6	20.3

RECOMMENDED METAL MASK (10:1)

RECOMMENDED PATTERN (10:1)



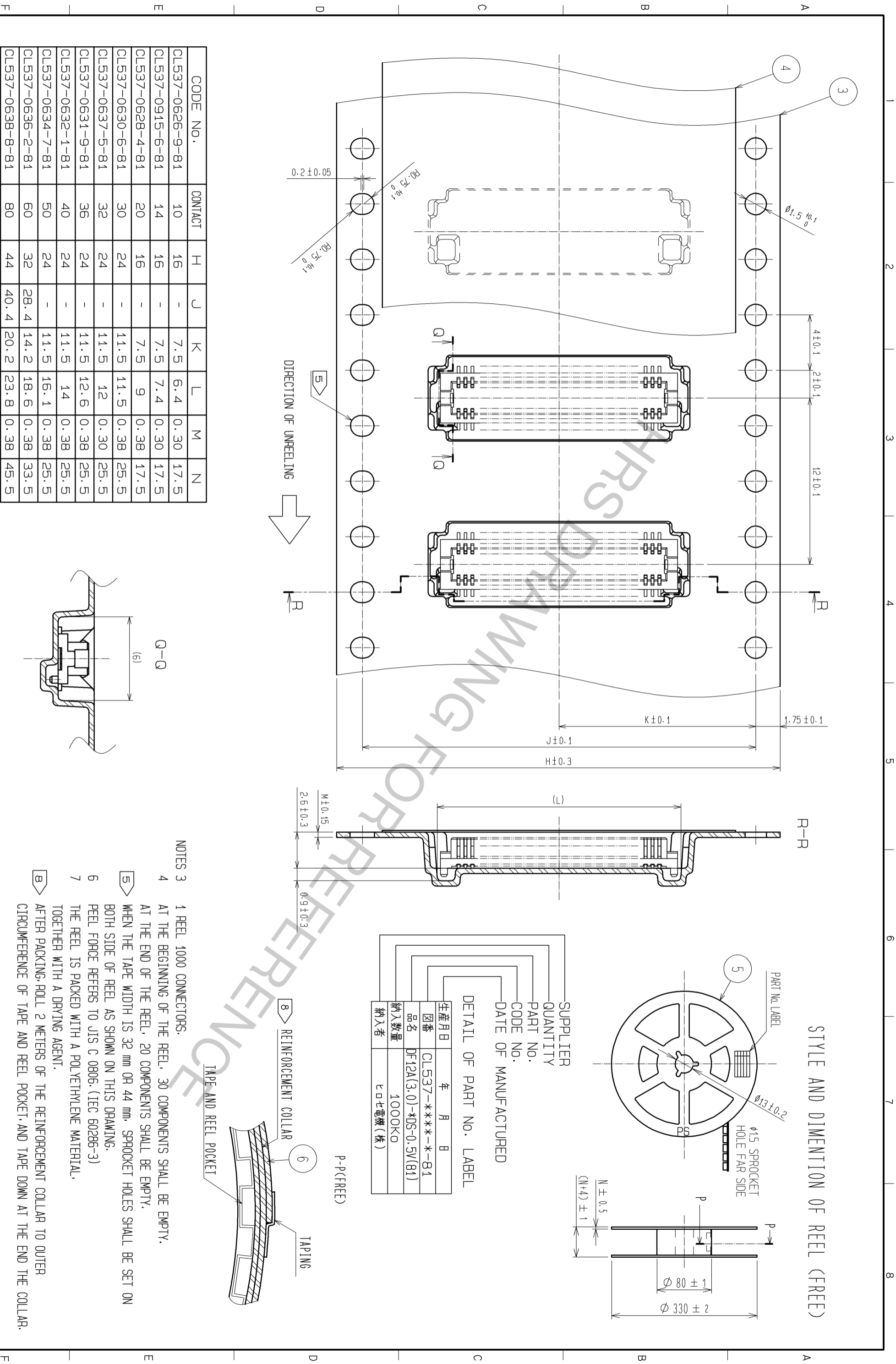
RECOMMENDED THICKNESS OF SOLDER PASTE : 120 μm

NOTES 1 : LEAD CO-PLANARITY SHALL BE 0.08 mm MAX.
 2 IF THERE IS PATTERN ON PART, THERE IS A POSSIBILITY THAT IT WILL MAKE CONTACT WITH THE LEADS.

NO.	MATERIAL	FINISH . REMARKS	NO.	MATERIAL	FINISH . REMARKS
1	POLYAMIDE	UL94V-0-NATURAL(BEIGE)	3	PS	CLEAR (REINFORCEMENT COLLAR)
2	PHOSPHOR BRONZE	CONTACT AREA:GOLD PLATED 0.2μm min LEAD AREA:GOLD PLATED 0.015μm min OTHERS(UNDER PLATING):NICKEL PLATED 2μm min	5	PS	BLACK (PLASTIC REEL)
			4	POLYESTER	CLEAR (COVER TAPE)
			3	PS	CLEAR (EMBOSSED CARRIER TAPE)

UNITS	SCALE	COUNT	DESCRIPTION OF REVISIONS	DESIGNED	CHECKED	DATE
mm	5 : 1					

APPROVED : KH. IKEDA	13.08.06	DRAWING NO.	EDC3-163505-77
CHECKED : YH. MICHIDA	13.08.05	PART NO.	DF12A(3.0)-*DS-0.5V(81)
DESIGNED : YN. SAKAMOTO	13.08.05	CODE NO.	CL537
DRAWN : KR. AJITO	13.08.05		



- NOTES
- 1 REEL 1000 CONNECTORS.
 - 2 AT THE BEGINNING OF THE REEL, 30 COMPONENTS SHALL BE EMPTY.
 - 3 AT THE END OF THE REEL, 20 COMPONENTS SHALL BE EMPTY.
 - 4 WHEN THE TAPE WIDTH IS 32 mm OR 44 mm, SPROCKET HOLES SHALL BE SET ON BOTH SIDE OF REEL AS SHOWN ON THIS DRAWING.
 - 5 PEEL FORCE REFERS TO JIS C 0806. (IEC 60286-3)
 - 6 THE REEL IS PACKED WITH A POLYETHYLENE MATERIAL.
 - 7 TOGETHER WITH A DRYING AGENT.
 - 8 AFTER PACKING, ROLL 2 METERS OF THE REINFORCEMENT COLLAR TO OUTER CIRCUMFERENCE OF TAPE AND REEL POCKET, AND TAPE DOWN AT THE END THE COLLAR.

DETAIL OF PART NO. LABEL

生産月日	年	月	日
図番	CL537-***-*-81		
品名	DF12A(3.0)-*DS-0.5V(B1)		
納入数量	1000KO		
納入者	ヒロセ電機(株)		