



Chipsmall Limited consists of a professional team with an average of over 10 year of expertise in the distribution of electronic components. Based in Hongkong, we have already established firm and mutual-benefit business relationships with customers from,Europe,America and south Asia,supplying obsolete and hard-to-find components to meet their specific needs.

With the principle of “Quality Parts,Customers Priority,Honest Operation,and Considerate Service”,our business mainly focus on the distribution of electronic components. Line cards we deal with include Microchip,ALPS,ROHM,Xilinx,Pulse,ON,Everlight and Freescale. Main products comprise IC,Modules,Potentiometer,IC Socket,Relay,Connector.Our parts cover such applications as commercial,industrial, and automotives areas.

We are looking forward to setting up business relationship with you and hope to provide you with the best service and solution. Let us make a better world for our industry!



Contact us

Tel: +86-755-8981 8866 Fax: +86-755-8427 6832

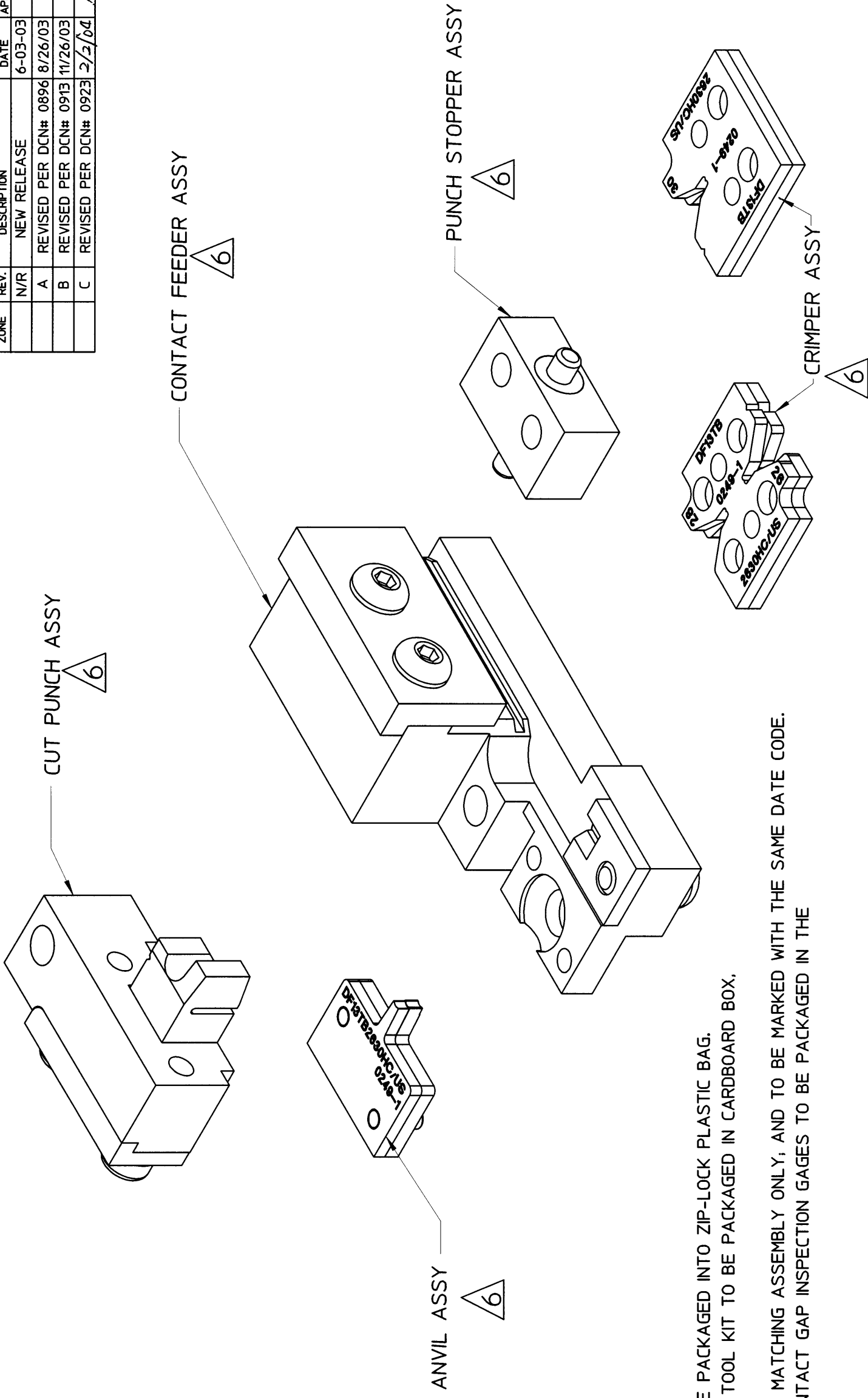
Email & Skype: info@chipsmall.com Web: www.chipsmall.com

Address: A1208, Overseas Decoration Building, #122 Zhenhua RD., Futian, Shenzhen, China



THE INFORMATION CONTAIN HEREIN IS PROPRIETARY TO HIROSE ELECTRIC (USA), INC.. ALL RIGHTS THEREIN ARE RESERVED AND SHALL NOT BE USED, DUPLICATED, OR FURTHER DISSEMINATED FOR ANY PURPOSE WITHOUT THE CONSENT OF HIROSE ELECTRIC (USA), INC.

ZONE	REV.	DESCRIPTION	DATE	APPROVED
	N/R	NEW RELEASE	6-03-03	KMG
	A	REVISED PER DCN# 0896	8/26/03	A.S.
	B	REVISED PER DCN# 0913	11/26/03	A.S.
	C	REVISED PER DCN# 0923	3/2/04	M.N.



- 12. PACKAGING: SIX (6) DIE SET ASSEMBLIES TO BE PACKAGED INTO ZIP-LOCK PLASTIC BAG. PLASTIC BAG WITH DIE SET ASSEMBLIES AND TOOL KIT TO BE PACKAGED IN CARDBOARD BOX. SIZE 203mm X 76mm X 51mm (8" X 3" X 2").
- 11. ANVIL ASSY AND CRIMPER ASSY ARE SOLD AS MATCHING ASSEMBLY ONLY, AND TO BE MARKED WITH THE SAME DATE CODE.
- 10. TOOL KIT, ALL APPLICABLE SCREWS, AND CONTACT GAP INSPECTION GAGES TO BE PACKAGED IN THE ZIP-LOCK PLASTIC BAG, AS SHOWN IN FIG 1.

- 9. LABEL TO BE APPLIED AS SHOWN.
 - 8. DATE CODE AND SET No.: SEE EXAMPLE FOR EXPLANATION.
 - 7. PART/No. DF13-TB2630HC/US-DS TO BE PURCHASED AS A SET ONLY.
 - 6. RECOMMENDED NUMBER OF CRIMPING CYCLES - 15,000.
 - 5. FOR ASSEMBLY, INSTALLATION AND OPERATION OF THIS DIE SET, AND CONTACT GAP INSPECTION, REFER TO INSTRUCTION MANUAL P/No. PS078.
 - 4. THIS DIE SET IS RECOMMENDED TO BE USED ONLY WITH APPLICABLE HAND CRIMP TOOL, P/No. HRUS-HT-1, AND TO CRIMP CONTACT, P/No. DF13-2630SCF/SCFA.
 - 3. APPLICABLE WIRE STYLE: UL 1061, AWG 26, 28 AND 30.
 - 2. MATERIALS: TOOL STEEL.
 - 1. DIMENSIONS IN () ARE FOR REFERENCE ONLY
 - 1. DIMENSIONING AND TOLERANCING PER ANSI/ASME Y14.5M-1994
- NOTES (UNLESS OTHERWISE SPECIFIED)

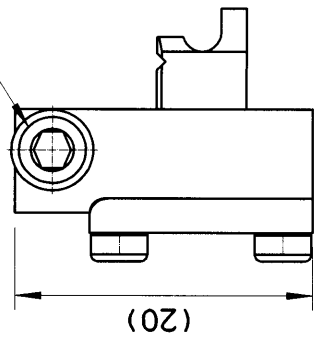
CUSTOMER USE DRAWING

FORM NO. 0AG18	UNLESS OTHERWISE SPECIFIED DIMENSIONS ARE IN MILLIMETERS TOLERANCES ARE:		APPROVALS	DATE
	X = ±0.1	.XX = ±0.05	Drawn: Luis Lostaunau	05/05/03
THIRD ANGLE PROJECTION	.XXX = ±0.03	ANGLE = ±1°	Checked: Alla Shchur	05/20/03
PROJECT NO.			Witnessed: Mac Nagashima	05/30/03
XXXXXXX			Checked: Kris McGuire	06/03/03
USED ON				
APPLICATION				
PART NUMBER		CL NUMBER		
DF13-TB2630HC/US-DS		5920-8502-5		
SIZE	DWG NUMBER	REV.		
B	DF13-TB2630HC/US-DS	C		
SCALE	SHEET	1 OF 2		
N/A				

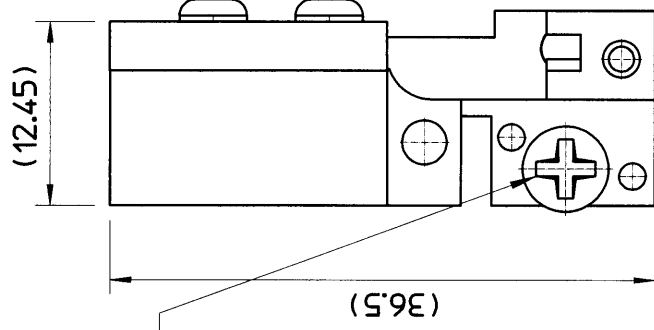
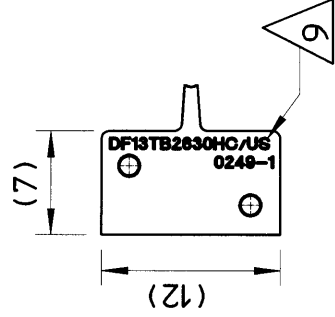
HRS HIROSE ELECTRIC (U.S.A), INC
SIMI VALLEY, CALIFORNIA 93065

THE INFORMATION CONTAIN HEREIN IS PROPRIETARY TO HIROSE ELECTRIC (USA), INC.. ALL RIGHTS THEREIN ARE RESERVED AND SHALL NOT BE USED, DUPLICATED, OR FURTHER DISSEMINATED FOR ANY PURPOSE WITHOUT THE CONSENT OF HIROSE ELECTRIC (USA), INC.

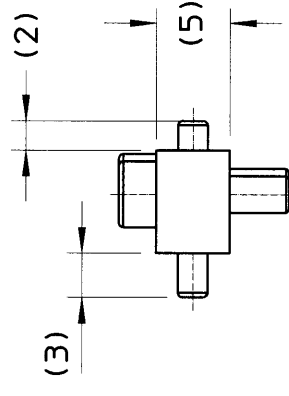
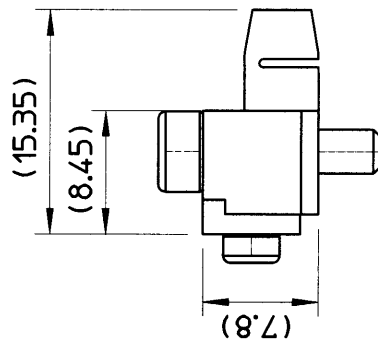
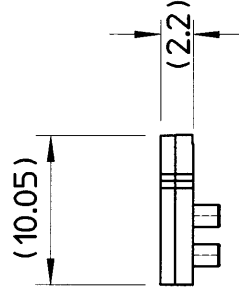
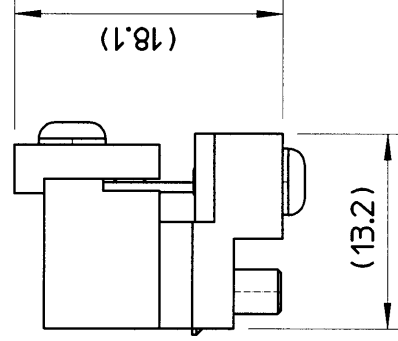
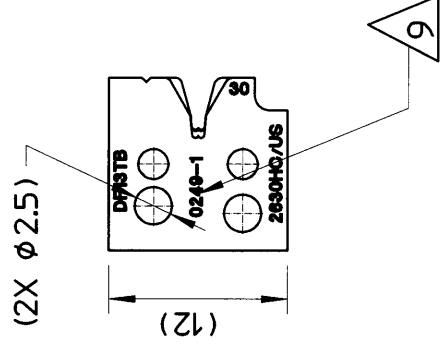
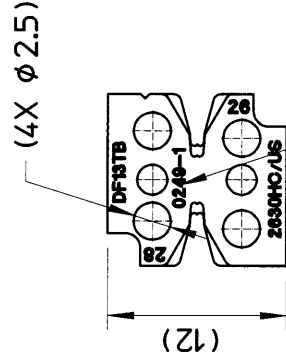
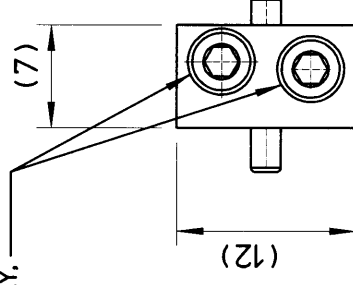
M3 SOCKET HEAD CAP SCREW, 12 mm LONG, SHOWN FOR REFERENCE ONLY, NOT INSTALLED



M3 FLAT HEAD PHILLIPS MACHINE SCREW, 6 mm LONG, SHOWN FOR REFERENCE ONLY, NOT INSTALLED



M2.5 SOCKET HEAD CAP SCREW, 10 mm LONG, SHOWN FOR REFERENCE ONLY, NOT INSTALLED



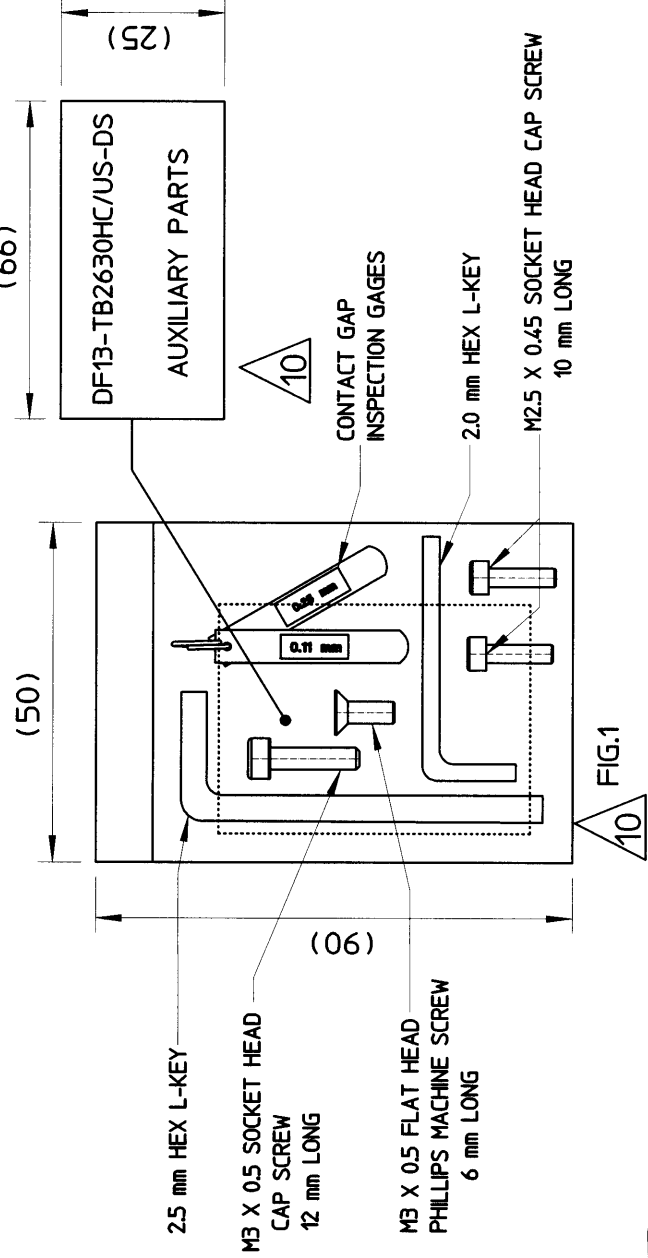
CUT PUNCH ASSY

ANVIL ASSY

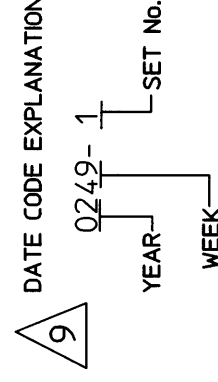
CONTACT FEEDER ASSY

CRIMPER ASSY

PUNCH STOPPER ASSY



DATE CODE EXPLANATION:



FORM NO. 0AG18

UNLESS OTHERWISE SPECIFIED DIMENSIONS ARE IN MILLIMETERS TOLERANCES ARE:
 X = ±0.1
 .XX = ±0.05
 .XXX = ±0.03
 ANGLE = ±1°

PROJECT NO.	DATE
XXXXXXXX	05/05/03
DESIGNED BY	APPROVALS
Luis Lostana	Checked
XXXXXXXX	Drawn
USED ON	Named
APPLICATION	Named

HIROSE ELECTRIC (U.S.A), INC SIMI VALLEY, CALIFORNIA 93065	
PART NUMBER	DF13-TB2630HC/US-DS
CL NUMBER	5920-8502-5
SIZE	B
DWG NUMBER	DF13-TB2630HC/US-DS
REV.	C
SCALE	N/A
SHEET	2 OF 2

CUSTOMER USE DRAWING

ZONE	REV.	DESCRIPTION	DATE	APPROVED
	A	REVISED PER DCN# 0896		
	B	REVISED PER DCN# 0913	11/26/03	A.S.
	C	REVISED PER DCN# 0923	2/2/04	M.N.