



Chipsmall Limited consists of a professional team with an average of over 10 year of expertise in the distribution of electronic components. Based in Hongkong, we have already established firm and mutual-benefit business relationships with customers from,Europe,America and south Asia,supplying obsolete and hard-to-find components to meet their specific needs.

With the principle of “Quality Parts,Customers Priority,Honest Operation,and Considerate Service”,our business mainly focus on the distribution of electronic components. Line cards we deal with include Microchip,ALPS,ROHM,Xilinx,Pulse,ON,Everlight and Freescale. Main products comprise IC,Modules,Potentiometer,IC Socket,Relay,Connector.Our parts cover such applications as commercial,industrial, and automotives areas.

We are looking forward to setting up business relationship with you and hope to provide you with the best service and solution. Let us make a better world for our industry!



Contact us

Tel: +86-755-8981 8866 Fax: +86-755-8427 6832

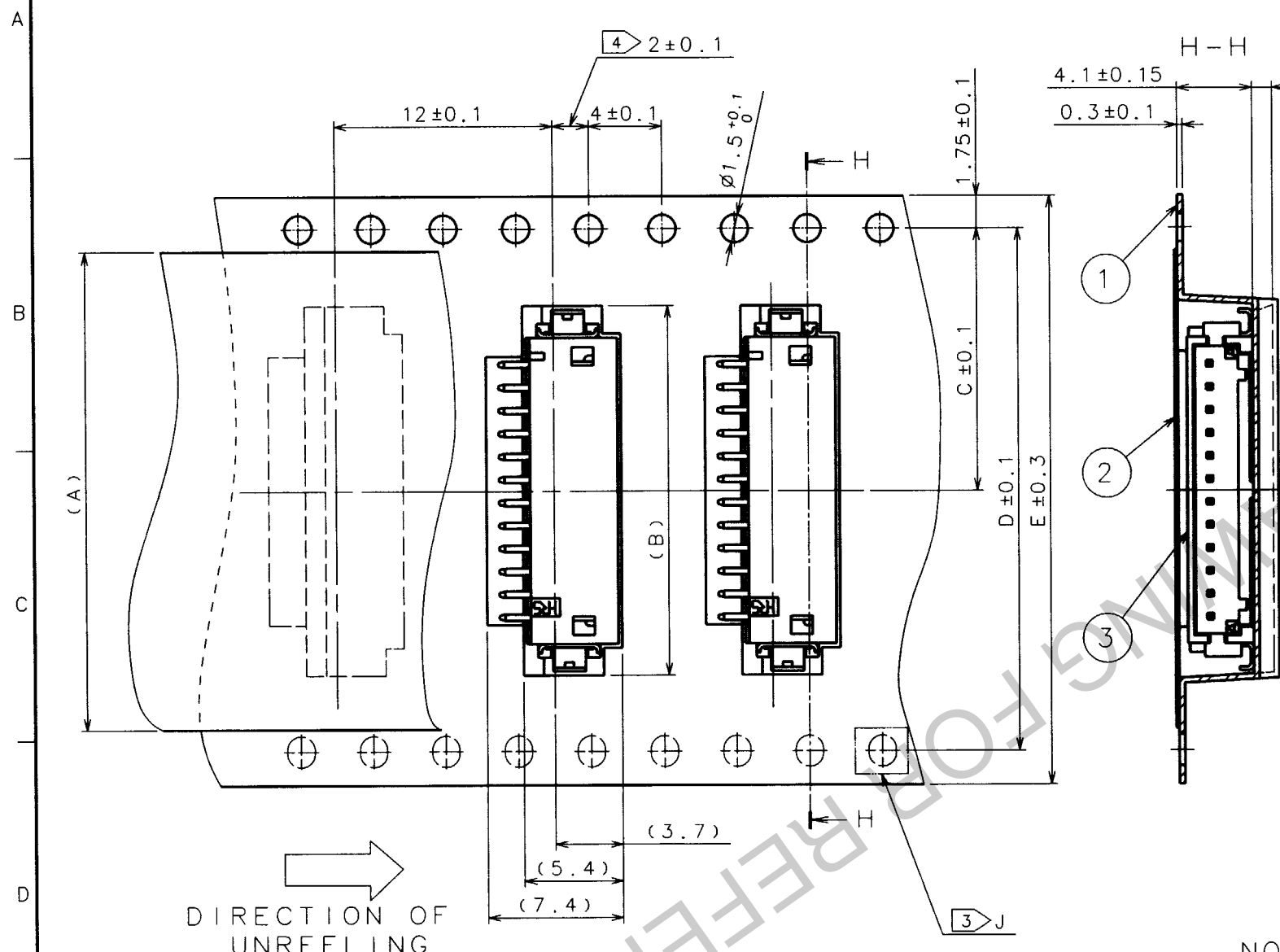
Email & Skype: info@chipsmall.com Web: www.chipsmall.com

Address: A1208, Overseas Decoration Building, #122 Zhenhua RD., Futian, Shenzhen, China



COUNT	DESCRIPTION OF REVISIONS	BY	CHKD	DATE	COUNT	DESCRIPTION OF REVISIONS	BY	CHKD	DATE
△					△				
△					△				
△					△				

G PORTION

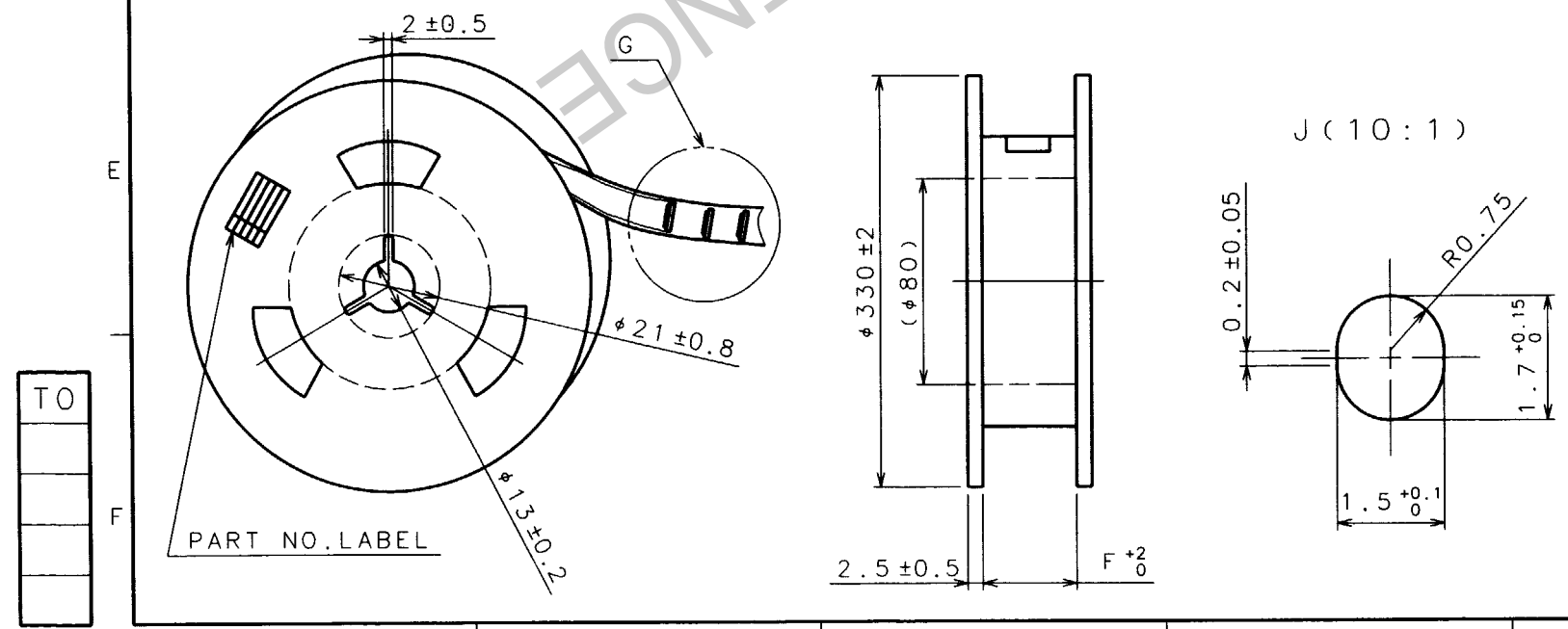


CODE NO.	PART NO.	A	B	C	D	E	F
CL536-0301-8-51	DF13A- 2P-1.25H(51)	13.5	7.6	7.5		16	16.4
CL536-0302-0-51	DF13A- 3P-1.25H(51)	13.5	8.85	7.5		16	16.4
CL536-0303-3-51	DF13A- 4P-1.25H(51)	21.5	10.1	11.5		24	24.4
CL536-0304-6-51	DF13A- 5P-1.25H(51)	21.5	11.35	11.5		24	24.4
CL536-0305-9-51	DF13A- 6P-1.25H(51)	21.5	12.6	11.5		24	24.4
CL536-0306-1-51	DF13A- 7P-1.25H(51)	21.5	13.85	11.5		24	24.4
CL536-0307-4-51	DF13A- 8P-1.25H(51)	21.5	15.1	11.5		24	24.4
CL536-0308-7-51	DF13A- 9P-1.25H(51)	21.5	16.35	11.5		24	24.4
CL536-0309-0-51	DF13A-10P-1.25H(51)	21.5	17.6	11.5		24	24.4
CL536-0310-9-51	DF13A-11P-1.25H(51)	26	18.85	14.2	28.4	32	32.4
CL536-0311-1-51	DF13A-12P-1.25H(51)	26	20.1	14.2	28.4	32	32.4
CL536-0313-7-51	DF13A-14P-1.25H(51)	26	22.6	14.2	28.4	32	32.4
CL536-0314-0-51	DF13A-15P-1.25H(51)	37	23.85	20.2	40.4	44	44.4

DETAIL OF PART NO. LABEL



STYLE AND DIMENSION OF REEL



- NOTES 1:1 REEL 1000 CONNECTORS.
 2: AT THE BEGINNING OF THE REEL, 30 COMPONENTS SHALL BE EMPTY. AT THE END OF THE REEL, 20 COMPONENTS SHALL BE EMPTY.
 ③: WHEN THE TAPE WIDTH IS 32 OR 44mm, SPROCKET HOLES SHALL BE SET ON BOTH SIDES OF REEL AS SHOWN ON THIS DRAWING.
 ④: WHEN THE TAPE WIDTH IS 44mm OR OVER, THE TOLERANCE SHALL BE 2±0.15.

2	POLYESTER	CLEAR (COVER TAPE)			
1	PAN	CLEAR (EMBOSSED CARRIER TAPE)	3	DF13A-*P-1.25H(01)	
NO.	MATERIAL	FINISH, REMARKS	NO.	MATERIAL	FINISH, REMARKS
CODE NO. (OLD)		DRAWN	DESIGNED	CHECKED	APPROVED
		<i>F. Asai</i>	<i>F. Asai</i>	<i>K. Akuyama</i>	<i>K. Katayose</i>
		98. 6. 23	98. 6. 23	98. 6. 25	98. 6. 25
DRAWING NO.		PART NO.			
EDC3-162444-02		DF13A-*P-1.25H(51)			
SCALE		CODE NO.		CODE NO. SHALL BE ACCORDANCE WITH TABLE.	
FR:EE				1	
UNITS		HRS HIROSE ELECTRIC CO.,LTD.		1	
mm					