



Chipsmall Limited consists of a professional team with an average of over 10 year of expertise in the distribution of electronic components. Based in Hongkong, we have already established firm and mutual-benefit business relationships with customers from,Europe,America and south Asia,supplying obsolete and hard-to-find components to meet their specific needs.

With the principle of “Quality Parts,Customers Priority,Honest Operation,and Considerate Service”,our business mainly focus on the distribution of electronic components. Line cards we deal with include Microchip,ALPS,ROHM,Xilinx,Pulse,ON,Everlight and Freescale. Main products comprise IC,Modules,Potentiometer,IC Socket,Relay,Connector.Our parts cover such applications as commercial,industrial, and automotives areas.

We are looking forward to setting up business relationship with you and hope to provide you with the best service and solution. Let us make a better world for our industry!



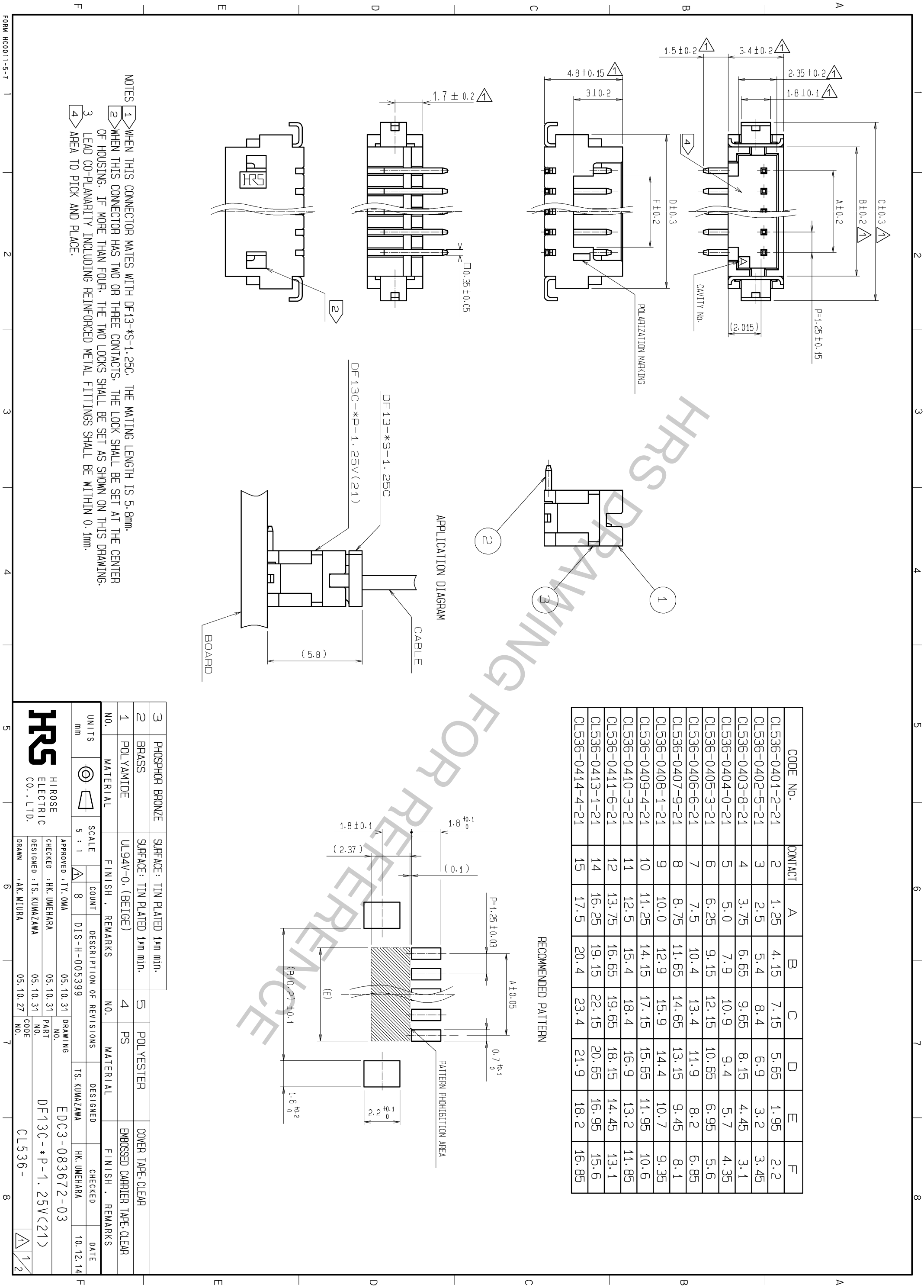
Contact us

Tel: +86-755-8981 8866 Fax: +86-755-8427 6832

Email & Skype: info@chipsmall.com Web: www.chipsmall.com

Address: A1208, Overseas Decoration Building, #122 Zhenhua RD., Futian, Shenzhen, China

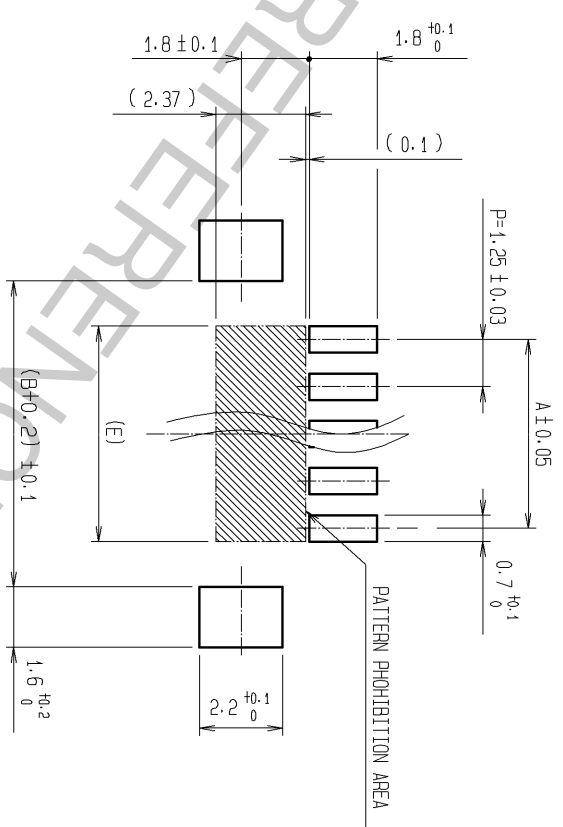




NOTES
 1 WHEN THIS CONNECTOR MATES WITH DF13-S-1.25C, THE MATING LENGTH IS 5.8mm.
 2 WHEN THIS CONNECTOR HAS TWO OR THREE CONTACTS, THE LOCK SHALL BE SET AT THE CENTER OF HOUSING. IF MORE THAN FOUR, THE TWO LOCKS SHALL BE SET AS SHOWN ON THIS DRAWING.
 3 LEAD CO-PLANARITY INCLUDING REINFORCED METAL FITTINGS SHALL BE WITHIN 0.1mm.
 4 AREA TO PICK AND PLACE.

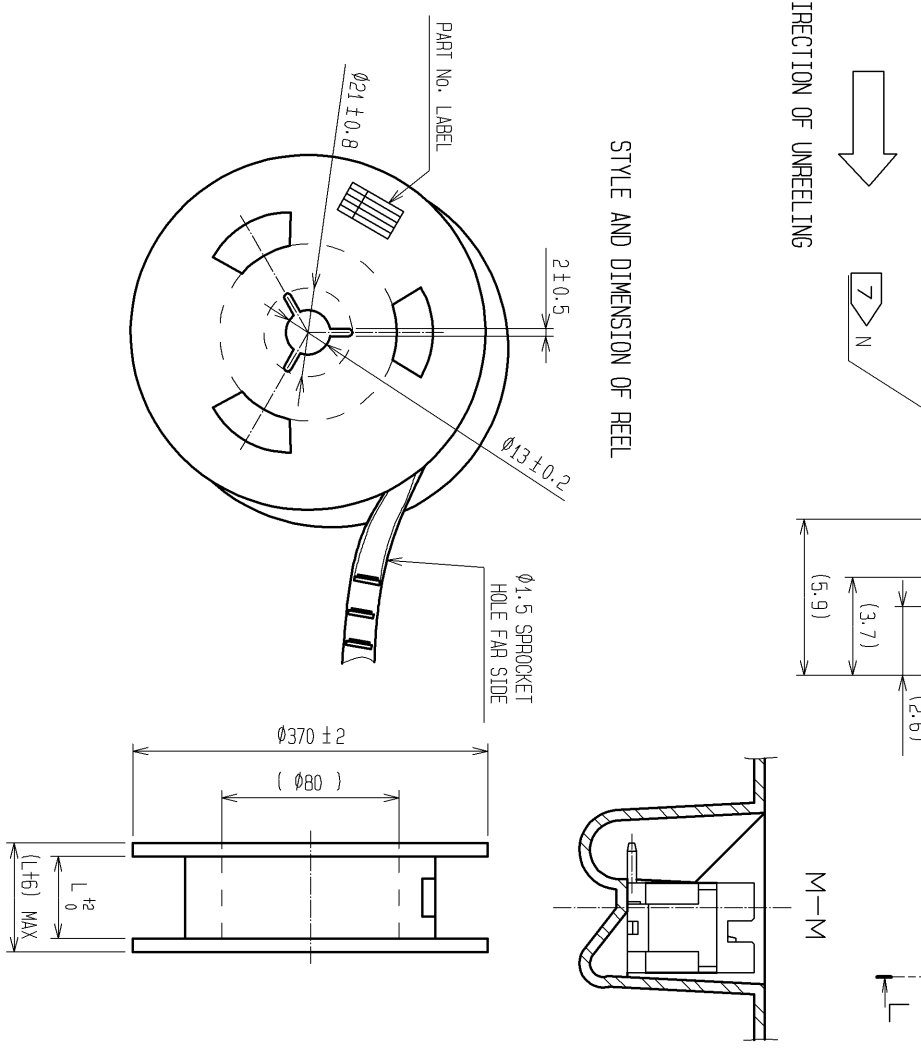
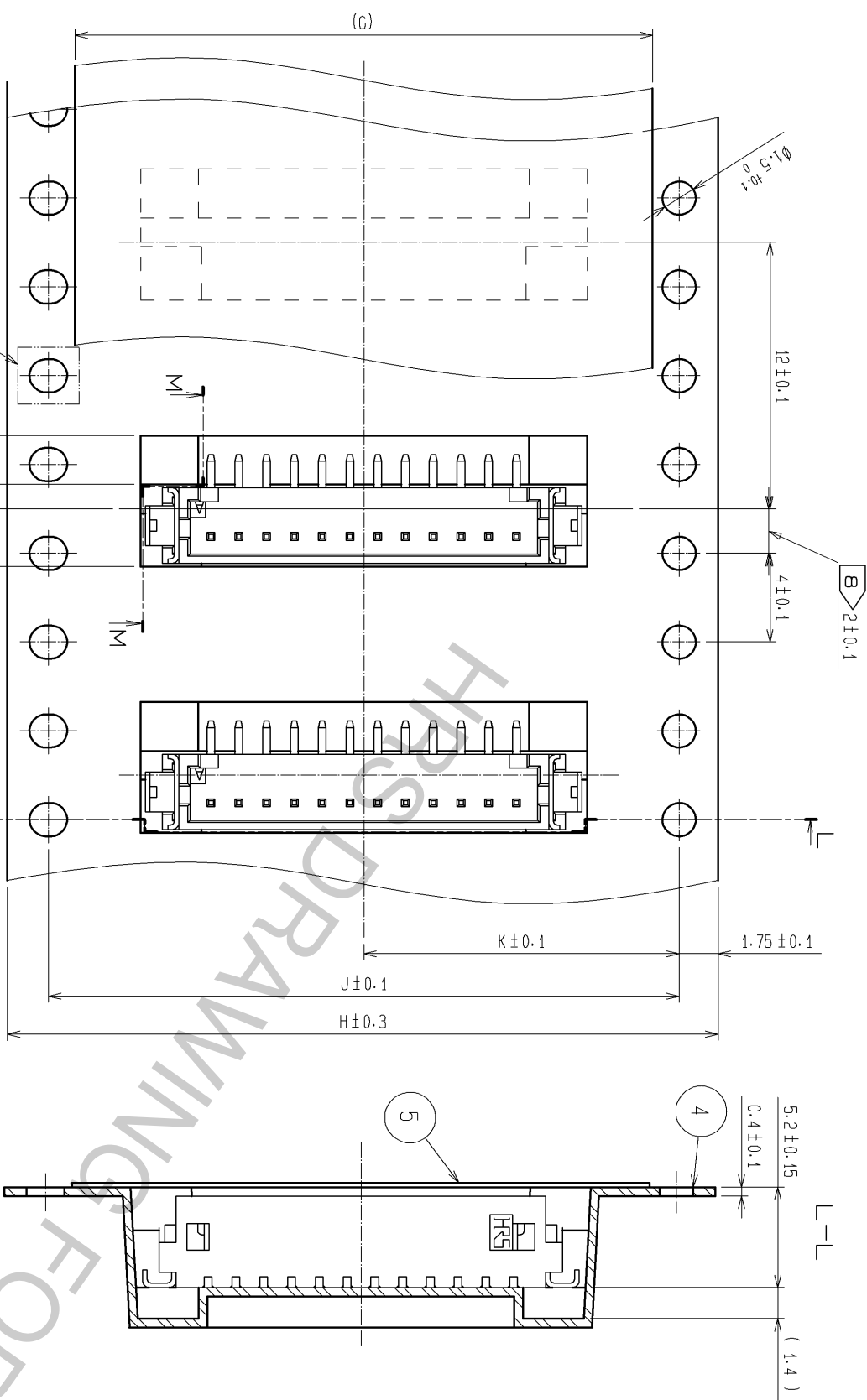
CODE NO.	CONTACT	A	B	C	D	E	F
CL536-0401-2-21	2	1.25	4.15	7.15	5.65	1.95	2.2
CL536-0402-5-21	3	2.5	5.4	8.4	6.9	3.2	3.45
CL536-0403-8-21	4	3.75	6.65	9.65	8.15	4.45	3.1
CL536-0404-0-21	5	5.0	7.9	10.9	9.4	5.7	4.35
CL536-0405-3-21	6	6.25	9.15	12.15	10.65	6.95	5.6
CL536-0406-6-21	7	7.5	10.4	13.4	11.9	8.2	6.85
CL536-0407-9-21	8	8.75	11.65	14.65	13.15	9.45	8.1
CL536-0408-1-21	9	10.0	12.9	15.9	14.4	10.7	9.35
CL536-0409-4-21	10	11.25	14.15	17.15	15.65	11.95	10.6
CL536-0410-3-21	11	12.5	15.4	18.4	16.9	13.2	11.85
CL536-0411-6-21	12	13.75	16.65	19.65	18.15	14.45	13.1
CL536-0413-1-21	14	16.25	19.15	22.15	20.65	16.95	15.6
CL536-0414-4-21	15	17.5	20.4	23.4	21.9	18.2	16.85

RECOMMENDED PATTERN



3	PHOSPHOR BRONZE	SURFACE: TIN PLATED 1μm min.	5	POLYESTER	COVER TAPE CLEAR
2	BRASS	SURFACE: TIN PLATED 1μm min.	4	PS	EMBOSSED CARRIER TAPE CLEAR
1	POLYAMIDE	UL94V-0, (BEIGE)			
NO.	MATERIAL	FINISH . REMARKS	NO.	MATERIAL	FINISH . REMARKS
UNITS	SCALE	COUNT	DESCRIPTION OF REVISIONS	DESIGNED	CHECKED
mm	5 : 1	8	DIS-H-005399	TS. KUMAZAWA	HK. UMEHARA
			APPROVED : TY. OMA	05.10.31	EDC3-083672-03
			CHECKED : HK. UMEHARA	05.10.31	
			DESIGNED : TS. KUMAZAWA	05.10.31	DF13C-KP-1.25V(21)
			DRAWN : AK. MURA	05.10.27	CL536-





CODE No.	CONTACT	G	H	J	K	L
CL536-0401-2-21	2	13.5	16	/	7.5	16.4
CL536-0402-5-21	3	13.5	16	/	7.5	16.4
CL536-0403-8-21	4	21.5	24	/	11.5	24.4
CL536-0404-0-21	5	21.5	24	/	11.5	24.4
CL536-0405-3-21	6	21.5	24	/	11.5	24.4
CL536-0406-6-21	7	21.5	24	/	11.5	24.4
CL536-0407-9-21	8	21.5	24	/	11.5	24.4
CL536-0408-1-21	9	21.5	24	/	11.5	24.4
CL536-0409-4-21	10	21.5	24	/	11.5	24.4
CL536-0410-3-21	11	26	32	/	14.2	32.4
CL536-0411-6-21	12	26	32	/	14.2	32.4
CL536-0413-1-21	14	26	32	/	14.2	32.4
CL536-0414-4-21	15	37	44	/	20.2	44.4

DETAIL OF PART No. LABEL

DATE OF MANUFACTURED	年	月	日
CODE No.			
PART No.	DF13C-*	P-1.25V(21)	
QUANTITY	1000	KO	
SUPPLIER	HIROSE ELECTRIC CO., LTD.		

NOTES 5 1REEL : 1000 CONNECTORS.

- 6 AT THE BEGINNING OF THE REEL, 30 COMPONENTS SHALL BE EMPTY.
- 7 AT THE END OF THE REEL, 20 COMPONENTS SHALL BE EMPTY.
- 8 WHEN THE TAPE WIDTH IS 32 OR 44mm, SPROCKET HOLES SHALL BE SET ON BOTH SIDES OF REEL AS SHOWN ON THIS DRAWING.
- 9 WHEN THE TAPE WIDTH IS 44mm OR OVER, THE TOLERANCE SHALL BE 21 0. 15.
- 10 DETAIL OF PART No. LABEL IS WRITTEN IN JAPANESE.
- 10 PEEL FORCE BETWEEN EMBOSSED CARRIER TAPE AND COVER TAPE IS 0. 1~0. 7N.

STYLE AND DIMENSION OF REEL

DIRECTION OF UNREELING

HRS

DRAWING NO. EDC3-083672-03

PART NO. DF13C- *P-1.25V(21)

CODE CL536-

2/2