



Chipsmall Limited consists of a professional team with an average of over 10 year of expertise in the distribution of electronic components. Based in Hongkong, we have already established firm and mutual-benefit business relationships with customers from,Europe,America and south Asia,supplying obsolete and hard-to-find components to meet their specific needs.

With the principle of “Quality Parts,Customers Priority,Honest Operation,and Considerate Service”,our business mainly focus on the distribution of electronic components. Line cards we deal with include Microchip,ALPS,ROHM,Xilinx,Pulse,ON,Everlight and Freescale. Main products comprise IC,Modules,Potentiometer,IC Socket,Relay,Connector.Our parts cover such applications as commercial,industrial, and automotives areas.

We are looking forward to setting up business relationship with you and hope to provide you with the best service and solution. Let us make a better world for our industry!



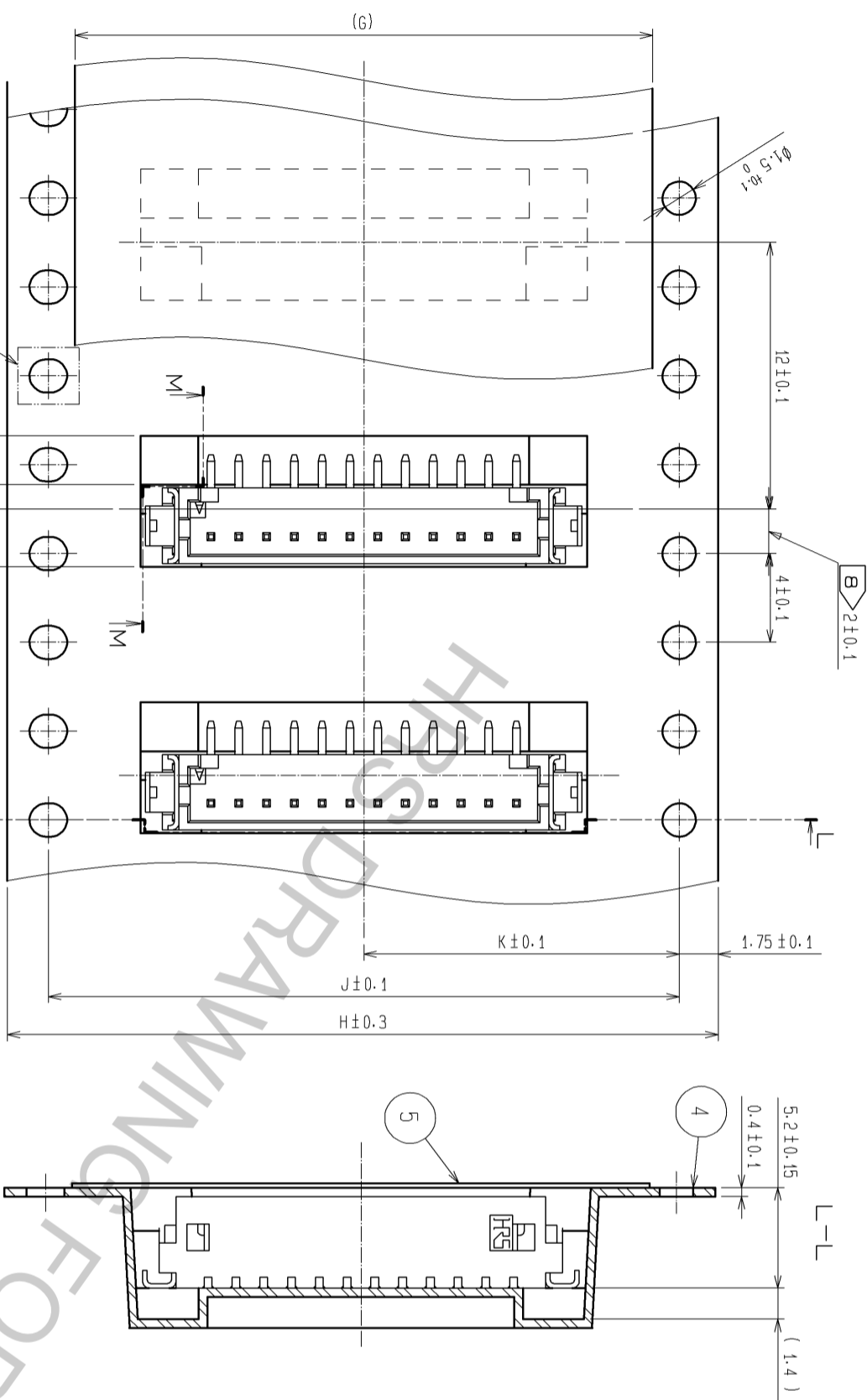
Contact us

Tel: +86-755-8981 8866 Fax: +86-755-8427 6832

Email & Skype: info@chipsmall.com Web: www.chipsmall.com

Address: A1208, Overseas Decoration Building, #122 Zhenhua RD., Futian, Shenzhen, China





CODE No.	CONTACT	G	H	J	K	L
CL536-0401-2-21	2	13.5	16	/	7.5	16.4
CL536-0402-5-21	3	13.5	16	/	7.5	16.4
CL536-0403-8-21	4	21.5	24	/	11.5	24.4
CL536-0404-0-21	5	21.5	24	/	11.5	24.4
CL536-0405-3-21	6	21.5	24	/	11.5	24.4
CL536-0406-6-21	7	21.5	24	/	11.5	24.4
CL536-0407-9-21	8	21.5	24	/	11.5	24.4
CL536-0408-1-21	9	21.5	24	/	11.5	24.4
CL536-0409-4-21	10	21.5	24	/	11.5	24.4
CL536-0410-3-21	11	26	32	/	14.2	32.4
CL536-0411-6-21	12	26	32	/	14.2	32.4
CL536-0413-1-21	14	26	32	/	14.2	32.4
CL536-0414-4-21	15	37	44	/	20.2	44.4

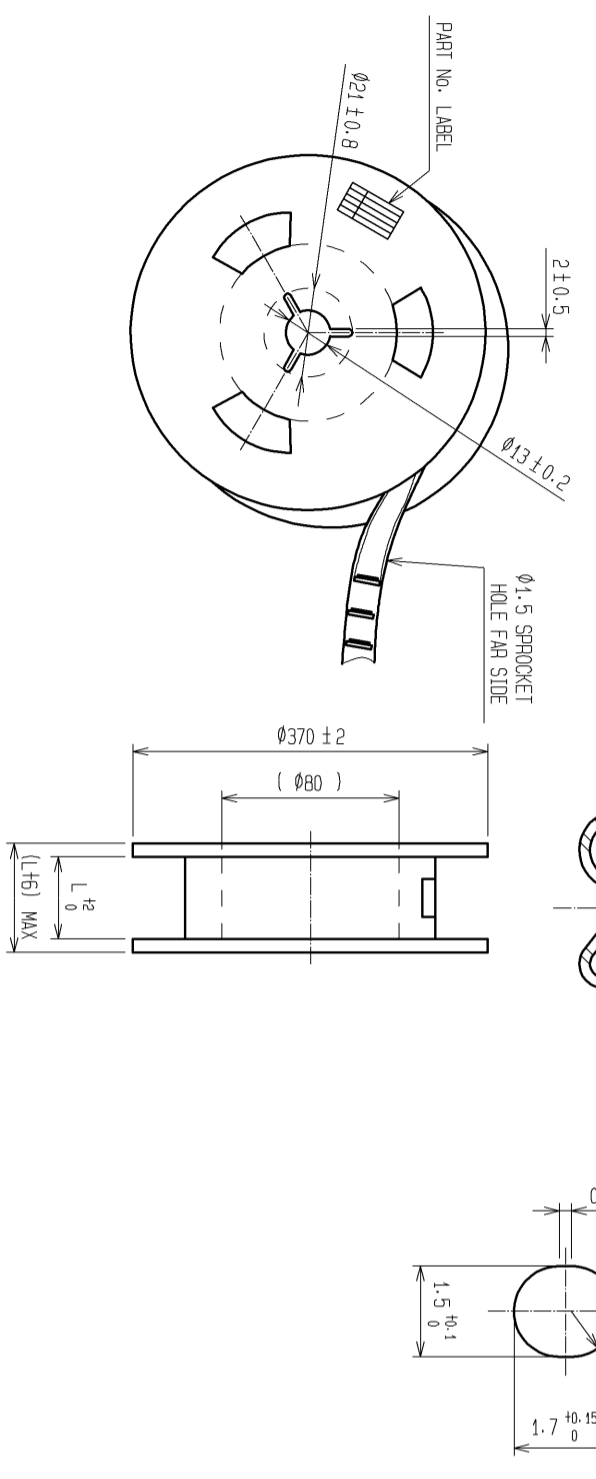
DETAIL OF PART No. LABEL

DATE OF MANUFACTURED	年	月	日
CODE No.			
PART No.	DF13C-*	P-1.25V(21)	
QUANTITY	1000	KO	
SUPPLIER	HIROSE ELECTRIC CO., LTD.		

NOTES

- 5 1 REEL : 1000 CONNECTORS.
- 6 AT THE BEGINNING OF THE REEL, 30 COMPONENTS SHALL BE EMPTY.
- 7 AT THE END OF THE REEL, 20 COMPONENTS SHALL BE EMPTY.
- 8 WHEN THE TAPE WIDTH IS 32 OR 44mm, SPROCKET HOLES SHALL BE SET ON BOTH SIDES OF REEL AS SHOWN ON THIS DRAWING.
- 9 WHEN THE TAPE WIDTH IS 44mm OR OVER, THE TOLERANCE SHALL BE 21 0. 15.
- 10 PEEL FORCE BETWEEN EMBOSSED CARRIER TAPE AND COVER TAPE IS 0. 1~0. 7N.

STYLE AND DIMENSION OF REEL



HRS

DRAWING NO. EDC3-083672-03

PART NO. DF13C- *P-1.25V(21)

CODE CL536-

2/2