



Chipsmall Limited consists of a professional team with an average of over 10 year of expertise in the distribution of electronic components. Based in Hongkong, we have already established firm and mutual-benefit business relationships with customers from,Europe,America and south Asia,supplying obsolete and hard-to-find components to meet their specific needs.

With the principle of “Quality Parts,Customers Priority,Honest Operation,and Considerate Service”,our business mainly focus on the distribution of electronic components. Line cards we deal with include Microchip,ALPS,ROHM,Xilinx,Pulse,ON,Everlight and Freescale. Main products comprise IC,Modules,Potentiometer,IC Socket,Relay,Connector.Our parts cover such applications as commercial,industrial, and automotives areas.

We are looking forward to setting up business relationship with you and hope to provide you with the best service and solution. Let us make a better world for our industry!



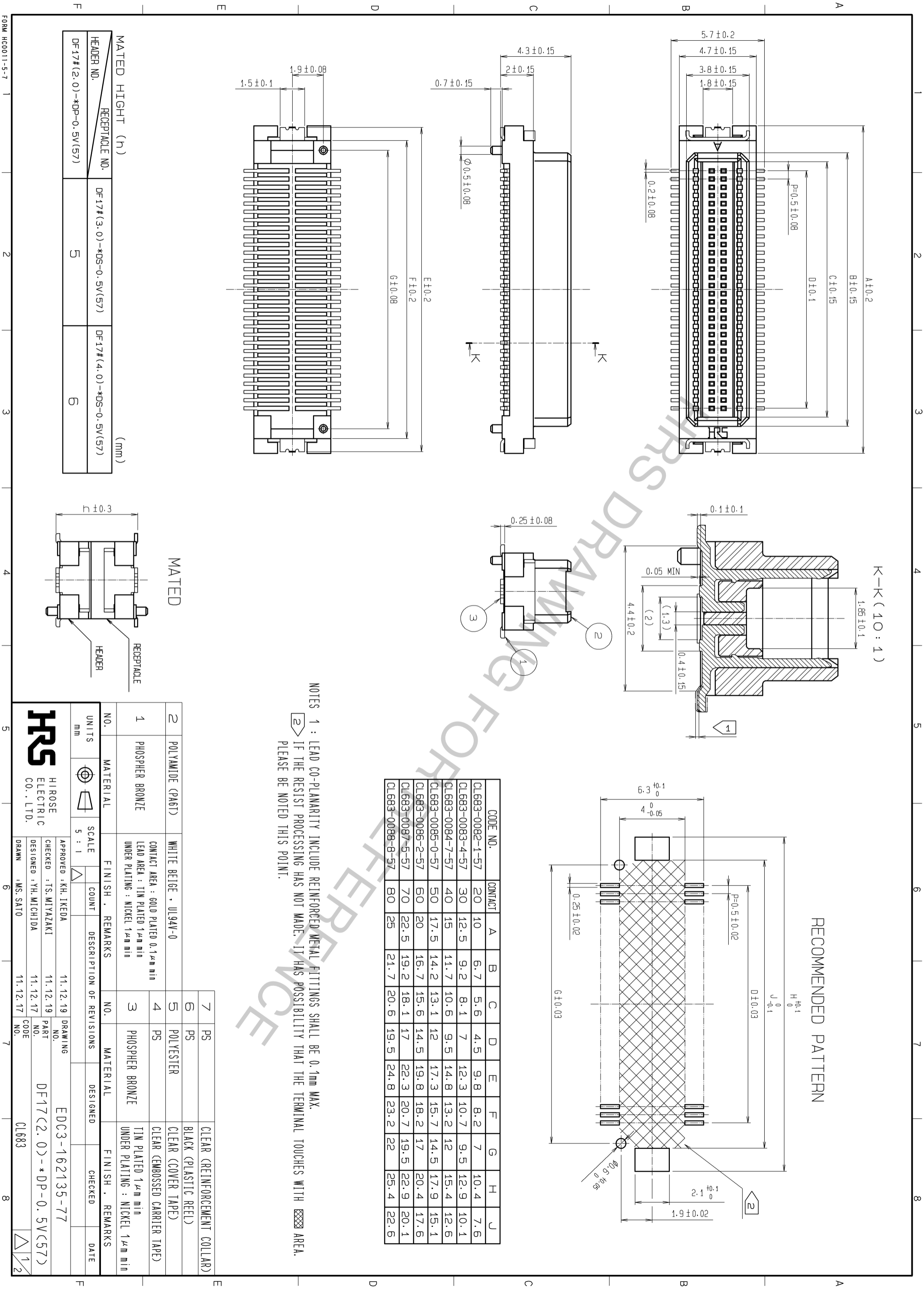
## Contact us

Tel: +86-755-8981 8866 Fax: +86-755-8427 6832

Email & Skype: info@chipsmall.com Web: www.chipsmall.com

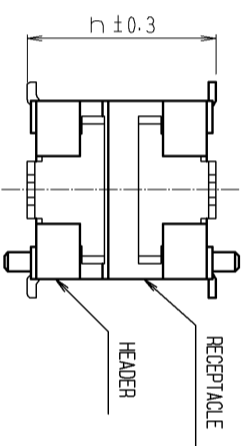
Address: A1208, Overseas Decoration Building, #122 Zhenhua RD., Futian, Shenzhen, China





MATED HEIGHT (h) (mm)

RECEPTACLE NO.	DF17#(3.0)-*DS-0.5V(57)	DF17#(4.0)-*DS-0.5V(57)
HEADER NO.	5	6
DF17#(2.0)-*DP-0.5V(57)		



MATED

NOTES 1 : LEAD CO-PLANARITY INCLUDE REINFORCED METAL FITTINGS SHALL BE 0.1mm MAX.  
 2 IF THE RESIST PROCESSING HAS NOT MADE, IT HAS POSSIBILITY THAT THE TERMINAL TOUCHES WITH AREA.  
 PLEASE BE NOTED THIS POINT.

CODE NO.	CONTACT	A	B	C	D	E	F	G	H	J
CL683-0082-1-57	20	10	6.7	5.6	4.5	9.8	8.2	7	10.4	7.6
CL683-0083-4-57	30	12.5	9.2	8.1	7	12.3	10.7	9.5	12.9	10.1
CL683-0084-7-57	40	15	11.7	10.6	9.5	14.8	13.2	12	15.4	12.6
CL683-0085-0-57	50	17.5	14.2	13.1	12	17.3	15.7	14.5	17.9	15.1
CL683-0086-2-57	60	20	16.7	15.6	14.5	19.8	18.2	17	20.4	17.6
CL683-0087-5-57	70	22.5	19.2	18.1	17	22.3	20.7	19.5	22.9	20.1
CL683-0088-8-57	80	25	21.7	20.6	19.5	24.8	23.2	22	25.4	22.6

NO.	MATERIAL	FINISH	REMARKS	NO.	MATERIAL	FINISH	REMARKS
1	PHOSPHER BRONZE		CONTACT AREA : GOLD PLATED 0.1 $\mu$ m min LEAD AREA : TIN PLATED 1 $\mu$ m min UNDER PLATING : NICKEL 1 $\mu$ m min	3	PHOSPHER BRONZE		TIN PLATED 1 $\mu$ m min UNDER PLATING : NICKEL 1 $\mu$ m min
2	POLYAMIDE (PART)		WHITE BEIGE • UL94V-0	4	PS		CLEAR (REINFORCEMENT COLLAR)
				5	PS		BLACK (PLASTIC REEL)
				6	PS		CLEAR (COVER TAPE)
				7	PS		CLEAR (EMBOSSED CARRIER TAPE)

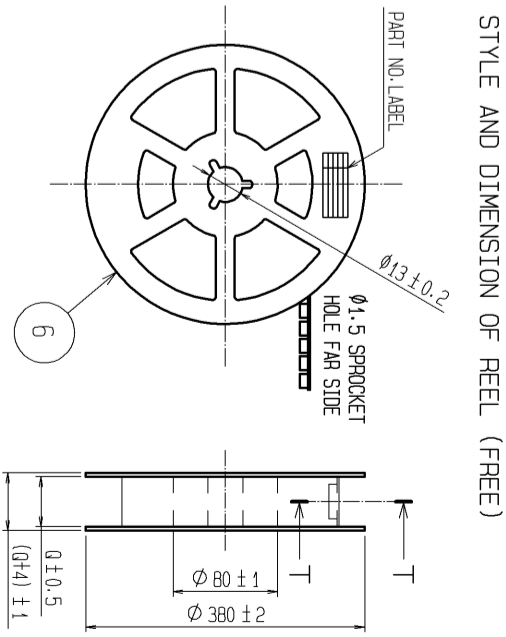
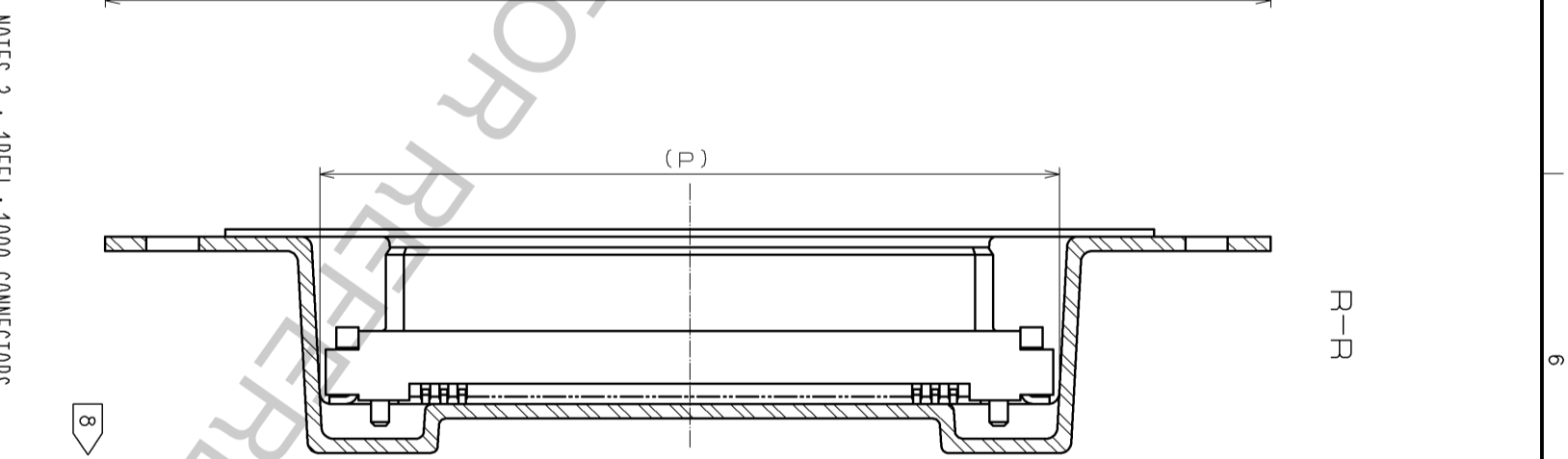
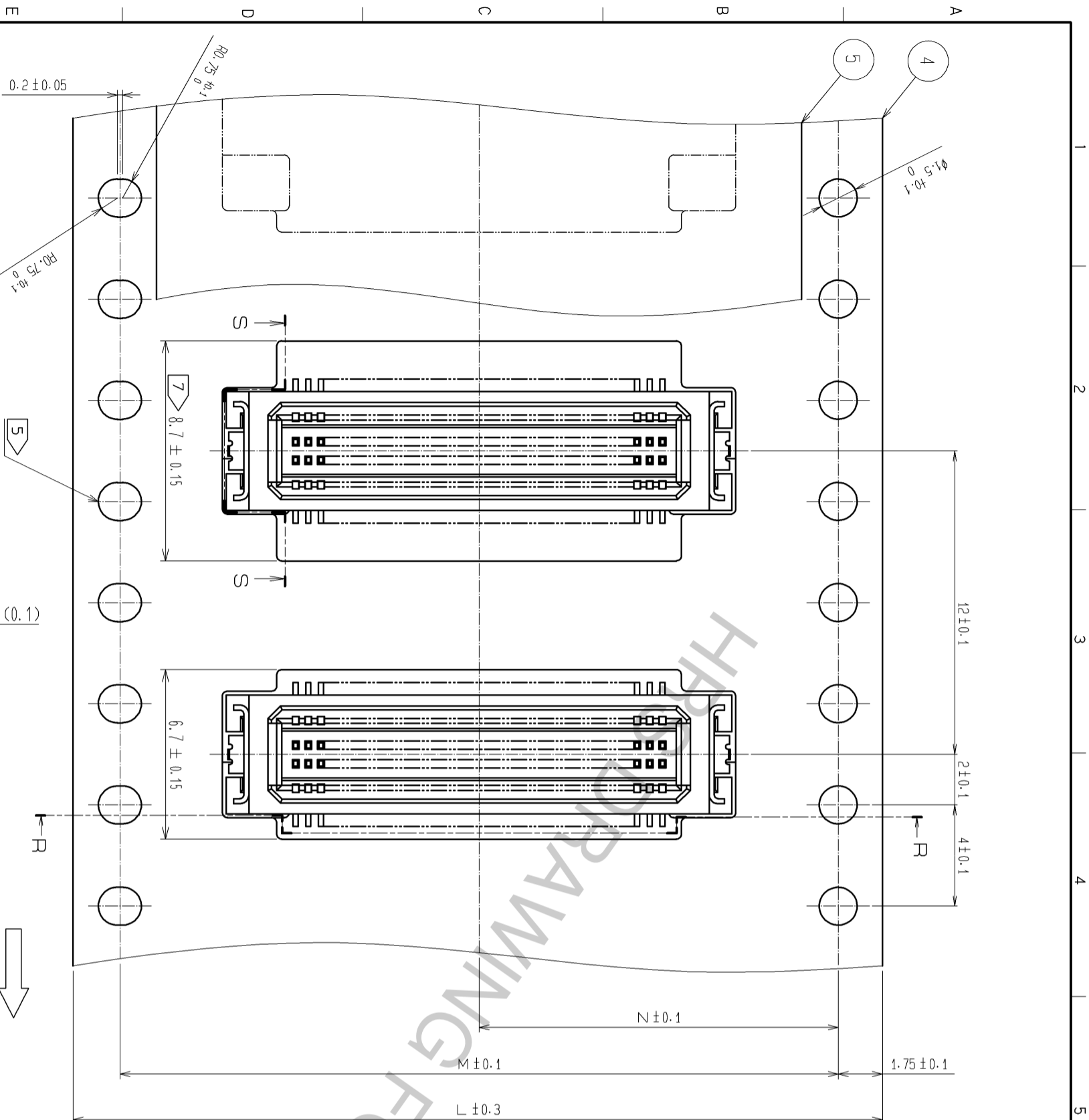
UNITS	SCALE	COUNT	DESCRIPTION OF REVISIONS	DESIGNED	CHECKED	DATE
mm	5 : 1					

APPROVED	CHECKED	DESIGNED	DRAWN	NO.	PART NO.	CODE
KH. IKEDA	TS. MIYAZAKI	YH. MICHIDA	MS. SATO	11.12.19	DF17(2.0)-*DP-0.5V(57)	CL683

EDC3-162135-77	DATE
11.12.19	11.12.17



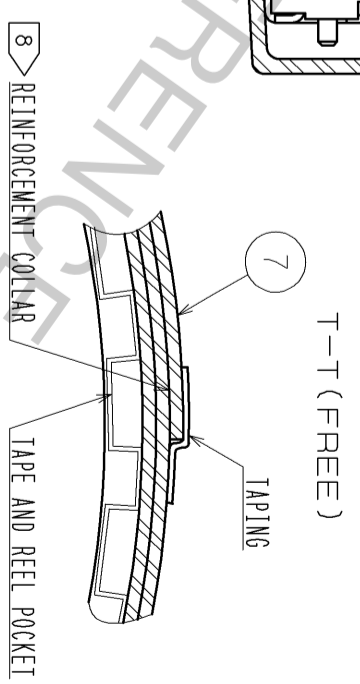
STYLE AND DIMENSION OF REEL (FREE)

PART NO. LABEL

DETAIL OF PART NO. LABEL

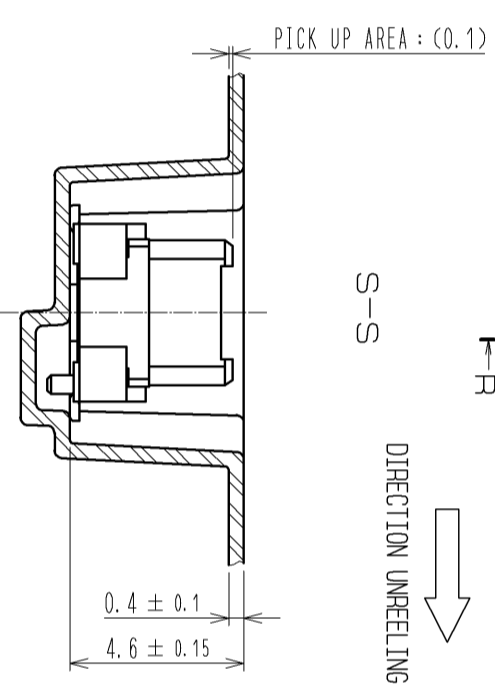
生産月日	年	月	日
図番	CL683-***-*-57		
品名	DF17(2.0)-*DP-0.5V(57)		
納入数量	1000K0		
納入者	ヒロセ電機(株)		

SUPPLIER  
QUANTITY  
PART NO.  
CODE NO.  
DATE OF MANUFACTURED



NOTES 3 : REEL : 1000 CONNECTORS.  
4 : AT THE BEGINNING OF THE REEL , 30 COMPONENTS SHALL BE EMPTY.  
5 : WHEN THE TAPE WIDTH IS 32mm or 44mm, SPROCKET HOLES SHALL BE SET ON BOTH SIDES OF REEL AS SHOWN ON THIS DRAWING.  
6 : PEEL FORCE REFERS TO JIS C 0806.  
7 : ONE POCKET WIDTH IS BIGGER THAN OTHER IN CERTAIN DISTANCE.  
8 : AFTER PACKAGING, ROLL 2 METERS OF THE REINFORCEMENT COLLAR TO OUTER CIRCUMFERENCE OF TAPE AND REEL POCKET, AND TAPE DOWN AT THE END THE COLLAR.

CODE NO.	CONTACT	L	M	N	P	Q
CL683-0082-1-57	20	24	-	11.5	10.3	25.5
CL683-0083-4-57	30	24	-	11.5	12.8	25.5
CL683-0084-7-57	40	24	-	11.5	15.3	25.5
CL683-0085-0-57	50	32	28.4	14.2	17.8	33.5
CL683-0086-2-57	60	32	28.4	14.2	20.3	33.5
CL683-0087-5-57	70	44	40.4	20.2	22.8	45.5
CL683-0088-8-57	80	44	40.4	20.2	25.3	45.5



**HRS**

DRAWING NO. EDC3-162135-77

PART NO. DF17(2.0)-\*DP-0.5V(57)

CODE CL683

2/2