



Chipsmall Limited consists of a professional team with an average of over 10 year of expertise in the distribution of electronic components. Based in Hongkong, we have already established firm and mutual-benefit business relationships with customers from,Europe,America and south Asia,supplying obsolete and hard-to-find components to meet their specific needs.

With the principle of “Quality Parts,Customers Priority,Honest Operation,and Considerate Service”,our business mainly focus on the distribution of electronic components. Line cards we deal with include Microchip,ALPS,ROHM,Xilinx,Pulse,ON,Everlight and Freescale. Main products comprise IC,Modules,Potentiometer,IC Socket,Relay,Connector.Our parts cover such applications as commercial,industrial, and automotives areas.

We are looking forward to setting up business relationship with you and hope to provide you with the best service and solution. Let us make a better world for our industry!



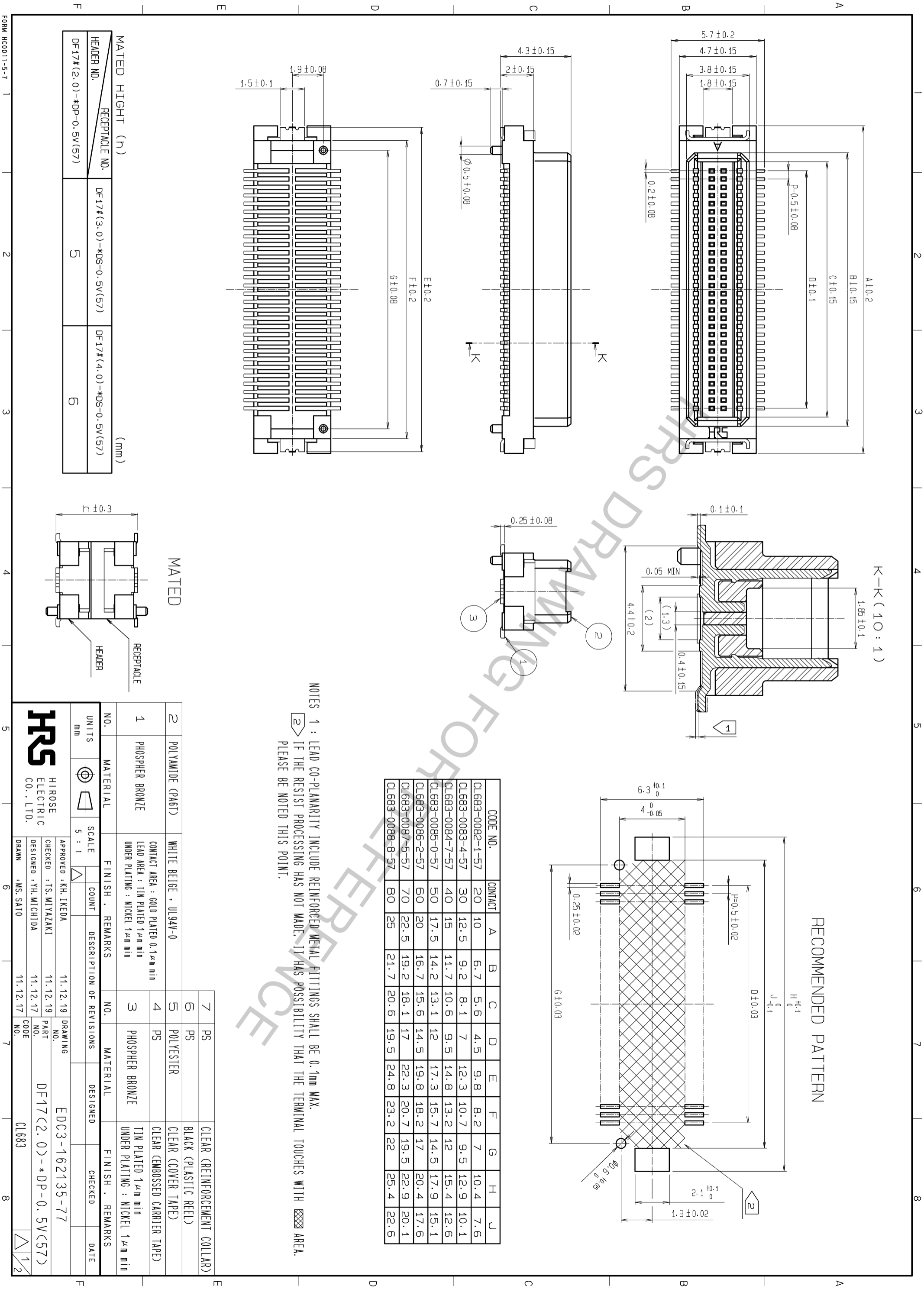
Contact us

Tel: +86-755-8981 8866 Fax: +86-755-8427 6832

Email & Skype: info@chipsmall.com Web: www.chipsmall.com

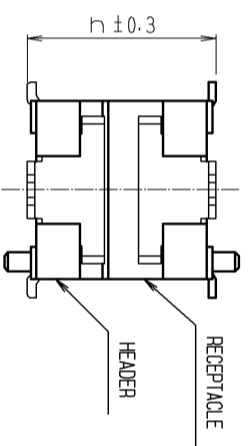
Address: A1208, Overseas Decoration Building, #122 Zhenhua RD., Futian, Shenzhen, China



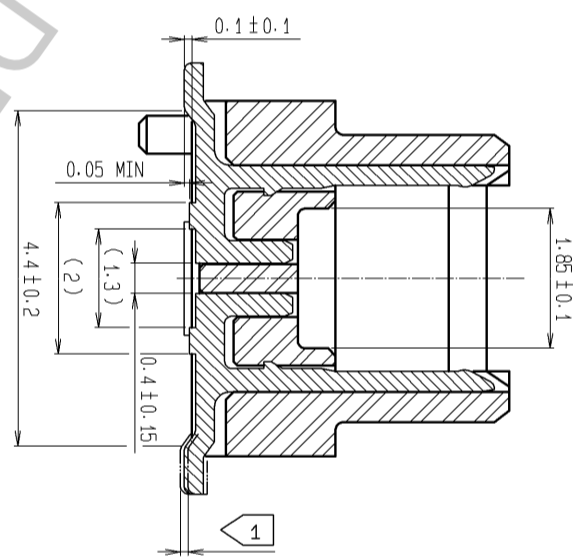


MATED HEIGHT (h) (mm)

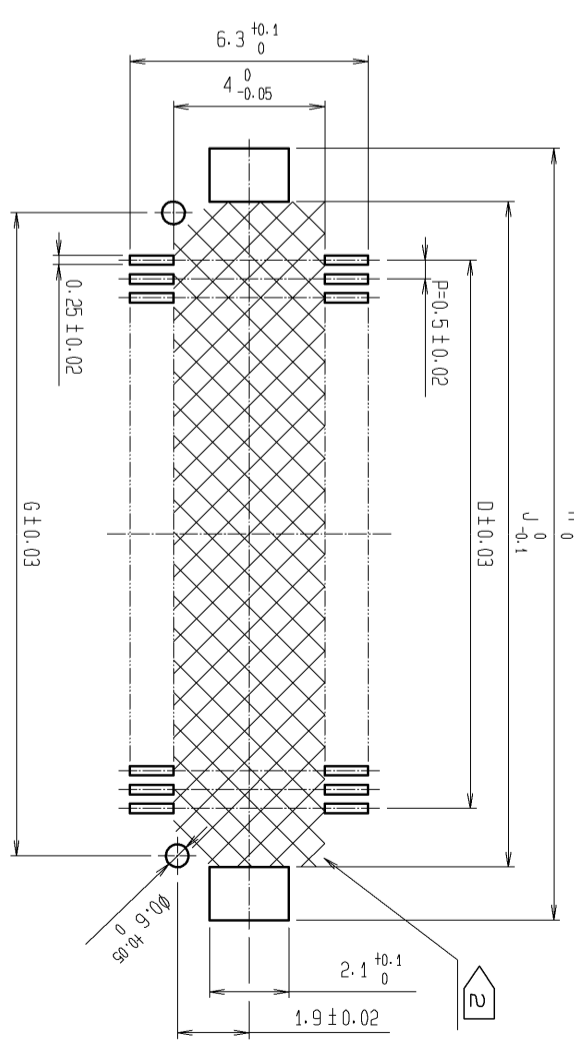
HEADER NO.	RECEPTACLE NO.	DF17#(3.0)-*DS-0.5V(57)	DF17#(4.0)-*DS-0.5V(57)
DF17#(2.0)-*DP-0.5V(57)	5	6	



K-K (10:1)



RECOMMENDED PATTERN



CODE NO.	CONTACT	A	B	C	D	E	F	G	H	J
CL683-0082-1-57	20	10	6.7	5.6	4.5	9.8	8.2	7	10.4	7.6
CL683-0083-4-57	30	12.5	9.2	8.1	7	12.3	10.7	9.5	12.9	10.1
CL683-0084-7-57	40	15	11.7	10.6	9.5	14.8	13.2	12	15.4	12.6
CL683-0085-0-57	50	17.5	14.2	13.1	12	17.3	15.7	14.5	17.9	15.1
CL683-0086-2-57	60	20	16.7	15.6	14.5	19.8	18.2	17	20.4	17.6
CL683-0087-5-57	70	22.5	19.2	18.1	17	22.3	20.7	19.5	22.9	20.1
CL683-0088-8-57	80	25	21.7	20.6	19.5	24.8	23.2	22	25.4	22.6

NOTES
 1 : LEAD CO-PLANARITY INCLUDE REINFORCED METAL FITTINGS SHALL BE 0.1mm MAX.
 2 IF THE RESIST PROCESSING HAS NOT MADE, IT HAS POSSIBILITY THAT THE TERMINAL TOUCHES WITH AREA.
 PLEASE BE NOTED THIS POINT.

NO.	MATERIAL	FINISH	REMARKS	NO.	MATERIAL	FINISH	REMARKS
2	POLYAMIDE (PART)	WHITE BEIGE	UL94V-0	7	PS	CLEAR	(REINFORCEMENT COLLAR)
1	PHOSPHOR BRONZE		CONTACT AREA : GOLD PLATED 0.1µm min LEAD AREA : TIN PLATED 1µm min UNDER PLATING : NICKEL 1µm min	8	PS	BLACK	(PLASTIC REEL)
				5	POLYESTER	CLEAR	(COVER TAPE)
				4	PS	CLEAR	(EMBOSSED CARRIER TAPE)
				3	PHOSPHOR BRONZE	TIN PLATED 1µm min UNDER PLATING : NICKEL 1µm min	

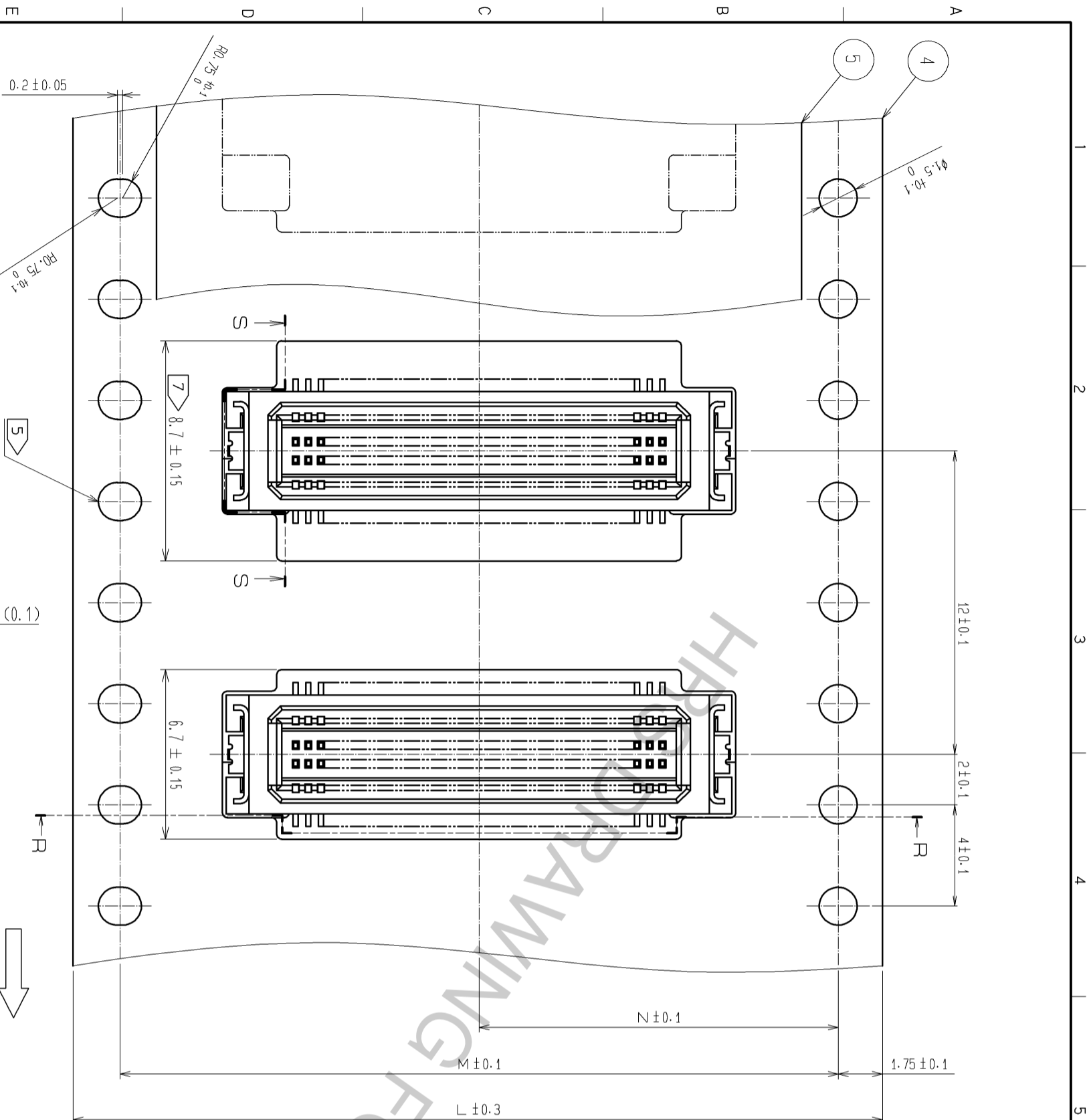
UNITS	SCALE	COUNT	DESCRIPTION OF REVISIONS	DESIGNED	CHECKED	DATE
mm	5 : 1					

NO.	MATERIAL	FINISH	REMARKS
7	PS	CLEAR	(REINFORCEMENT COLLAR)
8	PS	BLACK	(PLASTIC REEL)
5	POLYESTER	CLEAR	(COVER TAPE)
4	PS	CLEAR	(EMBOSSED CARRIER TAPE)
3	PHOSPHOR BRONZE	TIN PLATED 1µm min UNDER PLATING : NICKEL 1µm min	

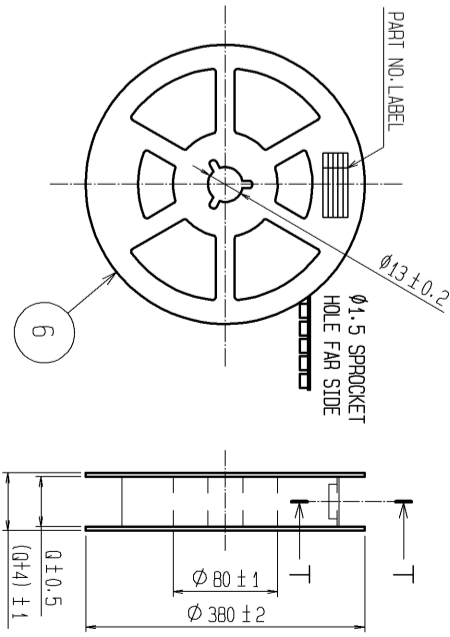
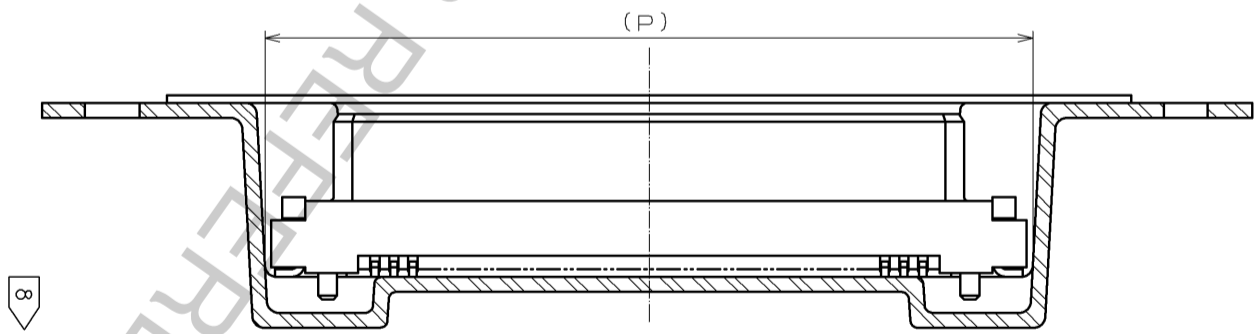
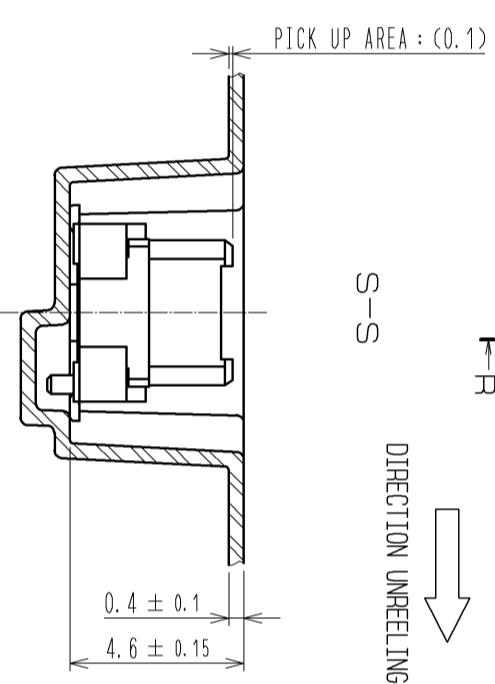
APPROVED	CHECKED	DESIGNED	DRAWN
KH. IKEDA	TS. MIYAZAKI	YH. MICHIDA	MS. SATO

NO.	DATE	NO.	DATE
11.12.19	11.12.19	11.12.17	11.12.17

NO.	DATE	NO.	DATE
EDC3-162135-77	DF17(2.0)-*DP-0.5V(57)	CL683	CL683



CODE NO.	CONTACT	L	M	N	P	Q
CL683-0082-1-57	20	24	-	11.5	10.3	25.5
CL683-0083-4-57	30	24	-	11.5	12.8	25.5
CL683-0084-7-57	40	24	-	11.5	15.3	25.5
CL683-0085-0-57	50	32	28.4	14.2	17.8	33.5
CL683-0086-2-57	60	32	28.4	14.2	20.3	33.5
CL683-0087-5-57	70	44	40.4	20.2	22.8	45.5
CL683-0088-8-57	80	44	40.4	20.2	25.3	45.5

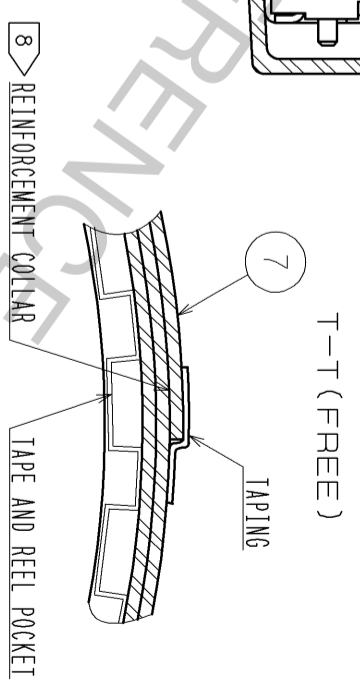


STYLE AND DIMENSION OF REEL (FREE)

SUPPLIER
QUANTITY
PART NO.
CODE NO.
DATE OF MANUFACTURED

DETAIL OF PART NO. LABEL

生産月日	年	月	日
図番	CL683-***-*-57		
品名	DF17(2.0)-*DP-0.5V(57)		
納入数量	1000K0		
納入者	ヒロセ電機(株)		



- NOTES 3 : REEL : 1000 CONNECTORS.
4 : AT THE BEGINNING OF THE REEL , 30 COMPONENTS SHALL BE EMPTY.
5 : WHEN THE TAPE WIDTH IS 32mm or 44mm, SPROCKET HOLES SHALL BE SET ON BOTH SIDES OF REEL AS SHOWN ON THIS DRAWING.
6 : PEEL FORCE REFERS TO JIS C 0806.
7 : ONE POCKET WIDTH IS BIGGER THAN OTHER IN CERTAIN DISTANCE.
8 : AFTER PACKAGING, ROLL 2 METERS OF THE REINFORCEMENT COLLAR TO OUTER CIRCUMFERENCE OF TAPE AND REEL POCKET, AND TAPE DOWN AT THE END THE COLLAR.

FORM HC0011-5-8 1 2 3 4 5 6 7 8

HRS

DRAWING NO. EDC3-162135-77
PART NO. DF17(2.0)-*DP-0.5V(57)
CODE CL683