



Chipsmall Limited consists of a professional team with an average of over 10 year of expertise in the distribution of electronic components. Based in Hongkong, we have already established firm and mutual-benefit business relationships with customers from,Europe,America and south Asia,supplying obsolete and hard-to-find components to meet their specific needs.

With the principle of “Quality Parts,Customers Priority,Honest Operation,and Considerate Service”,our business mainly focus on the distribution of electronic components. Line cards we deal with include Microchip,ALPS,ROHM,Xilinx,Pulse,ON,Everlight and Freescale. Main products comprise IC,Modules,Potentiometer,IC Socket,Relay,Connector.Our parts cover such applications as commercial,industrial, and automotives areas.

We are looking forward to setting up business relationship with you and hope to provide you with the best service and solution. Let us make a better world for our industry!



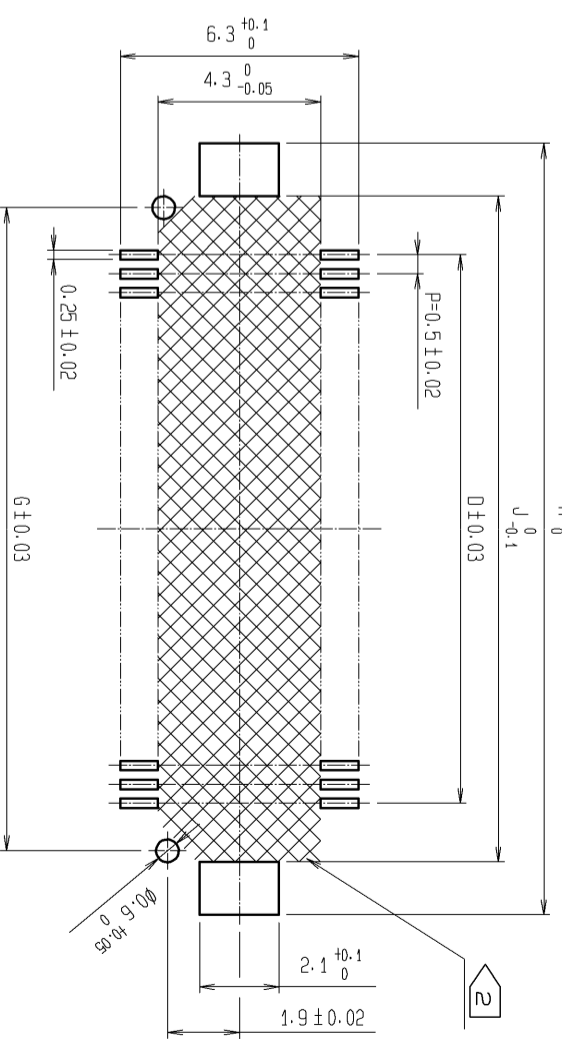
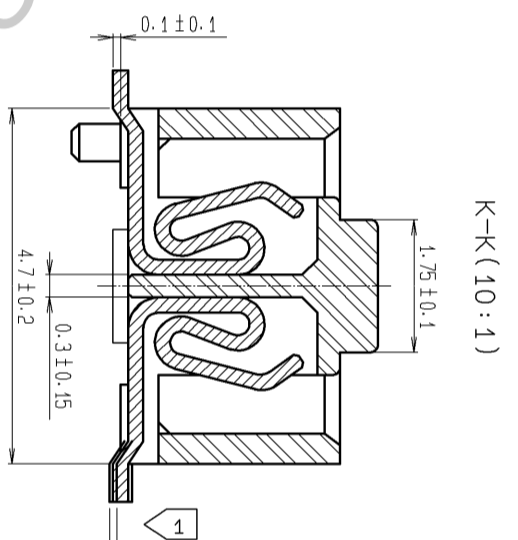
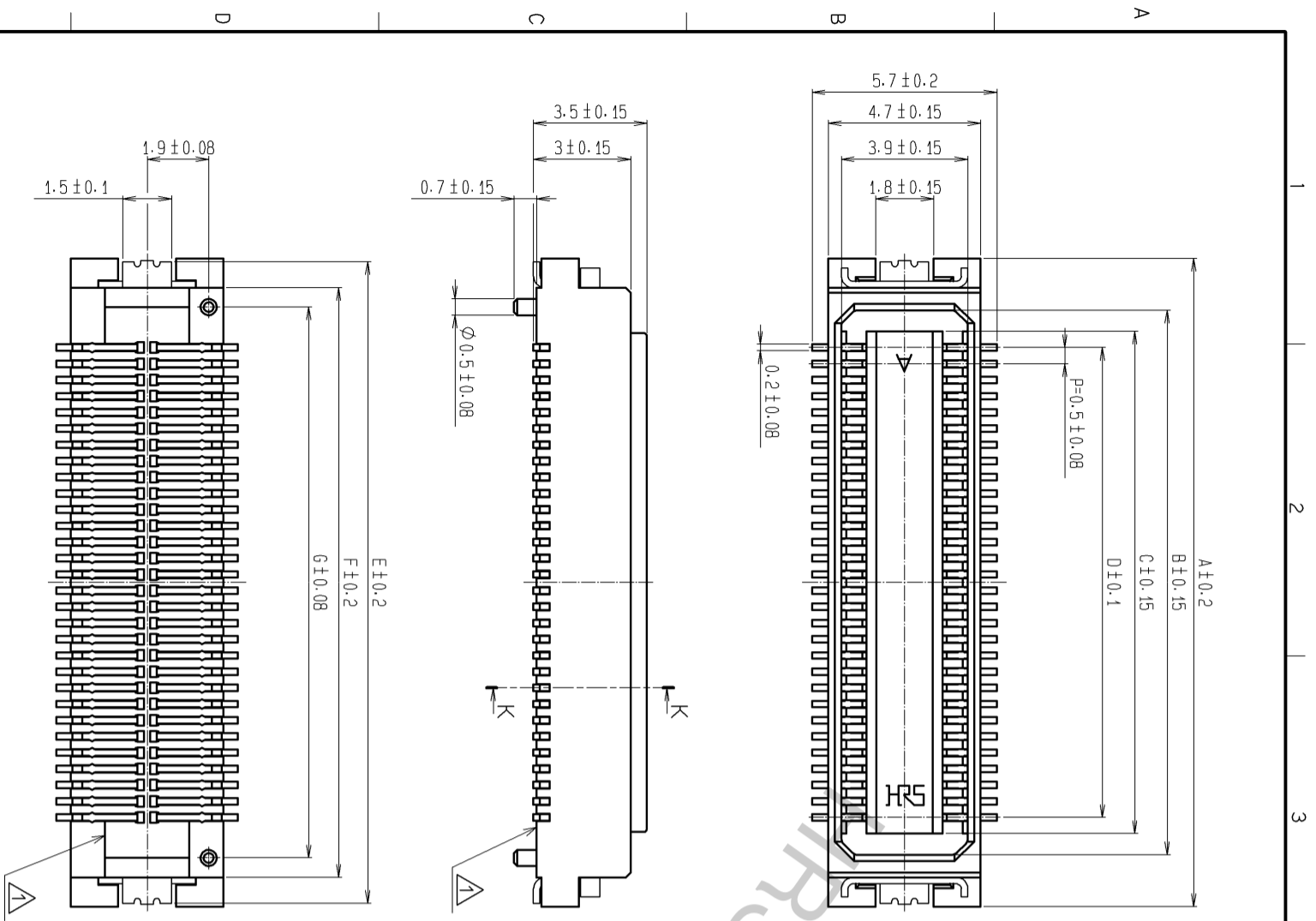
## Contact us

Tel: +86-755-8981 8866 Fax: +86-755-8427 6832

Email & Skype: info@chipsmall.com Web: www.chipsmall.com

Address: A1208, Overseas Decoration Building, #122 Zhenhua RD., Futian, Shenzhen, China



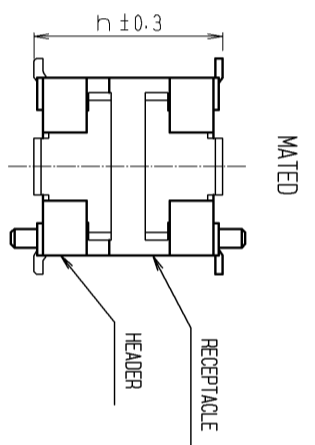


RECOMMENDED PATTERN

CODE NO.	CONTACT	A	B	C	D	E	F	G	H	J
CL683-0002-2-57	20	10	6.8	5.5	4.5	9.8	8.2	7	10.4	7.6
CL683-0241-3-57	26	11.5	8.3	7	6	11.3	9.7	8.5	11.9	9.1
CL683-0003-5-57	30	12.5	9.3	8	7	12.3	10.7	9.5	12.9	10.1
CL683-0004-8-57	40	15	11.8	10.5	9.5	14.8	13.2	12	15.4	12.6
CL683-0005-0-57	50	17.5	14.3	13	12	17.3	15.7	14.5	17.9	15.1
CL683-0006-3-57	60	20	16.8	15.5	14.5	19.8	18.2	17	20.4	17.6
CL683-0007-6-57	70	22.5	19.3	18	17	22.3	20.7	19.5	22.9	20.1
CL683-0008-9-57	80	25	21.8	20.5	19.5	24.8	23.2	22	25.4	22.6

NOTES 1 : LEAD CO-PLANARITY INCLUDE REINFORCED METAL FITTINGS SHALL BE 0.1mm MAX.  
 2 WATCH NOT LET THE CONTACTS TOUCH THE SECTION ESPECIALLY  
 WHEN THE PADS OF AREA NOT RESIST FINISHED.

MATED HEIGHT (h)	RECEPTACLE NO.	(mm)
DF17#(2.0)-*DP-0.5V(57)	DF17#(3.0)-*DS-0.5V(57)	5
DF17#(4.0)-*DP-0.5V(57)		7



NO.	MATERIAL	FINISH	REMARKS	NO.	MATERIAL	FINISH	REMARKS
1	PHOSPHER BRONZE		CONTACT AREA : GOLD PLATED 0.1µm min LEAD AREA : GOLD PLATED 0.02µm min UNDER PLATING : NICKEL 1µm min	3	PHOSPHER BRONZE		TIN PLATED 1µm min UNDER PLATING : NICKEL 1µm min
2	POLYAMIDE (PART)		WHITE BEIGE · UL94V-0	7	PS		CLEAR (REINFORCEMENT COLLAR)
				8	PS		BLACK (PLASTIC REEL)
				9	POLYESTER		CLEAR (COVER TAPE)
				4	PS		CLEAR (EMBOSSED CARRIER TAPE)

UNITS	SCALE	COUNT	DESCRIPTION OF REVISIONS	DESIGNED	CHECKED	DATE
mm	5 : 1	3	DIS-H-008322	KR. AJITO	YH. MICHIDA	13.11.20

APPROVED	CHECKED	DESIGNED	DRAWING	PART	CODE
KH. IKEDA	TS. MIYAZAKI	YH. MICHIDA	EDC3-162127-77	DF17(3.0)-*DS-0.5V(57)	CL683

