



Chipsmall Limited consists of a professional team with an average of over 10 year of expertise in the distribution of electronic components. Based in Hongkong, we have already established firm and mutual-benefit business relationships with customers from,Europe,America and south Asia,supplying obsolete and hard-to-find components to meet their specific needs.

With the principle of “Quality Parts,Customers Priority,Honest Operation,and Considerate Service”,our business mainly focus on the distribution of electronic components. Line cards we deal with include Microchip,ALPS,ROHM,Xilinx,Pulse,ON,Everlight and Freescale. Main products comprise IC,Modules,Potentiometer,IC Socket,Relay,Connector.Our parts cover such applications as commercial,industrial, and automotives areas.

We are looking forward to setting up business relationship with you and hope to provide you with the best service and solution. Let us make a better world for our industry!



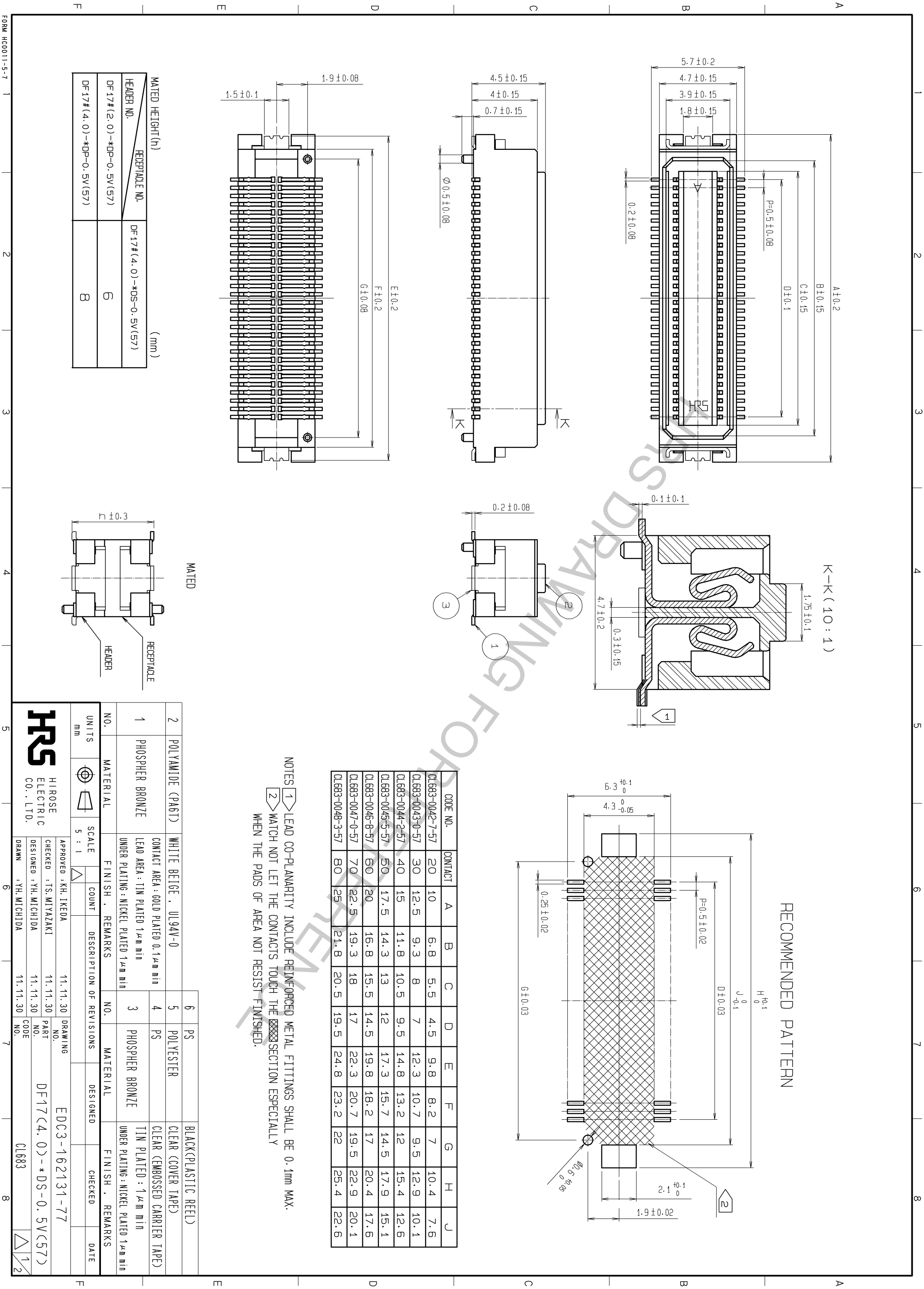
Contact us

Tel: +86-755-8981 8866 Fax: +86-755-8427 6832

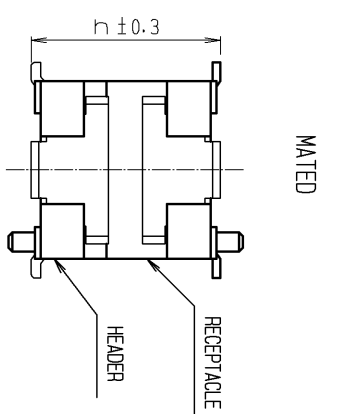
Email & Skype: info@chipsmall.com Web: www.chipsmall.com

Address: A1208, Overseas Decoration Building, #122 Zhenhua RD., Futian, Shenzhen, China

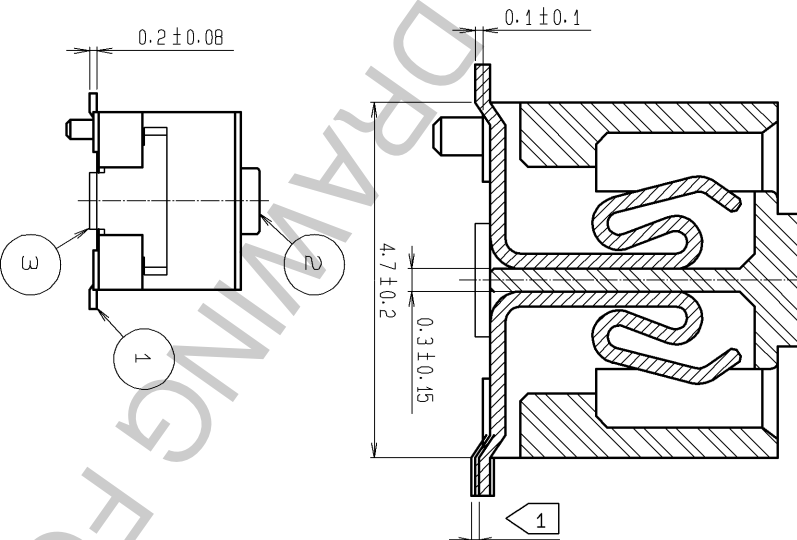




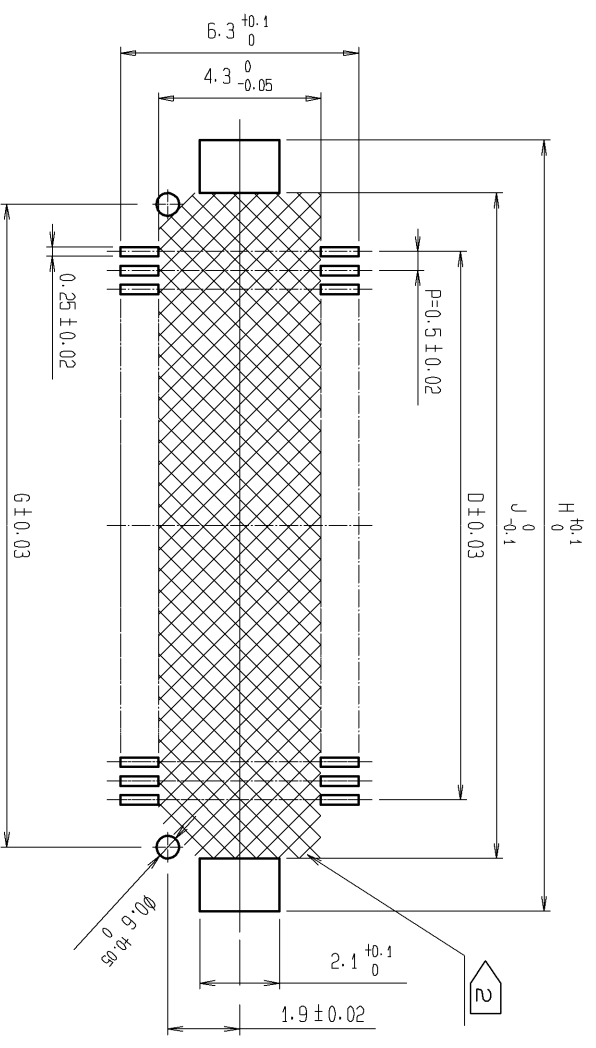
MATED HEIGHT (h) (mm)	
HEADER NO.	RECEPTACLE NO.
DF17#(2.0)-*DP-0.5V(S7)	DF17#(4.0)-*DS-0.5V(S7)
6	6
DF17#(4.0)-*DP-0.5V(S7)	8



K-K (10:1)



RECOMMENDED PATTERN



CODE NO.	CONTACT	A	B	C	D	E	F	G	H	J
QL683-0042-7-57	20	10	6.8	5.5	4.5	9.8	8.2	7	10.4	7.6
QL683-0043-0-57	30	12.5	9.3	8	7	12.3	10.7	9.5	12.9	10.1
QL683-0044-2-57	40	15	11.8	10.5	9.5	14.8	13.2	12	15.4	12.6
QL683-0045-5-57	50	17.5	14.3	13	12	17.3	15.7	14.5	17.9	15.1
QL683-0046-8-57	60	20	16.8	15.5	14.5	19.8	18.2	17	20.4	17.6
QL683-0047-0-57	70	22.5	19.3	18	17	22.3	20.7	19.5	22.9	20.1
QL683-0048-3-57	80	25	21.8	20.5	19.5	24.8	23.2	22	25.4	22.6

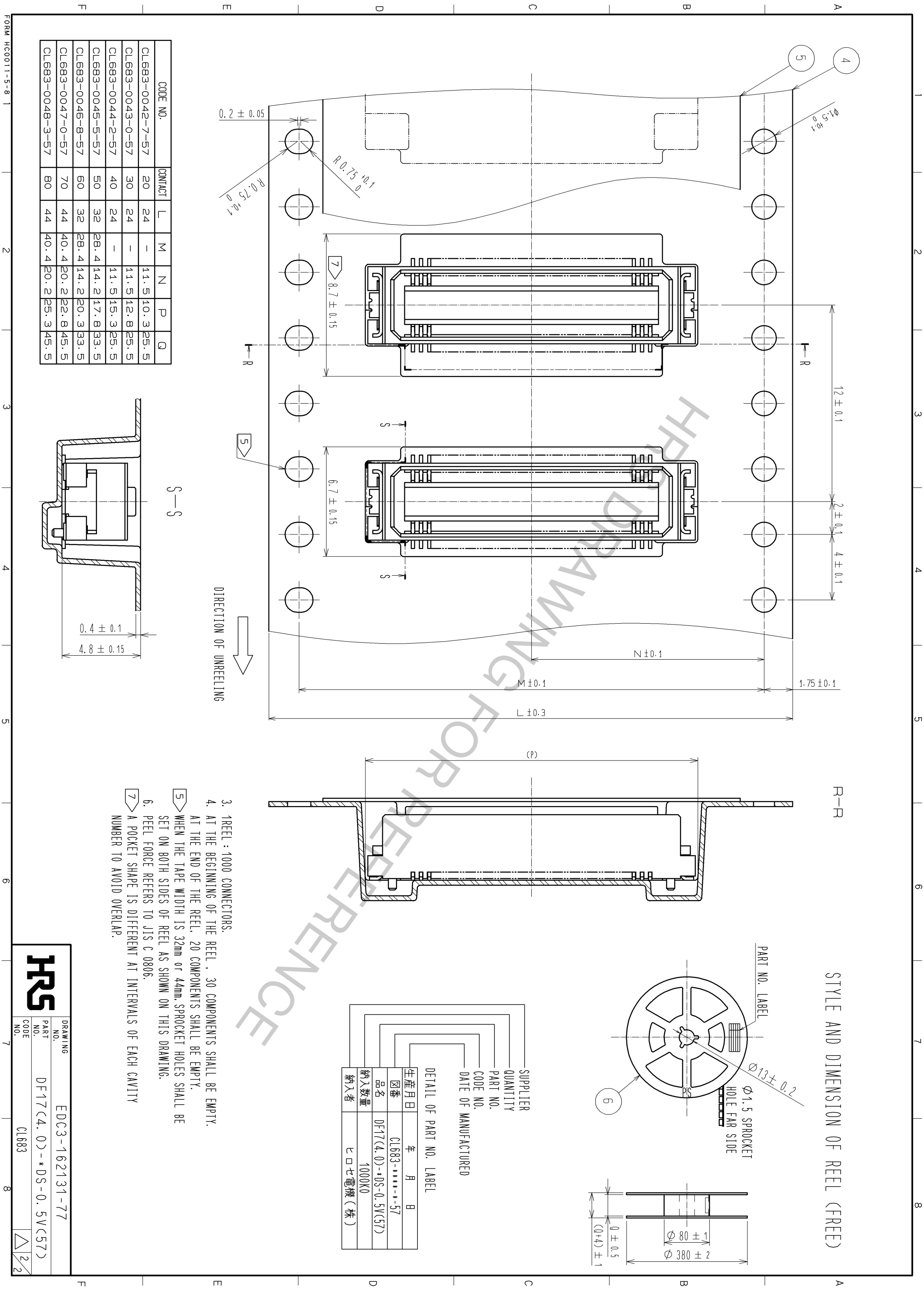
NOTES
 1 LEAD CO-PLANARITY INCLUDE REINFORCED METAL FITTINGS SHALL BE 0.1mm MAX.
 2 MATCH NOT LET THE CONTACTS TOUCH THE SECTION ESPECIALLY WHEN THE PADS OF AREA NOT RESIST FINISHED.

NO.	MATERIAL	FINISH	REMARKS	NO.	MATERIAL	FINISH	REMARKS
1	PHOSPHER BRONZE	TIN PLATED 1μm min	UNDER PLATING: NICKEL PLATED 1μm min	3	PHOSPHER BRONZE	TIN PLATED: 1μm min	UNDER PLATING: NICKEL PLATED 1μm min
2	POLYAMIDE (PA6T)	WHITE BEIGE, UL94V-0		4	PS	CLEAR (EMBOSSSED CARRIER TAPE)	
3	PHOSPHER BRONZE	TIN PLATED 1μm min	UNDER PLATING: NICKEL PLATED 1μm min	5	POLYESTER	CLEAR (COVER TAPE)	
4	PS	CLEAR (EMBOSSSED CARRIER TAPE)		6	BLACK(PLASTIC REEL)		

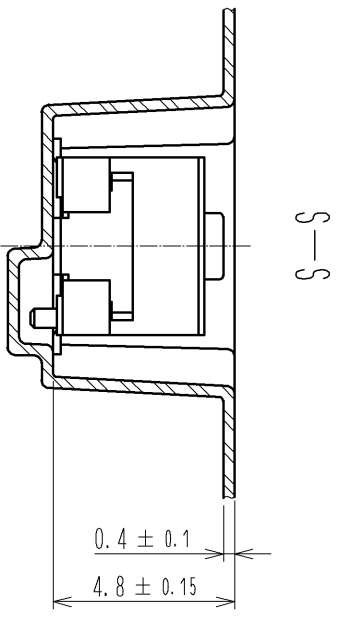
UNITS	SCALE	COUNT	DESCRIPTION OF REVISIONS	CHECKED	DATE
mm	5 : 1				

APPROVED	DESIGNED	CHECKED	DRAWN
KH. IKEDA	YH. MICHIDA	TS. MIYAZAKI	YH. MICHIDA
11.11.30	11.11.30	11.11.30	11.11.30

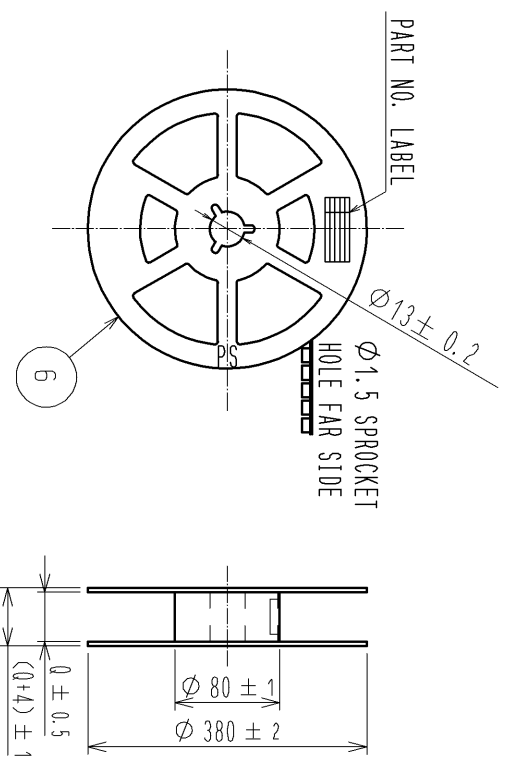
EDC3-162131-77	DF17(4.0)-*DS-0.5V(S7)	CL683
1	1	1



CODE NO.	CONTACT	L	M	N	P	Q
CL683-0042-7-57	20	24	-	11.5	10.3	25.5
CL683-0043-0-57	30	24	-	11.5	12.8	25.5
CL683-0044-2-57	40	24	-	11.5	15.3	25.5
CL683-0045-5-57	50	32	28.4	14.2	17.8	33.5
CL683-0046-8-57	60	32	28.4	14.2	20.3	33.5
CL683-0047-0-57	70	44	40.4	20.2	22.8	45.5
CL683-0048-3-57	80	44	40.4	20.2	25.3	45.5



- 1 REEL : 1000 CONNECTORS.
- 2 AT THE BEGINNING OF THE REEL , 30 COMPONENTS SHALL BE EMPTY.
- 3 AT THE END OF THE REEL, 20 COMPONENTS SHALL BE EMPTY.
- 4 WHEN THE TAPE WIDTH IS 32mm or 44mm, SPROCKET HOLES SHALL BE SET ON BOTH SIDES OF REEL AS SHOWN ON THIS DRAWING.
- 5 PEEL FORCE REFERS TO JIS C 0806.
- 6 A POCKET SHAPE IS DIFFERENT AT INTERVALS OF EACH CAVITY NUMBER TO AVOID OVERLAP.



DETAIL OF PART NO. LABEL

生産月日	年	月	日
図番	CL683-****-57		
品名	DF17(4.0)*DS-0.5V(57)		
納入数量	1000K0		
納入者	ヒロセ電機(株)		

SUPPLIER
QUANTITY
PART NO.
CODE NO.
DATE OF MANUFACTURED

HRS

DRAWING NO. EDC3-162131-77
PART NO. DF17(4.0)*DS-0.5V(57)
CODE NO. CL683

FORM HC0011-5-8