



Chipsmall Limited consists of a professional team with an average of over 10 year of expertise in the distribution of electronic components. Based in Hongkong, we have already established firm and mutual-benefit business relationships with customers from,Europe,America and south Asia,supplying obsolete and hard-to-find components to meet their specific needs.

With the principle of “Quality Parts,Customers Priority,Honest Operation,and Considerate Service”,our business mainly focus on the distribution of electronic components. Line cards we deal with include Microchip,ALPS,ROHM,Xilinx,Pulse,ON,Everlight and Freescale. Main products comprise IC,Modules,Potentiometer,IC Socket,Relay,Connector.Our parts cover such applications as commercial,industrial, and automotives areas.

We are looking forward to setting up business relationship with you and hope to provide you with the best service and solution. Let us make a better world for our industry!



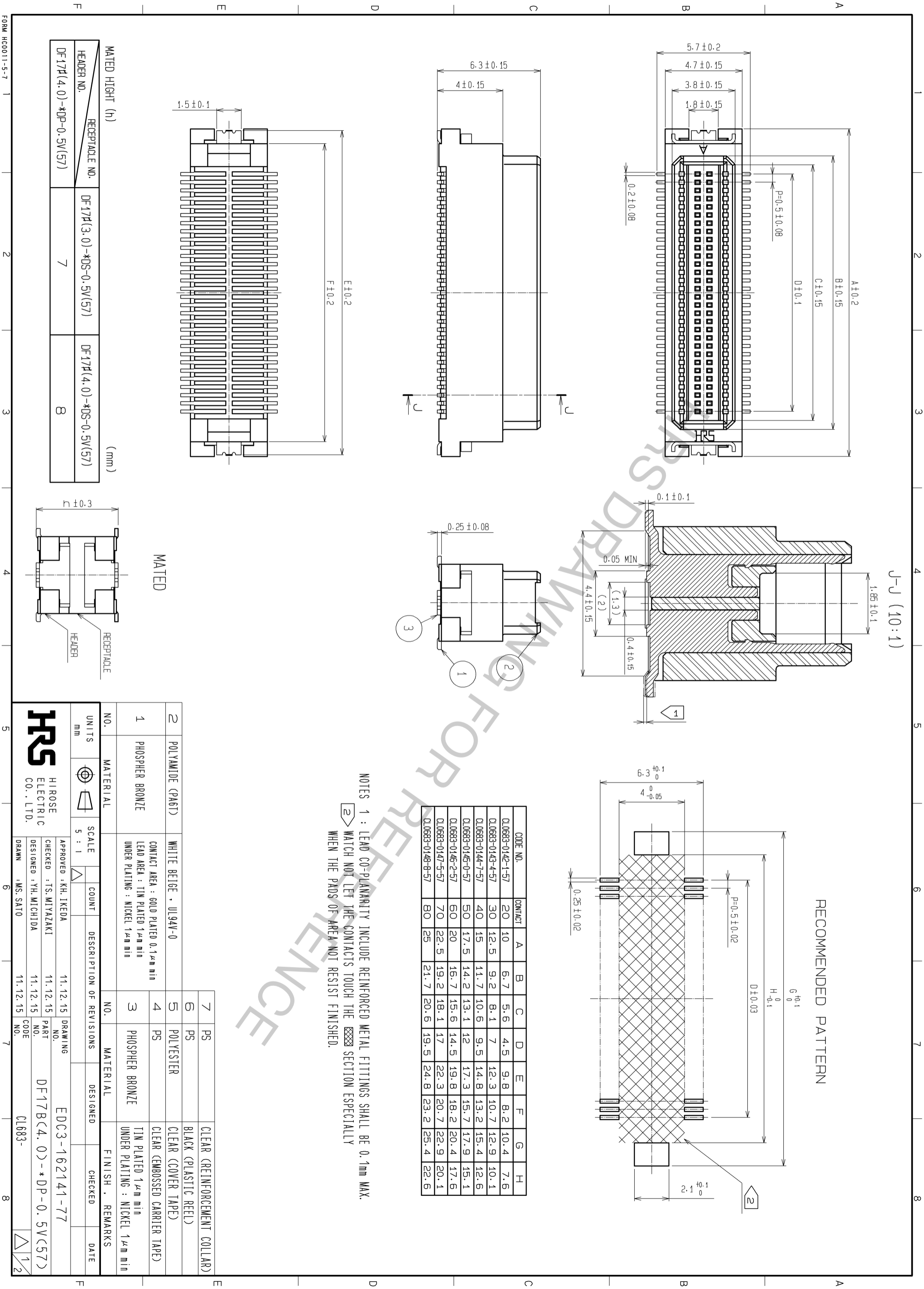
## Contact us

Tel: +86-755-8981 8866 Fax: +86-755-8427 6832

Email & Skype: info@chipsmall.com Web: www.chipsmall.com

Address: A1208, Overseas Decoration Building, #122 Zhenhua RD., Futian, Shenzhen, China





J-U (10:1)

RECOMMENDED PATTERN

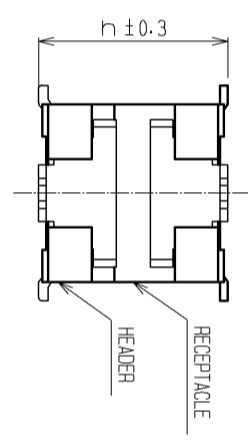
CODE NO.	CONTACT	A	B	C	D	E	F	G	H
QJ0683-0142-1-57	20	10	6.7	5.6	4.5	9.8	8.2	10.4	7.6
QJ0683-0143-4-57	30	12.5	9.2	8.1	7	12.3	10.7	12.9	10.1
QJ0683-0144-7-57	40	15	11.7	10.6	9.5	14.8	13.2	15.4	12.6
QJ0683-0145-0-57	50	17.5	14.2	13.1	12	17.3	15.7	17.9	15.1
QJ0683-0146-2-57	60	20	16.7	15.6	14.5	19.8	18.2	20.4	17.6
QJ0683-0147-5-57	70	22.5	19.2	18.1	17	22.3	20.7	22.9	20.1
QJ0683-0148-8-57	80	25	21.7	20.6	19.5	24.8	23.2	25.4	22.6

NOTES 1 : LEAD CO-PLANARITY INCLUDE REINFORCED METAL FITTINGS SHALL BE 0.1mm MAX.  
 2 WATCH NOT LET THE CONTACTS TOUCH THE SECTION ESPECIALLY WHEN THE PADS OF AREA NOT RESIST FINISHED.

HEADER NO.	RECEPTACLE NO.	DF17#(4.0)*DP-0.5V(57)	DF17#(3.0)*DS-0.5V(57)	DF17#(4.0)*DS-0.5V(57)
7	8			

MATED HIGHT (h) (mm)

MATED



NO.	MATERIAL	NO.	MATERIAL	FINISH	REMARKS
1	PHOSPHER BRONZE	3	PHOSPHER BRONZE		
2	POLYAMIDE (PART)	4	PS		CLEAR (REINFORCEMENT COLLAR)
	WHITE BEIGE • UL94V-0	5	POLYESTER		BLACK (PLASTIC REEL)
	CONTACT AREA : GOLD PLATED 0.1µm min				CLEAR (COVER TAPE)
	LEAD AREA : TIN PLATED 1µm min				CLEAR (EMBOSSED CARRIER TAPE)
	UNDER PLATING : NICKEL 1µm min				TIN PLATED 1µm min
					UNDER PLATING : NICKEL 1µm min

UNITS mm

SCALE	COUNT	DESCRIPTION OF REVISIONS	DESIGNED	CHECKED	DATE
5 : 1					

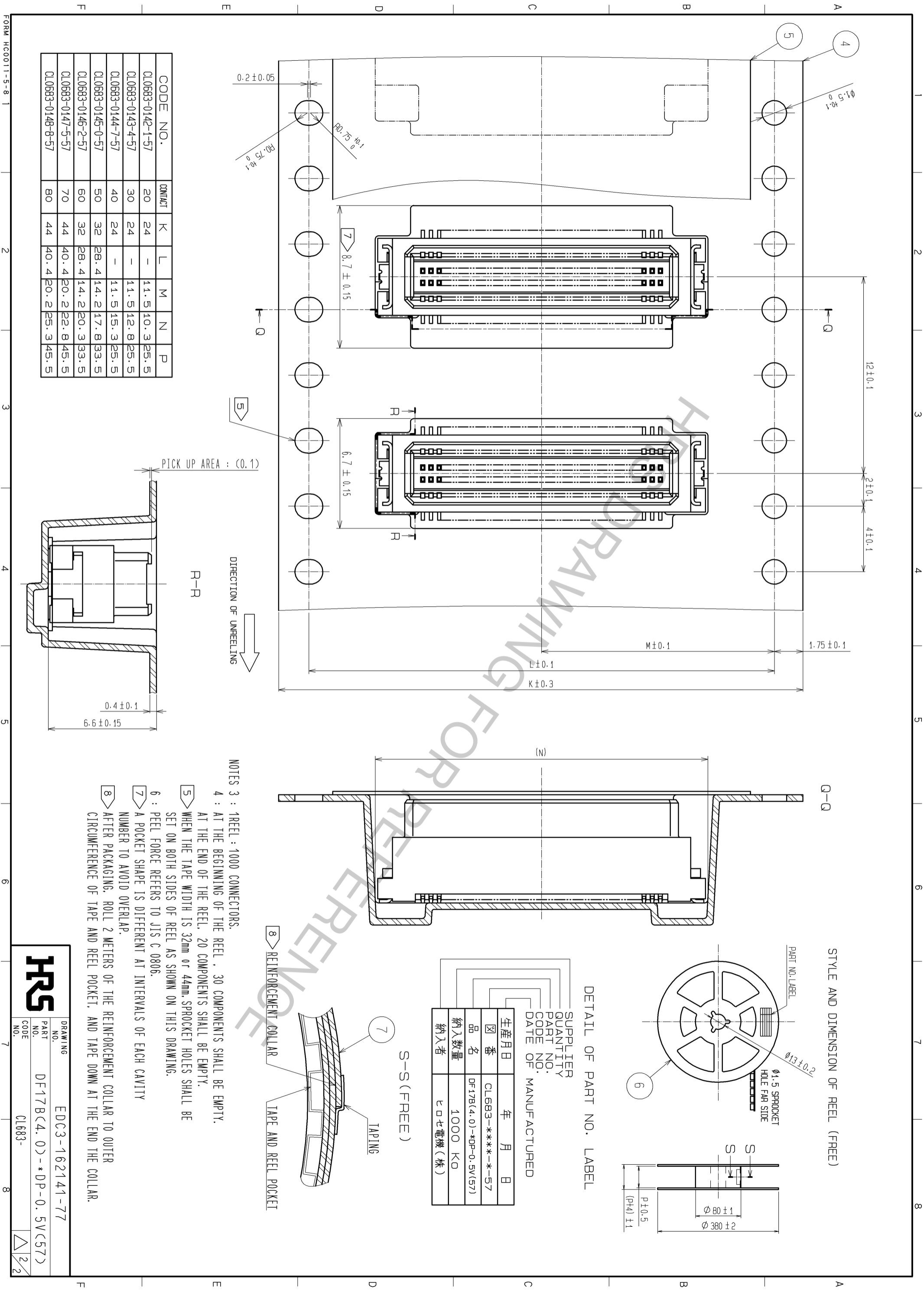
APPROVED : KH. IKEDA  
 CHECKED : TS. MIYAZAKI  
 DESIGNED : YH. MICHIDA  
 DRAWN : MS. SATO

11.12.15  
 11.12.15  
 11.12.15  
 11.12.15

EDC3-162141-77  
 DF17B(4.0)\*DP-0.5V(57)  
 C1683-

1/2

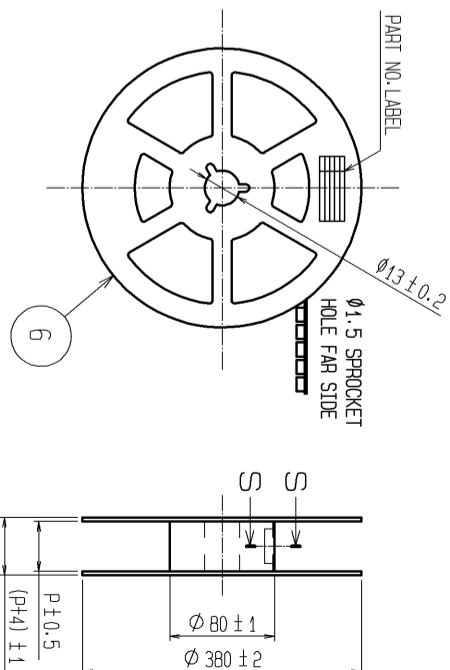
FORM HCO011-5-7



CODE NO.	CONTACT	K	L	M	N	P
CL0683-0142-1-57	20	24	-	11.5	10.3	25.5
CL0683-0143-4-57	30	24	-	11.5	12.8	25.5
CL0683-0144-7-57	40	24	-	11.5	15.3	25.5
CL0683-0145-0-57	50	32	28.4	14.2	17.8	33.5
CL0683-0146-2-57	60	32	28.4	14.2	20.3	33.5
CL0683-0147-5-57	70	44	40.4	20.2	22.8	45.5
CL0683-0148-8-57	80	44	40.4	20.2	25.3	45.5

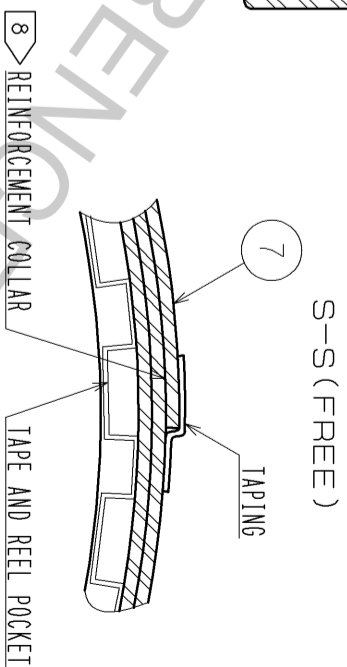
- NOTES 3 : REEL : 1000 CONNECTORS.  
 4 : AT THE BEGINNING OF THE REEL , 30 COMPONENTS SHALL BE EMPTY.  
 AT THE END OF THE REEL, 20 COMPONENTS SHALL BE EMPTY.  
 5 WHEN THE TAPE WIDTH IS 32mm or 44mm, SPROCKET HOLES SHALL BE SET ON BOTH SIDES OF REEL AS SHOWN ON THIS DRAWING.  
 6 : PEEL FORCE REFERS TO JIS C 0806.  
 7 A POCKET SHAPE IS DIFFERENT AT INTERVALS OF EACH CAVITY NUMBER TO AVOID OVERLAP.  
 8 AFTER PACKAGING, ROLL 2 METERS OF THE REINFORCEMENT COLLAR TO OUTER CIRCUMFERENCE OF TAPE AND REEL POCKET, AND TAPE DOWN AT THE END THE COLLAR.

STYLE AND DIMENSION OF REEL (FREE)



SUPPLIER QUANTITY PART NO. CODE NO. DATE OF MANUFACTURED

生産月日	年 月 日
品番	CL683-****-*-57
品名	DF17B(4.0)-*DP-0.5V(57)
納入数量	1000 KO
納入者	ヒロセ電機(株)



**HRS**

DRAWING NO.	EDC3-162141-77
PART NO.	DF17B(4.0)-*DP-0.5V(57)
CODE NO.	CL683-