



Chipsmall Limited consists of a professional team with an average of over 10 year of expertise in the distribution of electronic components. Based in Hongkong, we have already established firm and mutual-benefit business relationships with customers from,Europe,America and south Asia,supplying obsolete and hard-to-find components to meet their specific needs.

With the principle of “Quality Parts,Customers Priority,Honest Operation,and Considerate Service”,our business mainly focus on the distribution of electronic components. Line cards we deal with include Microchip,ALPS,ROHM,Xilinx,Pulse,ON,Everlight and Freescale. Main products comprise IC,Modules,Potentiometer,IC Socket,Relay,Connector.Our parts cover such applications as commercial,industrial, and automotives areas.

We are looking forward to setting up business relationship with you and hope to provide you with the best service and solution. Let us make a better world for our industry!



## Contact us

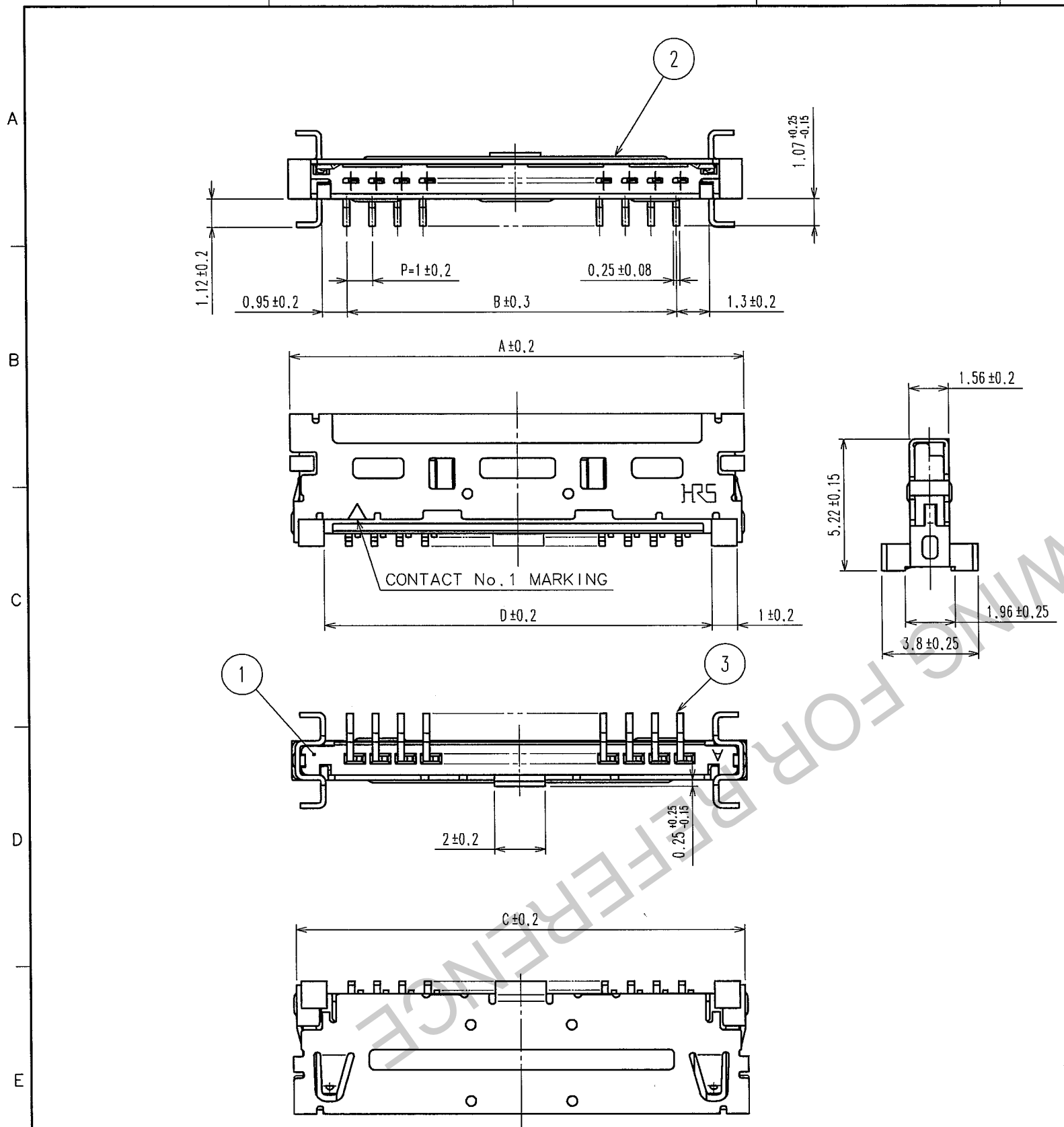
Tel: +86-755-8981 8866 Fax: +86-755-8427 6832

Email & Skype: info@chipsmall.com Web: www.chipsmall.com

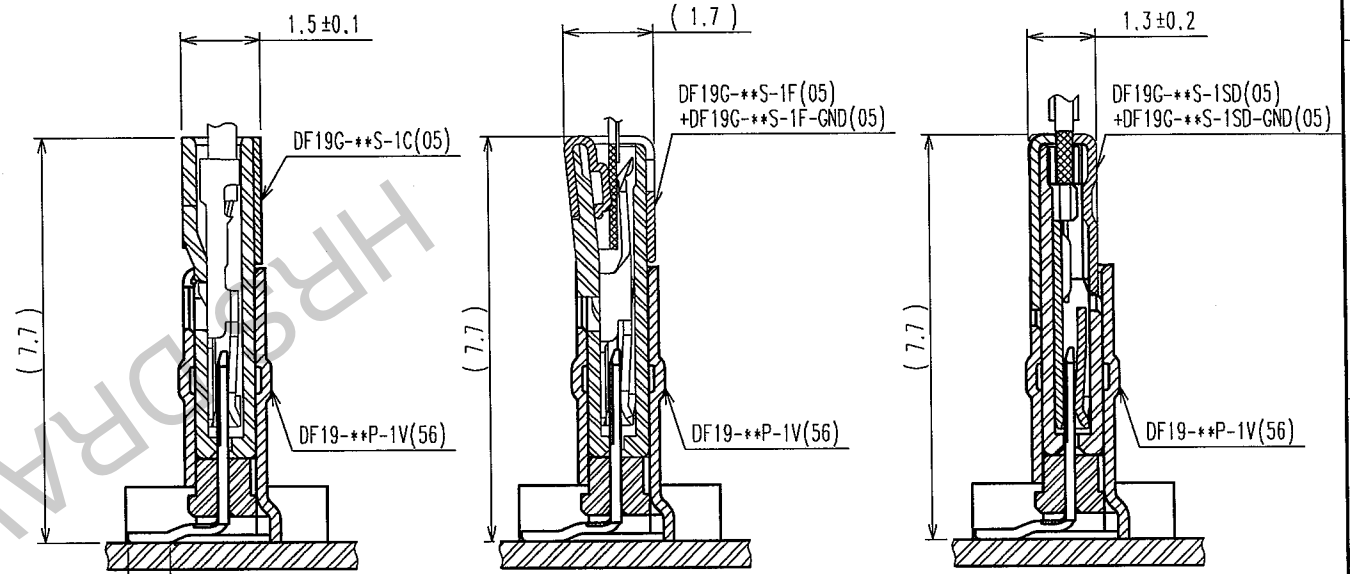
Address: A1208, Overseas Decoration Building, #122 Zhenhua RD., Futian, Shenzhen, China



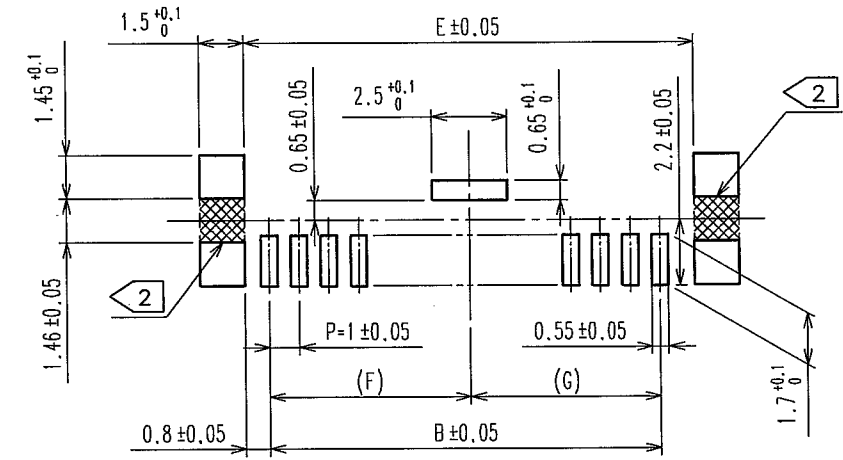
| COUNT | DESCRIPTION OF REVISIONS | BY | CHKD | DATE | COUNT | DESCRIPTION OF REVISIONS | BY | CHKD | DATE |
|-------|--------------------------|----|------|------|-------|--------------------------|----|------|------|
|       |                          |    |      |      |       |                          |    |      |      |
|       |                          |    |      |      |       |                          |    |      |      |
|       |                          |    |      |      |       |                          |    |      |      |



APPLICATION DIAGRAM(FREE)



RECOMMENDED PATTERN(FREE)



| PART No.        | CODE No.        | NUMBER OF CONTACT | A    | B  | C     | D     | E     | F     | G     |
|-----------------|-----------------|-------------------|------|----|-------|-------|-------|-------|-------|
| DF19-14P-1V(56) | CL685-0036-7-56 | 14                | 17.9 | 13 | 17.65 | 15.25 | 14.95 | 6.675 | 6.325 |
| DF19-20P-1V(56) | CL685-0037-0-56 | 20                | 23.9 | 19 | 23.65 | 21.25 | 20.95 | 9.675 | 9.325 |

|   |                 |  |
|---|-----------------|--|
| 6 | POLYAMIDE       | CAP  |
| 5 | POLYESTER       | COVER TAPE, CLEAR  |
| 4 | PS              | EMBOSSED CARRIER TAPE, CLEAR   |
| 2 | PHOSPHOR BRONZE | SURFACE:TIN-COPPER PLATED 1μm min<br>UNDER PLATING:NICKEL PLATED 0.5μm min                                       |
| 1 | POLYAMIDE       | NATURAL (BEIGE), UL94V-0   |
| 3 | PHOSPHOR BRONZE | CONTACT AREA:GOLD PLATED 0.1μm min<br>LEAD AREA:TIN-COPPER PLATED 1μm min<br>UNDER PLATING:NICKEL PLATED 1μm min |

| NO. | MATERIAL        | FINISH, REMARKS  | NO. | MATERIAL        | FINISH, REMARKS  |
|-----|-----------------|--|-----|-----------------|--|
| 6   | POLYAMIDE       | CAP  | 5   | POLYESTER       | COVER TAPE, CLEAR  |
| 5   | POLYESTER       | COVER TAPE, CLEAR  | 4   | PS              | EMBOSSED CARRIER TAPE, CLEAR   |
| 2   | PHOSPHOR BRONZE | SURFACE:TIN-COPPER PLATED 1μm min<br>UNDER PLATING:NICKEL PLATED 0.5μm min | 3   | PHOSPHOR BRONZE | CONTACT AREA:GOLD PLATED 0.1μm min<br>LEAD AREA:TIN-COPPER PLATED 1μm min<br>UNDER PLATING:NICKEL PLATED 1μm min |
| 1   | POLYAMIDE       | NATURAL (BEIGE), UL94V-0   |     |                 |  |

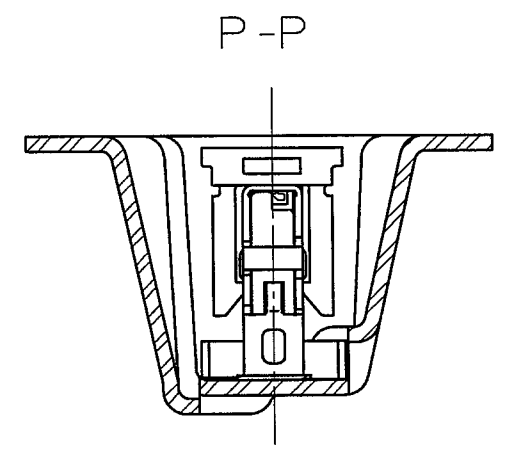
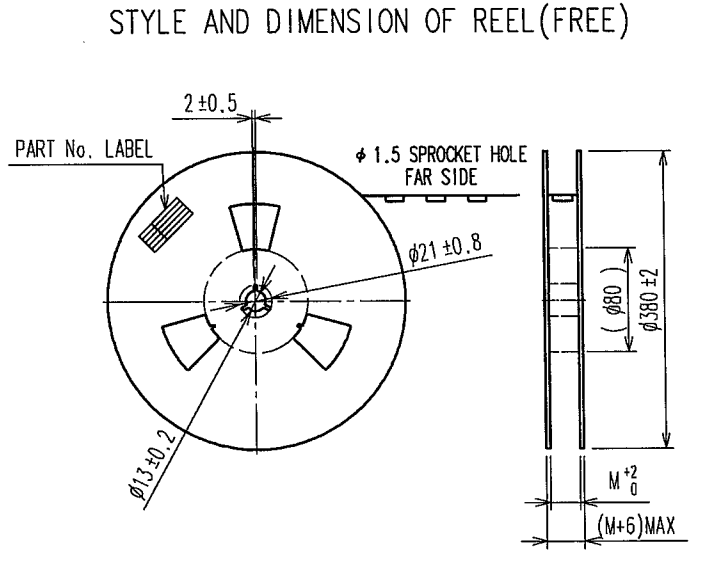
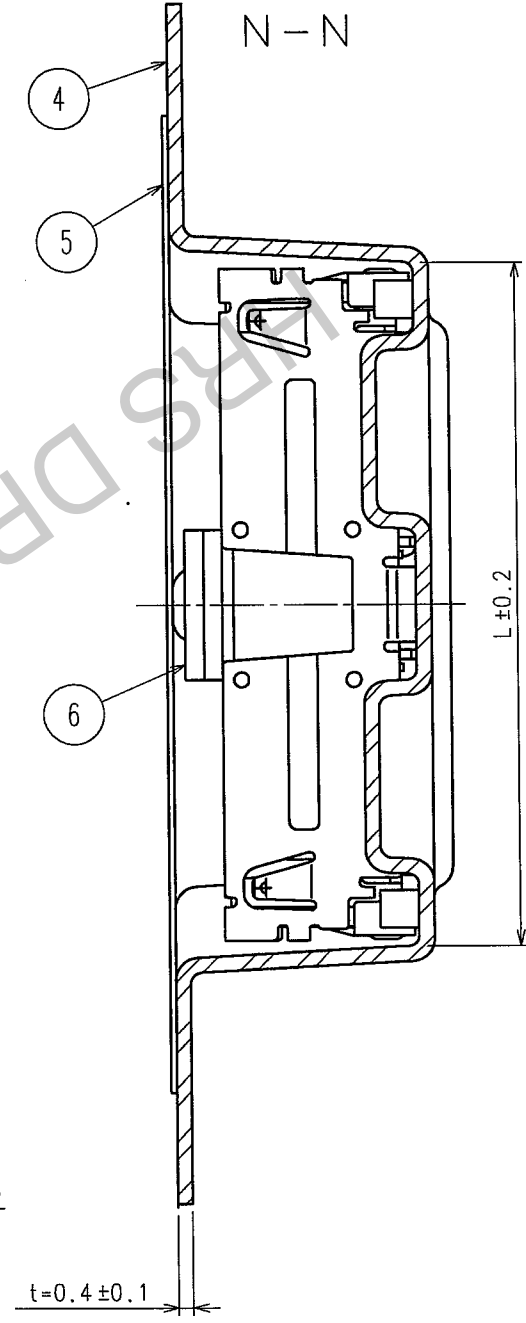
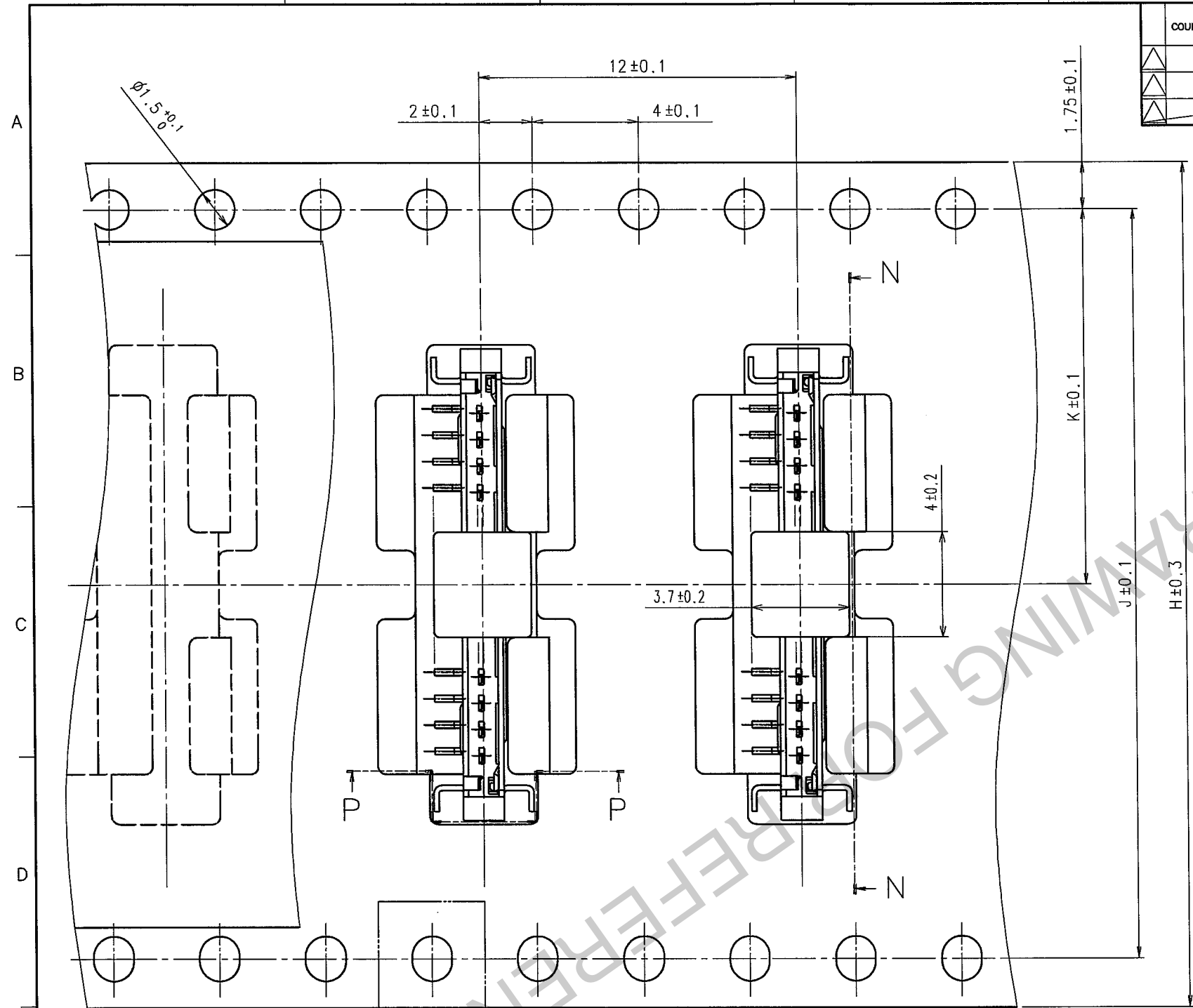
| CODE NO. (OLD) | DRAWN                  | DESIGNED              | CHECKED           | APPROVED          | RELEASED |
|----------------|------------------------|-----------------------|-------------------|-------------------|----------|
|                | F.Matsuki<br>'04.04.13 | H.Umehara<br>04.04.13 | T.Qna<br>04.04.15 | T.Qna<br>04.04.15 |          |

| SCALE | DRAWING NO.    | PART NO.       | CODE NO. |
|-------|----------------|----------------|----------|
| 5 : 1 | EDC3-302813-01 | DF19-*P-1V(56) | CL685    |
| UNITS | mm             |                |          |

NOTES 1 : LEAD CO-PLANARITY SHALL BE 0.1mm MAX.  
 2 : IF THERE IS PATTERN ON PART, THERE IS A POSSIBILITY THAT IT WILL MAKE CONTACT WITH THE METAL SHELL.

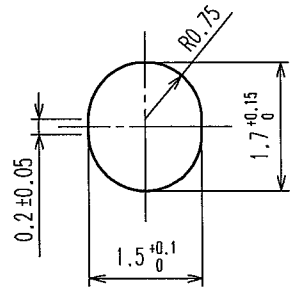
TO

| COUNT | DESCRIPTION OF REVISIONS | BY | CHKD | DATE | COUNT | DESCRIPTION OF REVISIONS | BY | CHKD | DATE |
|-------|--------------------------|----|------|------|-------|--------------------------|----|------|------|
|       |                          |    |      |      |       |                          |    |      |      |
|       |                          |    |      |      |       |                          |    |      |      |
|       |                          |    |      |      |       |                          |    |      |      |



→ DIRECTION OF UNREELING

Q (10:1)



SUPPLIER QUANTITY  
PART No.  
CODE No.  
DATE OF MANUFACTURED

5) DETAIL OF PART No. LABEL

|      |                 |
|------|-----------------|
| 生産月日 | 年 月 日           |
| 図番   | CL685-****-**** |
| 品名   | DF19-*P-1V(56)  |
| 納入数量 | 1000K $\phi$    |
| 納入者  | ヒロセ電機株式会社       |

NOTES 3 : 1 REEL 1000 CONNECTORS.  
4 : AT THE BEGINNING OF THE REEL, 30 COMPONENTS SHALL BE EMPTY.  
AT THE END OF THE REEL, 20 COMPONENTS SHALL BE EMPTY.  
5) : DETAIL OF PART No. LABEL IS WRITTEN IN JAPANESE.

| PART No.        | CODE No.        | NUMBER OF CONTACT | H  | J    | K    | L    | M    |
|-----------------|-----------------|-------------------|----|------|------|------|------|
| DF19-14P-1V(56) | CL685-0036-7-56 | 14                | 32 | 28.4 | 14.2 | 18.2 | 32.4 |
| DF19-20P-1H(56) | CL685-0037-0-56 | 20                | 44 | 40.4 | 20.2 | 24.2 | 44.4 |

|                |                          |           |          |          |          |
|----------------|--------------------------|-----------|----------|----------|----------|
| CODE NO. (OLD) | DRAWN                    | DESIGNED  | CHECKED  | APPROVED | RELEASED |
|                | F.Matsuki                | H.Umehara | T.Oma    | T.Oma    |          |
|                | '04.04.13                | 04.04.13  | 04.04.13 | 04.04.15 |          |
| DRAWING NO.    | PART NO.                 |           |          |          |          |
| EDC3-302813-01 | DF19-*P-1V(56)           |           |          |          |          |
| SCALE          | CODE NO.                 |           |          |          |          |
| FR:EE          | CL685                    |           |          |          |          |
| UNITS          | HIROSE ELECTRIC CO., LTD |           |          |          |          |
| mm             |                          |           |          |          |          |

TO