



Chipsmall Limited consists of a professional team with an average of over 10 year of expertise in the distribution of electronic components. Based in Hongkong, we have already established firm and mutual-benefit business relationships with customers from,Europe,America and south Asia,supplying obsolete and hard-to-find components to meet their specific needs.

With the principle of “Quality Parts,Customers Priority,Honest Operation,and Considerate Service”,our business mainly focus on the distribution of electronic components. Line cards we deal with include Microchip,ALPS,ROHM,Xilinx,Pulse,ON,Everlight and Freescale. Main products comprise IC,Modules,Potentiometer,IC Socket,Relay,Connector.Our parts cover such applications as commercial,industrial, and automotives areas.

We are looking forward to setting up business relationship with you and hope to provide you with the best service and solution. Let us make a better world for our industry!



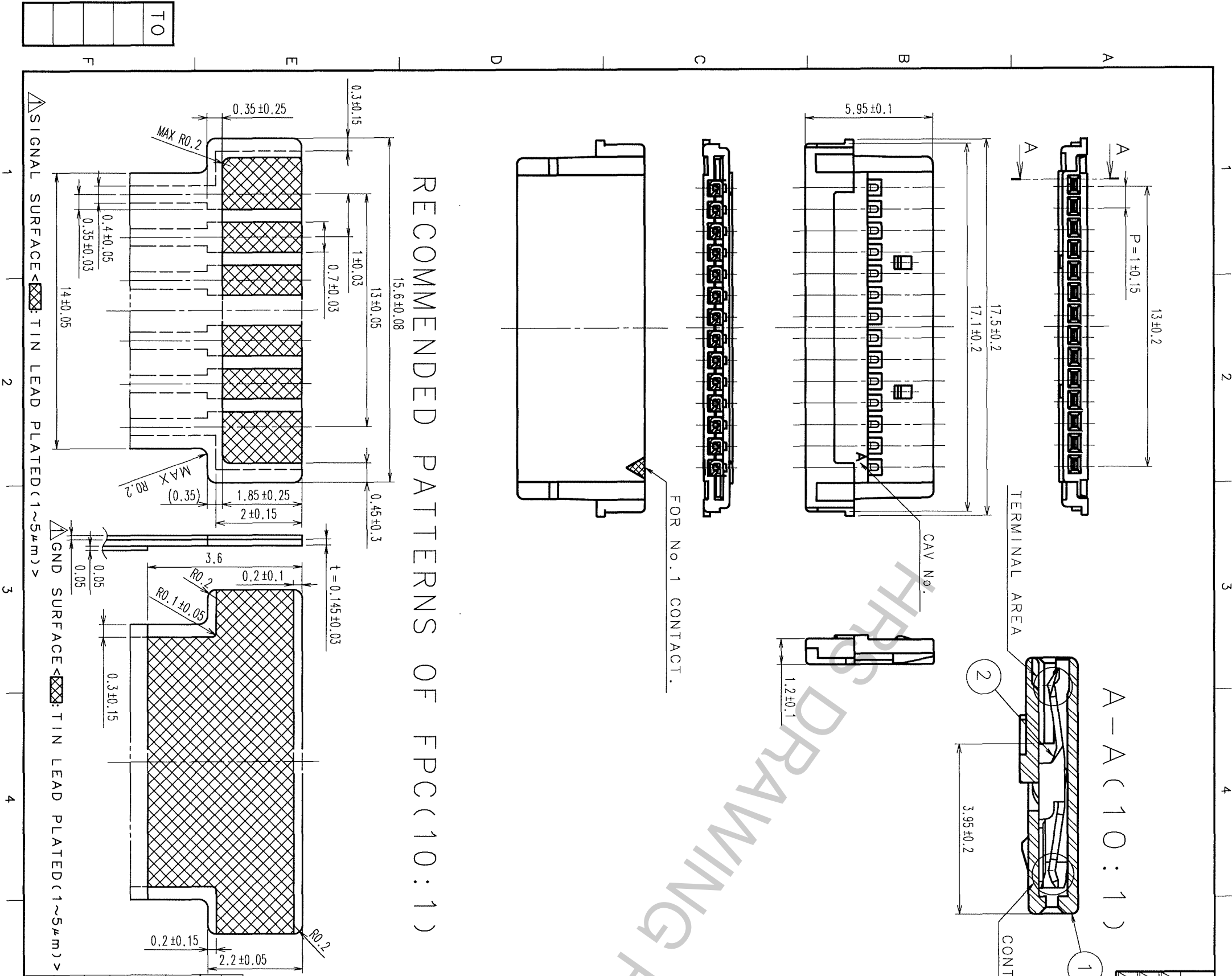
Contact us

Tel: +86-755-8981 8866 Fax: +86-755-8427 6832

Email & Skype: info@chipsmall.com Web: www.chipsmall.com

Address: A1208, Overseas Decoration Building, #122 Zhenhua RD., Futian, Shenzhen, China



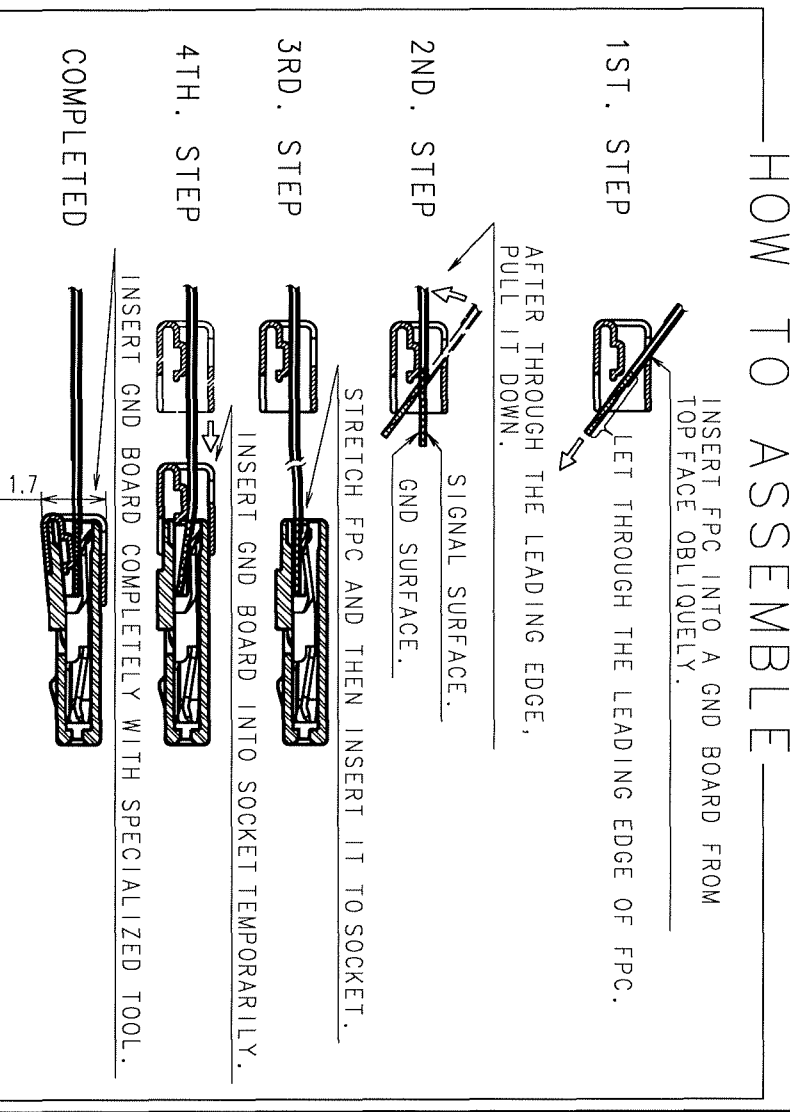


RECOMMENDED PATTERNS OF FPC (10:1)

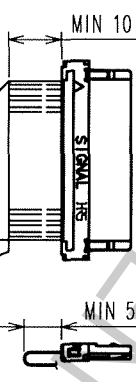
FOR No. 1 CONTACT.

A-A (10:1)

COUNT	DESCRIPTION OF REVISIONS	BY CHKD	DATE	COUNT	DESCRIPTION OF REVISIONS	BY CHKD	DATE
2	DIS-H-000773	HD	HU 06.02.09				



- NOTE 1: TRAY PACKAGING. (100 PCS)
- 2: GND BOARD AND SOCKET, EACH SHOULD BE TREATED AS A INDIVIDUAL PRODUCT, AND BE SUPPLIED INDIVIDUALLY. (GND BOARD: DF19G-14S-1F-GND(05)/CL685-0018-5-05) IF IT'S NEEDED TO CONNECT SIGNAL SURFACE AND GND, IT MUST BE DONE BY THROUGH HOLE ON FPC.
 - 3: USE SPECIALIZED TOOL TO ASSEMBLE FPC.
 - 4: INSERTION AND WITHDRAWAL OF CONNECTOR SHALL BE MADE PERPENDICULAR TO MATING SURFACE.
 - 5: THIS PRODUCT IS NOT INTENDED TO HAVE ANY STRAIN ON THE CONDUCTORS IN SUCH INSTANCE AS CLOSE-OPEN MOTION OF NOTEBOOK COMPUTER.
 - 6: BEND RADIUS OF FPC SHALL BE AS SPECIFIED BY THE FPC MANUFACTURER.
 - 7: BENDING POSITION TO BE AS SHOWN BELOW.



NO.	MATERIAL	FINISH, REMARKS	NO.	MATERIAL	FINISH, REMARKS
1	POLYAMIDE	UL94V-0, NATURAL (BEIGE)	2	PHOSPHOR BRONZE	CONTACT AREA: GOLD PLATED 0.1µm min TERMINAL AREA: TIN PLATED 1µm min UNDER PLATED: NICKEL PLATED 0.5µm min

CODE NO. (OLD)	DRAWN	DESIGNED	CHECKED	APPROVED	RELEASED
	A. Miyazaki	I. Dempouya	H. Umehara	T. Oma	

SCALE	DRAWING NO.	PART NO.
5:1	EDC3-162745-02	DF19G-14S-1F(05)

UNITS	CODE NO.
mm	CL685-0017-2-05

TO