



Chipsmall Limited consists of a professional team with an average of over 10 year of expertise in the distribution of electronic components. Based in Hongkong, we have already established firm and mutual-benefit business relationships with customers from,Europe,America and south Asia,supplying obsolete and hard-to-find components to meet their specific needs.

With the principle of “Quality Parts,Customers Priority,Honest Operation,and Considerate Service”,our business mainly focus on the distribution of electronic components. Line cards we deal with include Microchip,ALPS,ROHM,Xilinx,Pulse,ON,Everlight and Freescale. Main products comprise IC,Modules,Potentiometer,IC Socket,Relay,Connector.Our parts cover such applications as commercial,industrial, and automotives areas.

We are looking forward to setting up business relationship with you and hope to provide you with the best service and solution. Let us make a better world for our industry!



Contact us

Tel: +86-755-8981 8866 Fax: +86-755-8427 6832

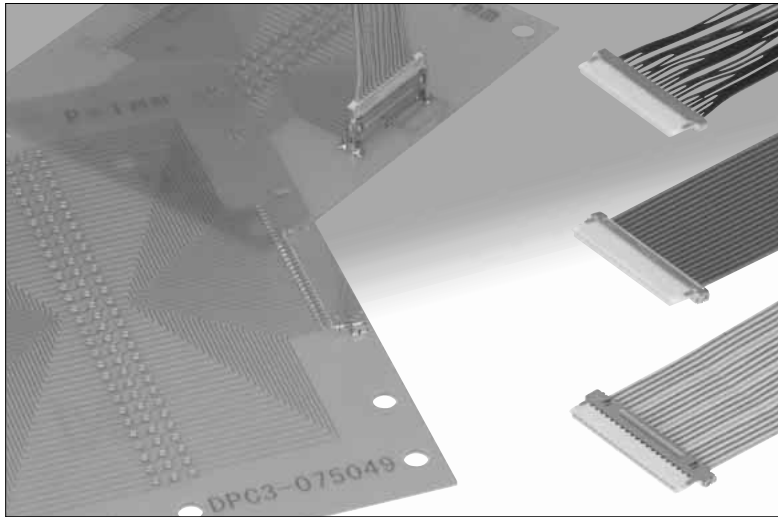
Email & Skype: info@chipsmall.com Web: www.chipsmall.com

Address: A1208, Overseas Decoration Building, #122 Zhenhua RD., Futian, Shenzhen, China

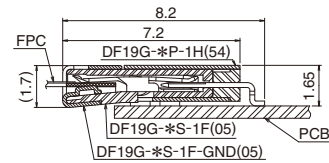
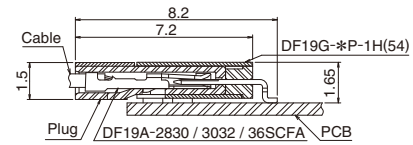


1mm Contact Pitch, Board-to-Cable, Board-to-FPC, Board-to-Micro-coaxial Cable Connectors

DF19 Series



Small configuration and board space



Horizontal mounting

Overview

Industry and market accepted as “De facto” standard for LCD panel connections (panels under 12 inches). High-performance connectors for LVDS high-speed differential signals.

Features

1. Small configuration and board space

Thin design accepts discrete wire, thin micro-coaxial cable ($\phi 1.5\text{mm}$, $\phi 1.6\text{mm}$ max.) and FPC 1.7mm maximum thick.

2. Common use of receptacle

The same receptacle will accept plugs terminated with discrete wire, FPC or micro-coaxial cable.

3. Uniform external dimensions

The plug assembly external dimensions remain the same when is terminated with discrete wire, FPC or micro-coaxial cable.

4. Variety of mounting styles

Device design engineers have a choice of mounting styles : top-board, offset, reverse mount offset and vertical.

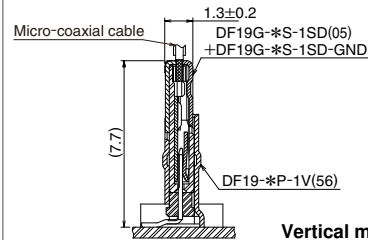
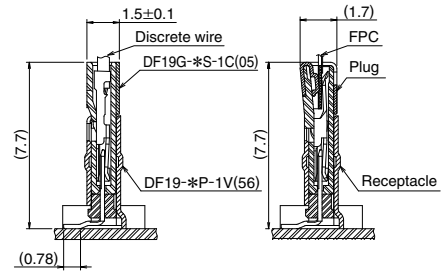
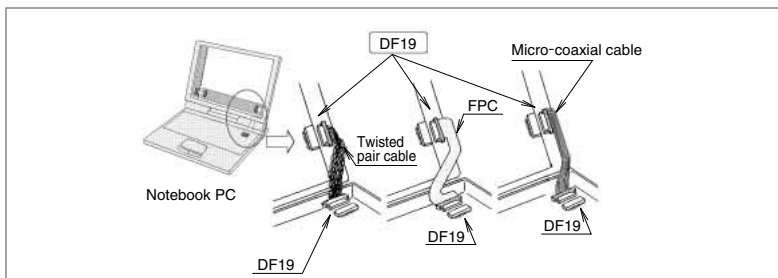
5. Ground connection

Metal grounding plates connect with the common ground line.

6. Glow wire compliance (Compliant with IEC60695-2-11)

Applications

LCD connections in small consumer devices : digital cameras, notebook computers, PDA's. Any device requiring high-density interconnection for consistent high speed transmission data rates.

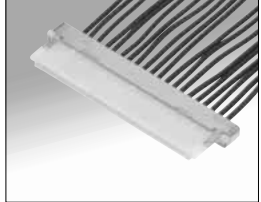


Vertical mounting

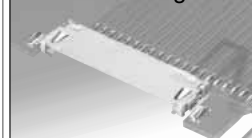
Top-board mounting



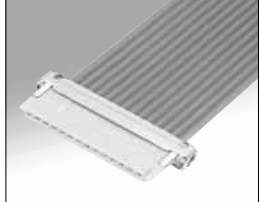
Discrete wire



Offset mounting



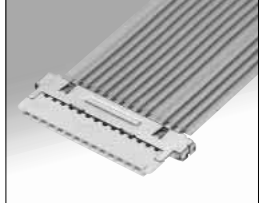
FPC



Reverse, offset mounting



Micro-coaxial cable



Vertical mounting



Product Specifications

Rating	Current rating	28 AWG : 1A 30 AWG : 0.9A 32 AWG : 0.8A 36 AWG : 0.5A FPC : 0.5A Micro-coaxial cable 40 AWG : 0.3A	Operating temperature range	-35°C to 85°C Note 1 Note 2	Storage temperature range	-10°C to 60°C Note 2
	Voltage rating	100V AC	Operating humidity range	20% to 80%	Storage humidity range	40% to 70%

Item	Specification	Conditions
1. Insulation resistance	500MΩ min.	100 V DC
2. Withstanding voltage	No flashover or insulation breakdown.	300 V AC / one minute
3. Contact resistance	30mΩ max. (50mΩ max. for FPC)	100 mA
4. Insertion-Extraction force (per contact)	Min. 0.2N, Max. 3N	Measured with a steel pin $\phi 0.2 \pm 0.005$
5. Vibration	No electrical discontinuity of 1μs or more.	Frequency : 10 to 55 Hz, single amplitude of 0.75mm, 2 hours in each of the 3 directions.
6. Humidity (Steady state)	Contact resistance : 30mΩ max. (50mΩ max. for FPC) Insulation resistance : 500MΩ min.	96 hours at temperature of 40±2°C and humidity of 90% to 95%
7. Temperature cycle	Contact resistance : 30mΩ max. (50mΩ max. for FPC) Insulation resistance : 500MΩ min.	Temperature : -55°C → +5°C to +35°C → +85°C → +5°C to +35°C Time (Minutes) : 30 → 10 → 30 → 10 5 cycles
8. Durability (insertion/ withdrawal)	Contact resistance : 30mΩ max. (50mΩ max. for FPC)	30 cycles
9. Resistance to soldering heat	No deformation of the insulator parts affecting performance.	Re-flow soldering : At the recommended temperature profile Manual soldering : Soldering iron temperature 300°C, 3 seconds

Note1 : Includes temperature rise caused by current flow.

Note2 : The term "storage" refers to connectors stored for long period of time prior to mounting and use. Operating Temperature Range and Humidity range covers non-conducting condition of installed connectors in storage, shipment or during transportation.

Materials / Finish

Product	Component	Material	Finish/Color	Remarks
Receptacle	Insulator	Polyamide	Black or Beige	UL94V-0
	Contacts	Phosphor bronze	Gold plated	——
	Grounding plate	Phosphor bronze	Tin plated or Tin-copper plated	——
Plug	Insulator	Polyamide	Beige	——
	Tin-lead plated	Stainless steel	Tin-copper plated	——
Crimp contact	Contact	Phosphor bronze	Gold Plated	——
Plug for PPC	Insulator	Polyamide	Beige	UL94V-0
	Contact	Phosphor bronze	Gold plated	——
Grounding plate for PPC	Grounding plate	Stainless steel	Tin-copper plated	——
Plug for micro-coaxial cable	Insulator	LCP	Beige	UL94V-0
	Contact	Phosphor bronze	Gold plated	——
	Grounding plate	Phosphor bronze	Tin plated	——
Grounding plate for micro-coaxial cable	Grounding plate	Phosphor bronze	Tin plated	——

Product Number Structure

Refer to the chart below when determining the product specifications from the product number.
Please select from the product numbers listed in this catalog when placing orders.

● Connector

DF19	#	-	*	P	-	1	H
①	②		③	④		⑤	⑥

DF19	#	-	*	S	-	1	F	-	GND
①	②		③	④		⑤	⑥		⑦

<p>① Series Name : DF19</p> <p>② Configuration</p> <p> ■ Receptacle</p> <p> G : Top-board mounting (1.65mm high)</p> <p> K : Offset mounting (1.0mm high)</p> <p> L : Offset mounting (1.1mm high)</p> <p> KR: Reverse offset mounting version of DF19K (1.0mm high)</p> <p> ■ Plug for discrete wire</p> <p> Blank : No grounding plate</p> <p> G : With grounding plate</p> <p> ■ Plug for FPC</p> <p> G : With grounding plate</p> <p> ■ Grounding plate for FPC</p> <p> G : With grounding plate</p> <p> ■ Plug for micro-coaxial cable</p> <p> G : With grounding plate</p> <p> ■ Grounding plate for micro-coaxial cable</p> <p> G : With grounding plate</p>	<p>③ Number of contacts : 8,14,20,30 (Note 1)</p> <p>④ Connector type</p> <p> S : Plug</p> <p> P : Receptacle</p> <p>⑤ Contact pitch : 1mm</p> <p>⑥ Mounting type/Termination type</p> <p> H : Horizontal SMT</p> <p> V : Vertical SMT</p> <p> C : Plug – discrete wire (crimp contact)</p> <p> F : Plug – FPC</p> <p> SD : Plug – micro-coaxial cable</p> <p>⑦ Additional separate component</p> <p> GND : Ground plate (Note 2)</p>
---	---

Note 1 : Number of contacts will differ depending on the connector style.

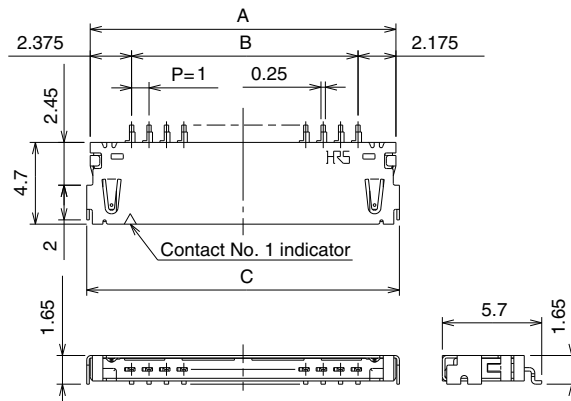
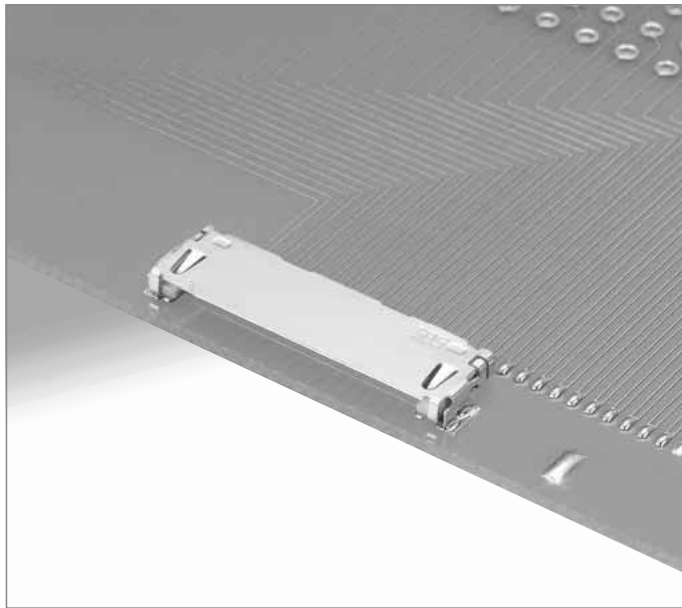
Note 2 : Grounding plates are required when terminating with the FPC and micro-coaxial cable.

● Contact

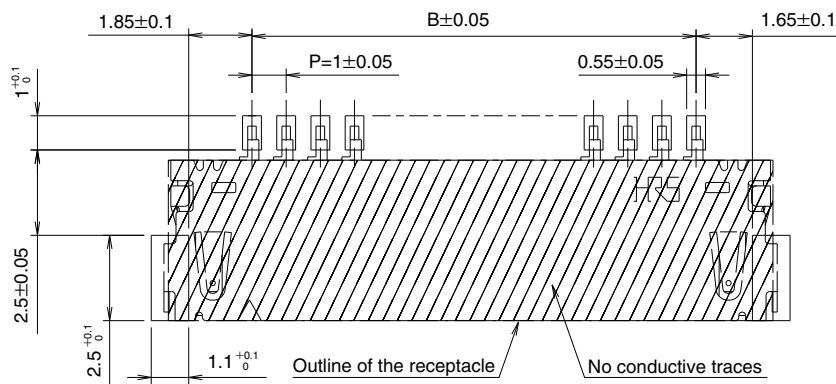
DF19A	-	2830	SCF	A	(**)
①		②	③		④

<p>① Conductor size</p> <p> 2830 : 28 to 30 AWG</p> <p> 3032 : 30 to 32 AWG</p> <p> 36 : 36 AWG</p>	<p>③ Plating</p> <p> A : Gold</p>
<p>② Contact type</p> <p> SCF : Plug contact, tape and reel packaging</p>	<p>④ Packaging</p> <p> Blank : 10,000 pcs/reel</p> <p> (41) : 20,000 pcs/reel</p>

■ Right angle receptacle, top-board mounting



◆ PCB mounting pattern



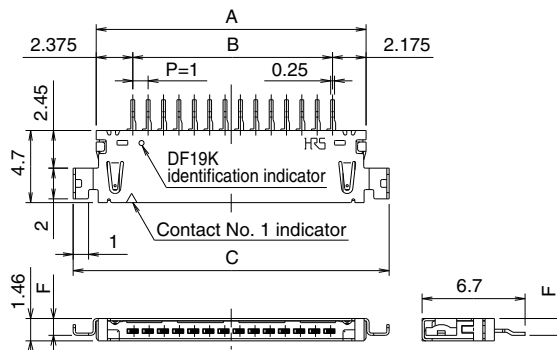
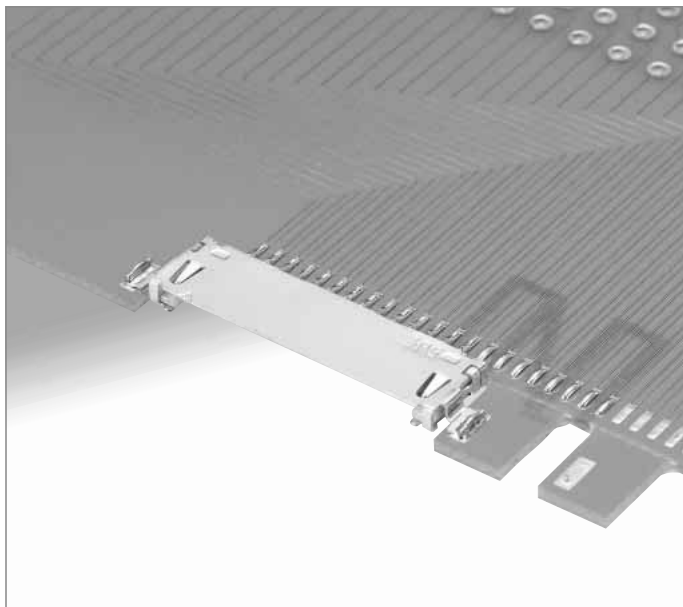
Specification
(54) : Tape & reel packaging
(1,000 pcs/reel)

Unit : mm

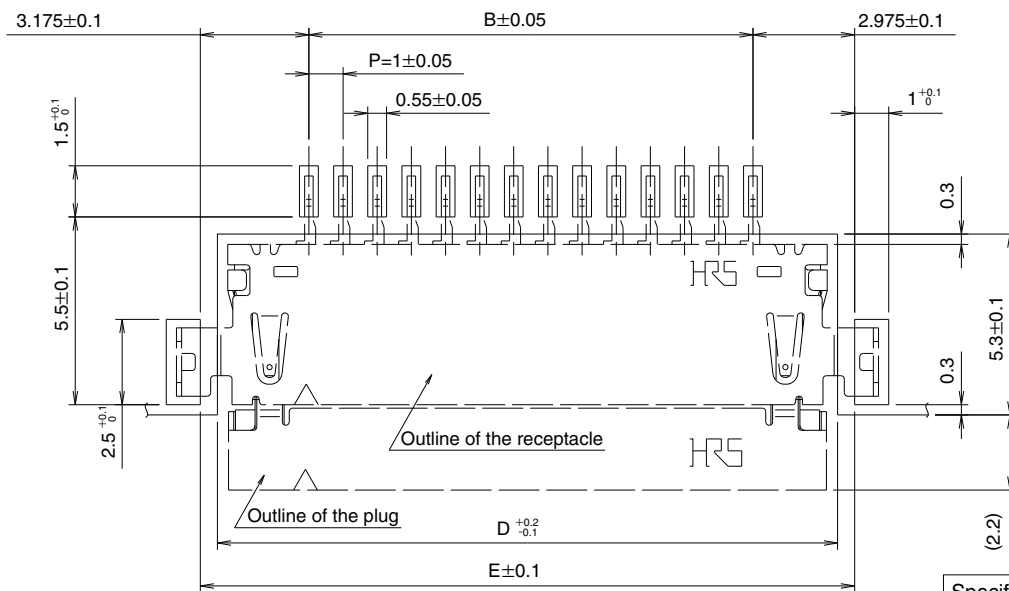
Part No.	HRS No.	No. of contacts	A	B	C	Remarks	RoHS
DF19G- 8P-1H (54)	685-0021-0 54	8	11.55	7	11.95	1.65mm high	YES
DF19G-14P-1H (54)	685-0004-0 54	14	17.55	13	17.95		
DF19G-20P-1H (54)	685-0006-6 54	20	23.55	19	23.95		
DF19G-30P-1H (54)	685-0015-7 54	30	33.55	29	33.95		

Note : Order by number of reels.

Right angle receptacle, offset mounting



PCB mounting pattern



Specification
(54) : Tape & reel packaging
(1,000 pcs/reel)

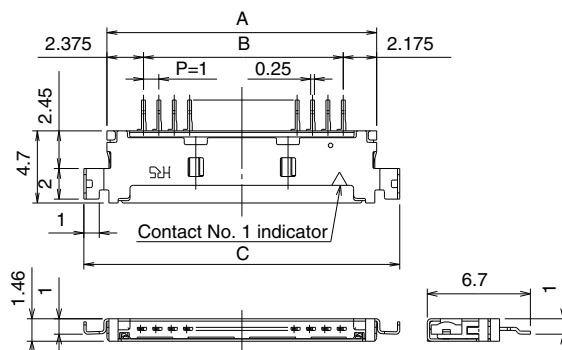
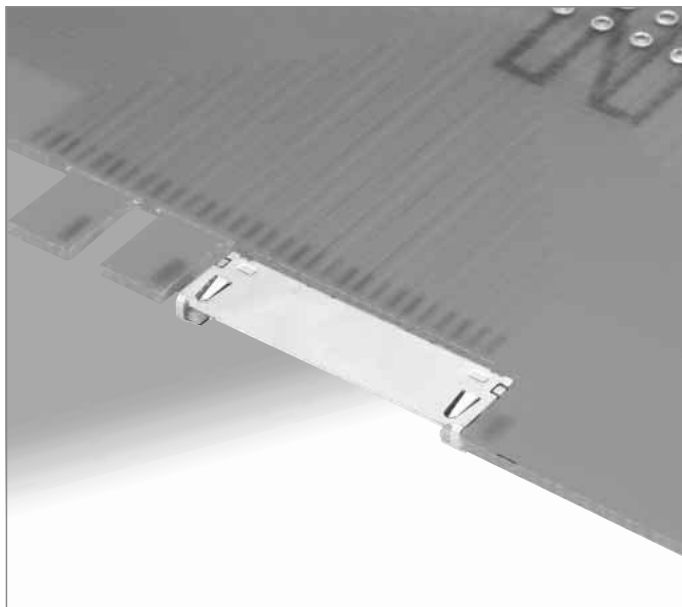
Unit : mm

Part No.	HRS No.	No. of contacts	A	B	C	D	E	F	Remarks	RoHS
DF19K-20P-1H (54)	685-0008-1 54	20	23.55	19	26.55	24.15	25.15	0.1	1.0mm high	YES
DF19K-30P-1H (54)	685-0032-6 54	30	33.55	29	36.55	34.15	35.15	0.1		

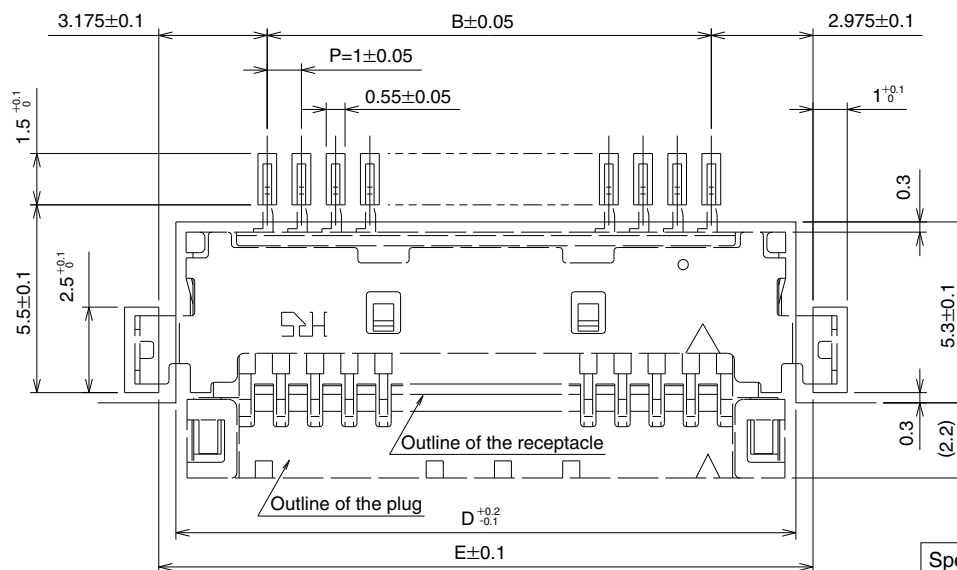
Part No.	HRS No.	No. of contacts	A	B	C	D	E	F	Remarks	RoHS
DF19L-14P-1H (54)	685-0003-8 54	14	17.55	13	20.55	18.15	19.15	1.1	1.1mm high	YES
DF19L-20P-1H (54)	685-0019-8 54	20	23.55	19	26.55	24.15	25.15	1.1		
DF19L-30P-1H (54)	685-0016-0 54	30	33.55	29	36.55	34.15	35.15	1.1		

Note : Order by number of reels.

Right angle receptacle, reverse offset mounting



PCB mounting pattern



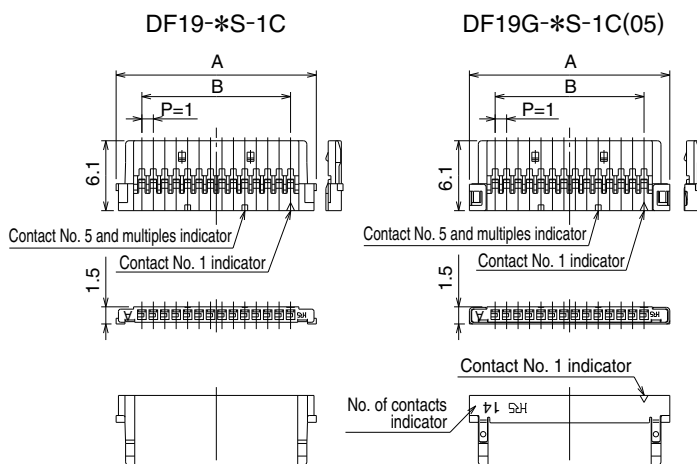
Specification
(54) : Tape & reel packaging
(1,000 pcs/reel)

Unit : mm

Part No.	HRS No.	No. of contacts	A	B	C	D	E	Remarks	RoHS
DF19KR-14P-1H (54)	685-0024-8 54	14	17.55	13	20.55	18.15	19.15	1.0mm high	YES
DF19KR-20P-1H (54)	685-0023-5 54	20	23.55	19	26.55	24.15	25.15		

Note : Order by number of reels.

■Plug (Discrete wire)



Specification
Blank, (05) : Bag packaging
(100 pcs/pack)

Unit : mm

Part No.	HRS No.	No. of contacts	A	B	RoHS
DF19 - 8S-1C	685-0029-1	8	11.5	7	YES
DF19 -14S-1C	685-0012-9	14	17.5	13	
DF19 -20S-1C	685-0011-6	20	23.5	19	
DF19 -30S-1C	685-0013-1	30	33.5	29	

Part No.	HRS No.	No. of contacts	A	B	RoHS
DF19G - 8S-1C(05)	685-0022-2 05	8	11.5	7	YES
DF19G -14S-1C(05)	685-0005-3 05	14	17.5	13	
DF19G -20S-1C(05)	685-0007-9 05	20	23.5	19	
DF19G -30S-1C(05)	685-0014-4 05	30	33.5	29	

Note: Order by number of bags.

■Crimp contacts

Part No.	HRS No.	Packaging	Quantity	Finish	RoHS
DF19A-2830SCFA (**)	685-0048-6 **	Tape & reel	See Specifications number below	Gold plated	YES
DF19A-3032SCFA (**)	685-0046-0 **				
DF19A- 36SCFA (**)	685-0047-3 **				

Specification number *(***)
Blank : Tape & reel packaging (10,000 pcs/reel)
(41) : Tape & reel packaging (20,000 pcs/reel)

●Applicable cable (Tin plated annealed conductor)

Wire size (stranded wire conductor)	Jacket diameter
28 AWG (7/ 0.127mm)	0.5mm to 0.6mm
30 AWG (7/ 0.1mm)	
32 AWG (7/ 0.08mm)	
36 AWG (7/ 0.05mm)	0.27mm

●Applicable UL style UL1571(thin type) (Note2)

●Strip length 1.2mm to 1.9mm

Note 1 : When using other than the recommended wire, contact your Hirose sales representative.

Note 2 : Contact your Hirose sales representative when using 36 AWG.

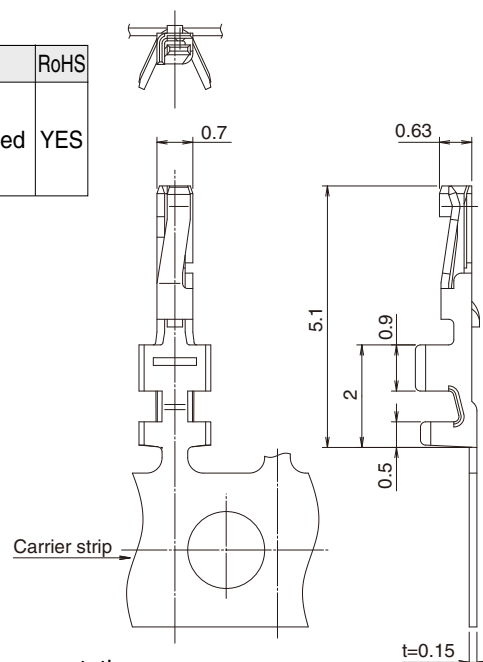
●Tools

Part	Part No.	HRS No.
Applicator	AP105-DF19S	901-4571-3
Press unit	CM-105C	901-0001-0

Note 1 : Use of other than Hirose Electric approved tools will void the product warranties.

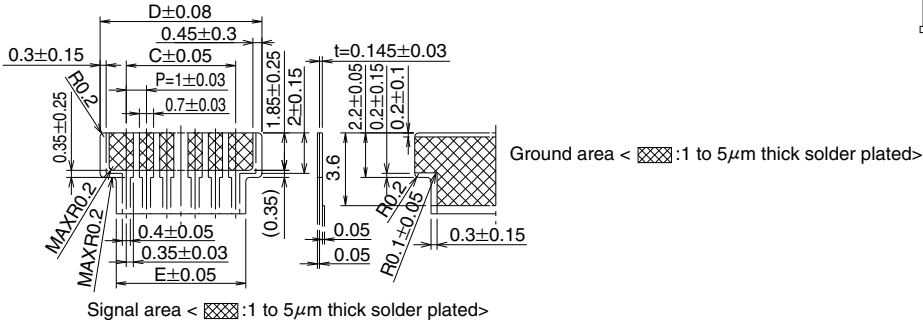
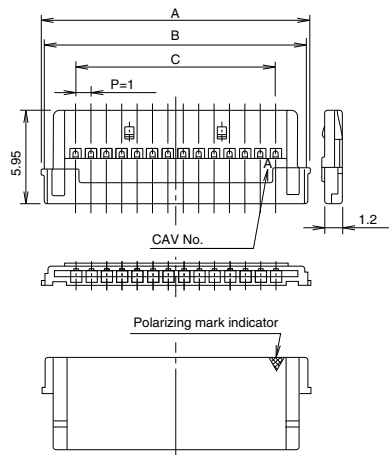
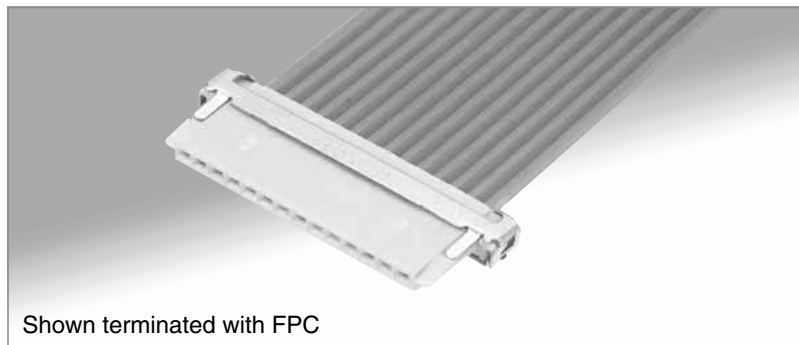
Note 2 : Contact Hirose for the wire stripping, contact crimp and contact insertion instructions.

Note 3 : Please do the crimping operations according to the "Crimping quality standard" and "Crimping condition table".



■ Plug (Flat Printed Circuit)

Note: Socket and grounding plate is required.



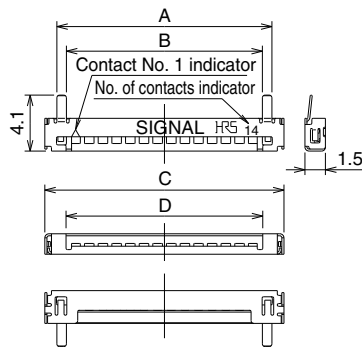
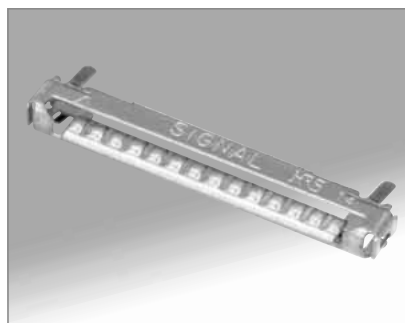
Unit : mm

Part No.	HRS No.	No. of contacts	A	B	C	D	E	RoHS
DF19G-14S-1F(05)	685-0017-2 05	14	17.5	17.1	13	15.6	14	YES
DF19G-20S-1F(05)	685-0009-4 05	20	23.5	23.1	19	21.6	20	
DF19G-30S-1F(05)	685-0033-9 05	30	33.5	33.1	29	31.6	30	

Specification
(05) : Bag packaging
(100 pcs/pack)

Note : Order by number of bags.

■ Ground plate for FPC



Unit : mm

Part No.	HRS No.	No. of contacts	A	B	C	D	RoHS
DF19G-14S-1F-GND(05)	685-0018-5 05	14	15.75	14.35	17.5	14.4	YES
DF19G-20S-1F-GND(05)	685-0010-3 05	20	21.75	20.35	23.5	20.4	
DF19G-30S-1F-GND(05)	685-0034-1 05	30	31.75	30.35	33.5	30.4	

Specification
(05) : Bag packaging
(100 pcs/pack)

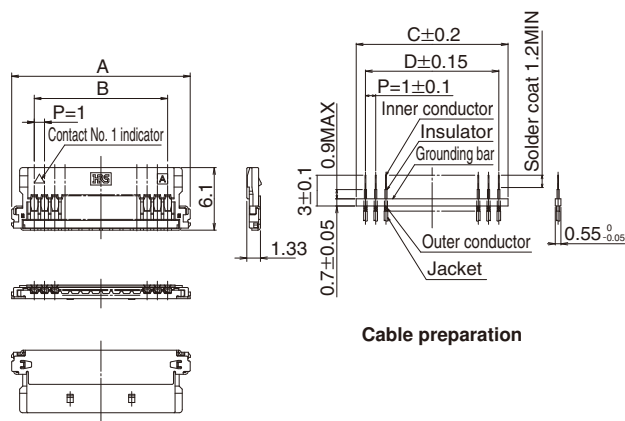
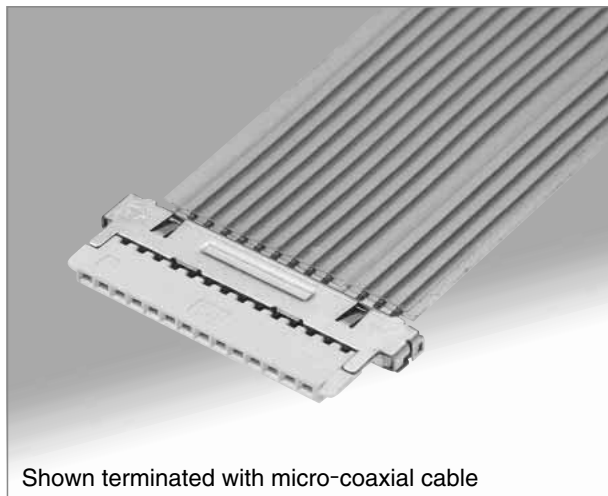
Note : Order by number of bags.

● Grounding plate installation tools

Type	Part No.	HRS No.
Desktop tool (for 14 pos.)	DF19G-14S/PR-MD2	902-4514-6
Desktop tool (for 20 pos.)	DF19G-20S/PR-MD2	902-4513-3
Desktop tool (for 30 pos.)	DF19G-30S/PR-MD2	902-4518-7

Note1 : Product is not guaranteed unless Hirose approved tools are used.

■Plug (Micro-coaxial cable)



Note 1 : Connectors are designed to allow termination without cutting of the pitch loss prevention tape.

Note 2 : Required Solder coating for inner conductor.

Note 3 : When using 2-conductor micro-coaxial cable some contact positions will not be used.

Contact your Hirose sales representative.

Part No.	HRS No.	No. of contacts	A	B	C	D	RoHS
DF19G-14S-1SD(05)	685-0026-3 05	14	17.4	13	14.8	13	YES
DF19G-20S-1SD(05)	685-0025-0 05	20	23.4	19	20.8	19	

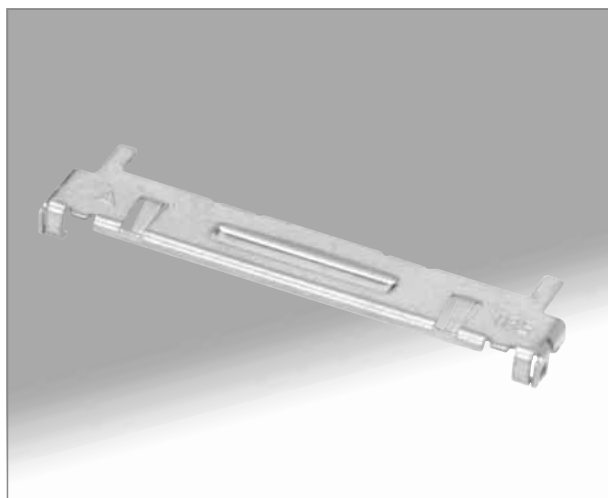
Specification
(05) : Bag packaging
(100 pcs/pack)

Note : Order by number of bags.

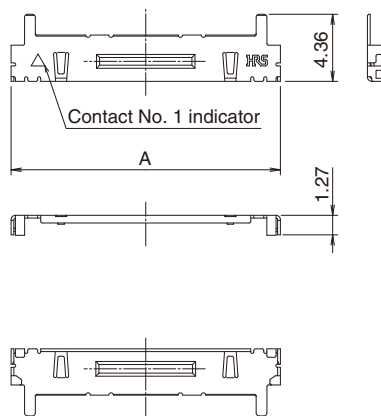
●Applicable cable (Micro-coaxial cable)

Wire size (stranded wire center conductor)	Jacket diameter
40 AWG (7/ 0.03mm)	0.3mm to 0.4mm

■Grounding plate for micro-coaxial cable



Specification
Blank : Bag packaging
(100 pcs/pack)

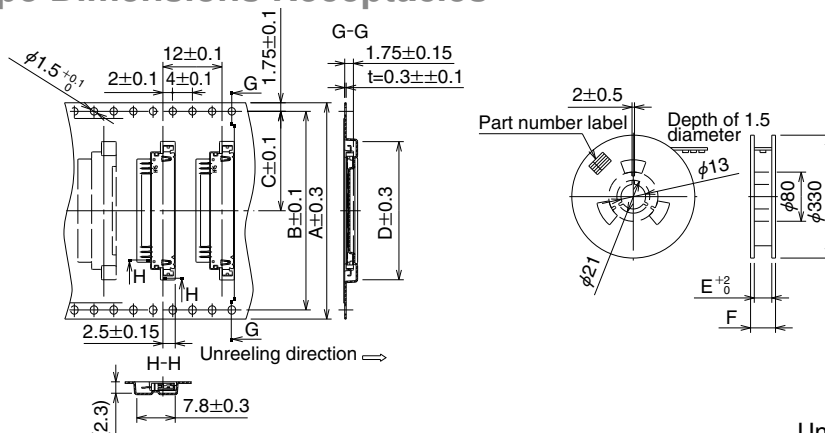


Unit : mm

Part No.	HRS No.	No. of contacts	A	RoHS
DF19G-14S-1SD-GND	685-0028-9	14	17.5	YES
DF19G-20S-1SD-GND	685-0027-6	20	23.5	

◆ Embossed Carrier Tape Dimensions Receptacles

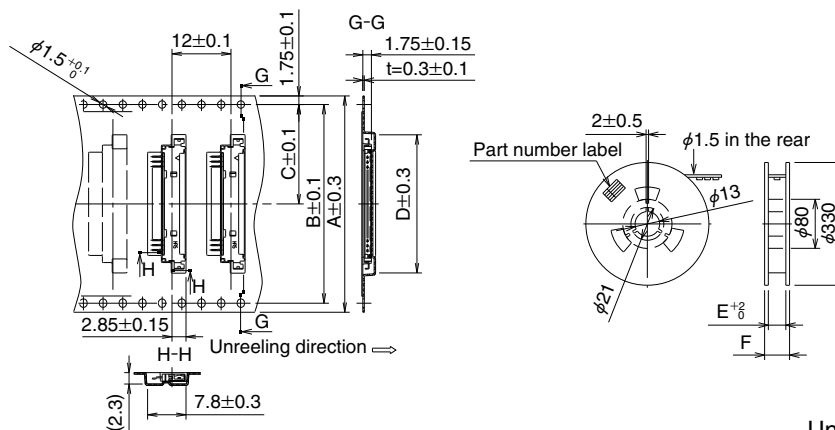
- DF19G- *P-1H(54)
- DF19K- *P-1H(54)
- DF19L- *P-1H(54)



Unit : mm

Connector	No. of contacts	A	B	C	D	E	F	Remarks
DF19G- 8P-1H(54)	8	24	—	11.5	16.1	24.4	30.4	Top-board mounting (1.65mm high)
DF19G-14P-1H(54)	14	44	40.4	20.2	22.1	44.4	50.4	
DF19G-20P-1H(54)	20	44	40.4	20.2	28.1	44.4	50.4	
DF19G-30P-1H(54)	30	56	50.2	26.2	38.1	56.4	62.4	Offset mounting (1.0mm high)
DF19K-20P-1H(54)	20	44	40.4	20.2	28.1	44.4	50.4	
DF19K-30P-1H(54)	30	56	52.4	26.2	38.1	56.4	62.4	Offset mounting (1.1mm high)
DF19L-14P-1H(54)	14	44	40.4	20.2	22.1	44.4	50.4	
DF19L-20P-1H(54)	20	44	40.4	20.2	28.1	44.4	50.4	
DF19L-30P-1H(54)	30	56	52.4	26.2	38.1	56.4	62.4	

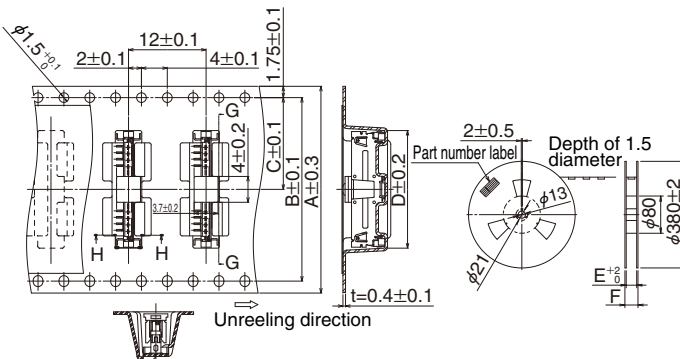
- DF19KR- *P-1H(54)



Unit : mm

Connector	No. of contacts	A	B	C	D	E	F	Remarks
DF19KR-14P-1H(54)	14	44	40.4	20.2	22.1	44.4	50.4	Reverse type of DF19K
DF19KR-20P-1H(54)	20	44	40.4	20.2	28.1	44.4	50.4	Offset mounting (1.0mm high)

- DF19- *P-1V(56)



Unit : mm

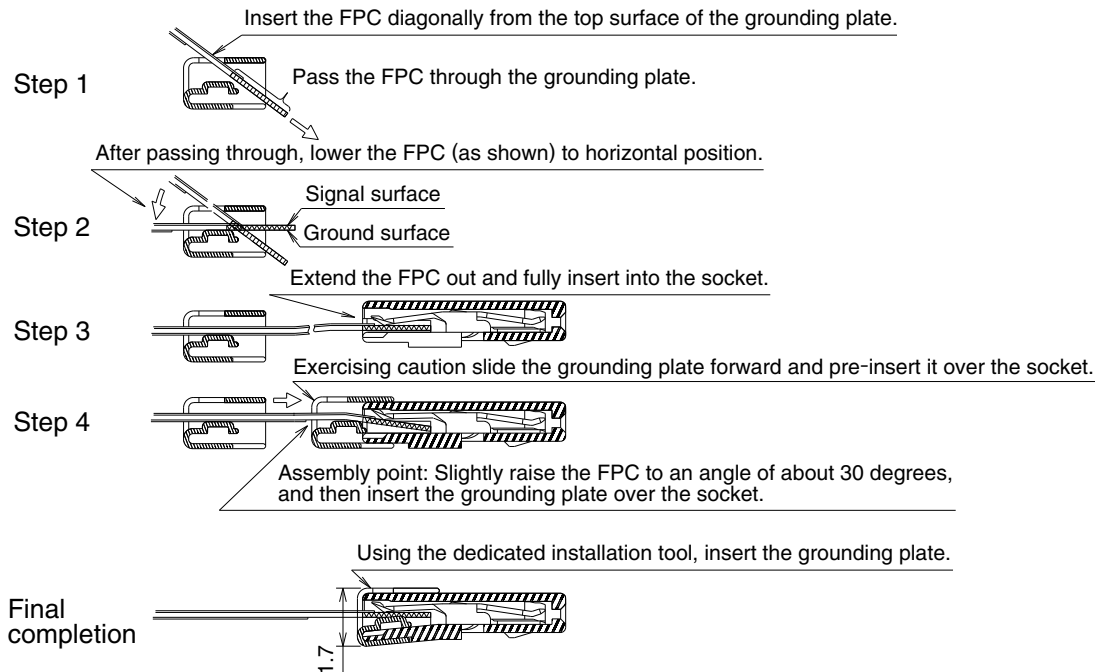
Connector	No. of contacts	A	B	C	D	E	F	Remarks
DF19-14P-1V(56)	14	32	28.4	14.2	18.2	32.4	38.4	Vertical receptacle
DF19-20P-1H(56)	20	44	40.4	20.2	24.2	44.4	50.4	

◆ Use recommendations

<p>1. Recommended temperature profile</p>	<p>Note 1 : Up to 2 cycles of Reflow soldering are possible under the same conditions, provided that there is a return to normal temperature between the first and second cycle.</p> <p>Note 2 : The temperature profile indicates the board surface temperature at the point of contacts with the connector terminals.</p> <p>Note 3 : The product can be used without trouble though the surface of a grounding plate might discolor.</p>
<p>2. Manual soldering</p>	<p>Manual soldering : 290±10°C for 3 seconds</p>
<p>3. Screen thickness</p>	<p>0.15mm</p>
<p>4. Board warpage</p>	<p>Maximum of 0.03mm at the connector center, with both ends of the connector as reference points.</p>
<p>5. Cleaning conditions</p>	<p>Refer to “Wire-to-Board Connector Use Handbook.”</p>
<p>6. Termination conditions</p>	<p>Refer to “Wire-to-Board Connector Use Handbook.”</p>
<p>7. Cautions</p>	<p>■ Do not twist when mating/un-mating.</p>
<p>8. Precautions</p>	<p>Refer to “Wire-to-Board Connector Use Handbook.”</p>

Apr.1.2017 Copyright 2017 HIROSE ELECTRIC CO., LTD. All Rights Reserved.

◆ Plug (FPC Type) Termination Procedures (Dedicated Assembly Tooling is required.)



Note 1 : The grounding plate and the plug are supplied as separate components.

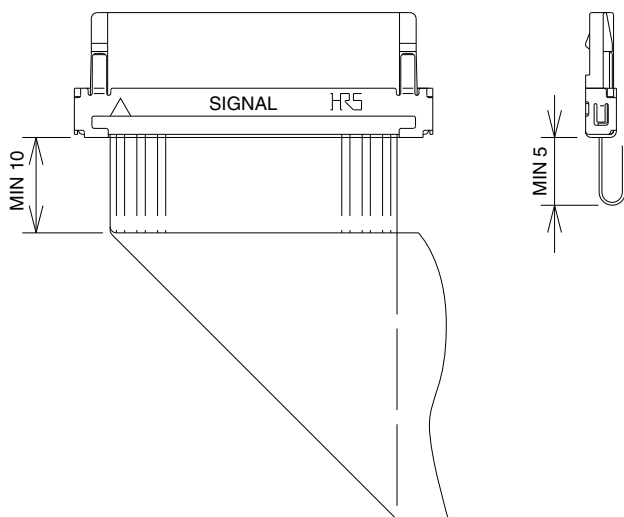
Note 2 : Dedicated assembly fixtures are required at each stage of the termination process. For detail, refer to the instruction manual supplied with the tools.

Note 3 : Do not apply excessive forces to FPC (Bending or twisting) as it may introduce cracks in the copper foil (on the cover film edge).

Note 4 : To protect the FPC, insertion and disconnection of the connectors should be performed parallel to the mating direction.

Note 5 : Do not apply excessive tension to FPC.

Note 6 : Refer to FPC manufacturer for bend radius and other specific recommendation. Distance should be allowed for the bending position, as illustrated below.



Note 7 : Follow the instruction manuals for the termination and assembly fixtures and tools.