



Chipsmall Limited consists of a professional team with an average of over 10 year of expertise in the distribution of electronic components. Based in Hongkong, we have already established firm and mutual-benefit business relationships with customers from,Europe,America and south Asia,supplying obsolete and hard-to-find components to meet their specific needs.

With the principle of “Quality Parts,Customers Priority,Honest Operation,and Considerate Service”,our business mainly focus on the distribution of electronic components. Line cards we deal with include Microchip,ALPS,ROHM,Xilinx,Pulse,ON,Everlight and Freescale. Main products comprise IC,Modules,Potentiometer,IC Socket,Relay,Connector.Our parts cover such applications as commercial,industrial, and automotives areas.

We are looking forward to setting up business relationship with you and hope to provide you with the best service and solution. Let us make a better world for our industry!



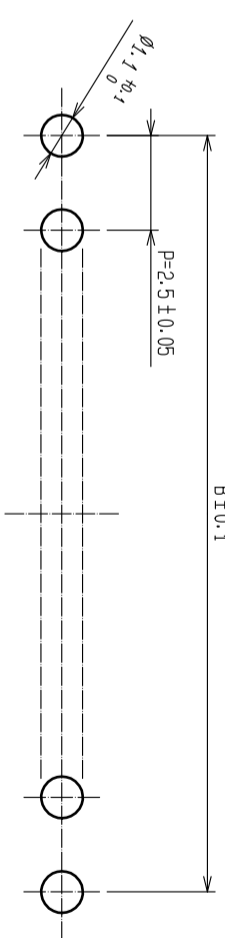
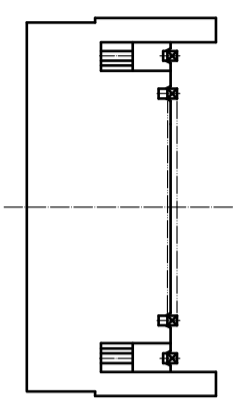
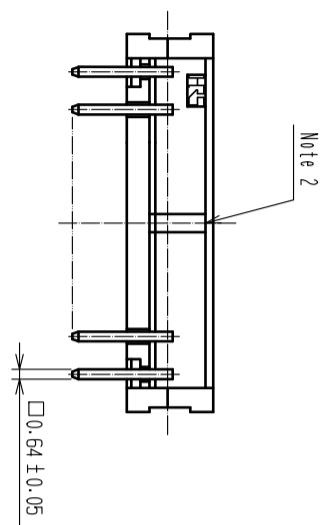
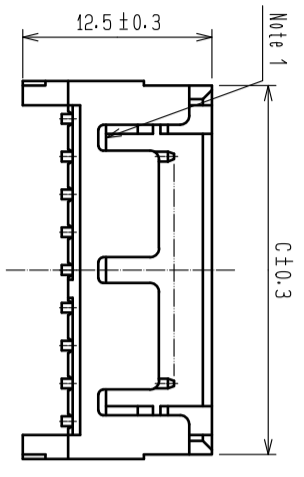
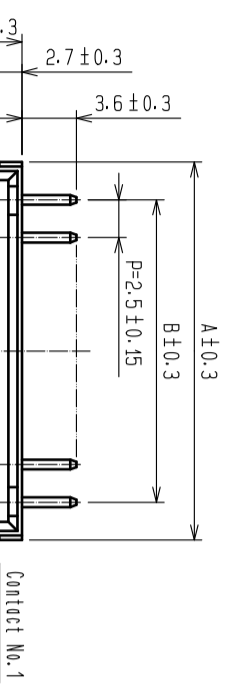
Contact us

Tel: +86-755-8981 8866 Fax: +86-755-8427 6832

Email & Skype: info@chipsmall.com Web: www.chipsmall.com

Address: A1208, Overseas Decoration Building, #122 Zhenhua RD., Futian, Shenzhen, China





Recommended pattern (5:1)
(Recommended board thickness t=1.6mm)

HRS No.	PART No.	△	the number of contacts	A	B	C
CL541-0242-6-01	DF1B-2P-2.5DS(01)		2	7.5	2.5	6.9
CL541-0243-9-01	DF1B-3P-2.5DS(01)		3	10.0	5.0	9.4
CL541-0244-1-01	DF1B-4P-2.5DS(01)		4	12.5	7.5	11.9
CL541-0245-4-01	DF1B-5P-2.5DS(01)		5	15.0	10.0	14.4
CL541-0246-7-01	DF1B-6P-2.5DS(01)		6	17.5	12.5	16.9
CL541-0247-0-01	DF1B-7P-2.5DS(01)		7	20.0	15.0	19.4
CL541-0248-2-01	DF1B-8P-2.5DS(01)		8	22.5	17.5	21.9
CL541-0249-5-01	DF1B-9P-2.5DS(01)		9	25.0	20.0	24.4
CL541-0250-4-01	DF1B-10P-2.5DS(01)		10	27.5	22.5	26.9
CL541-0251-7-01	DF1B-11P-2.5DS(01)		11	30.0	25.0	29.4
CL541-0252-0-01	DF1B-12P-2.5DS(01)		12	32.5	27.5	31.9
CL541-0253-2-01	DF1B-13P-2.5DS(01)		13	35.0	30.0	34.4
CL541-0254-5-01	DF1B-14P-2.5DS(01)		14	37.5	32.5	36.9
CL541-0255-8-01	DF1B-15P-2.5DS(01)		15	40.0	35.0	39.4
CL541-0256-0-01	DF1B-16P-2.5DS(01)		16	42.5	37.5	41.9
CL541-0257-3-01	DF1B-18P-2.5DS(01)		18	47.5	42.5	46.9
CL541-0258-6-01	DF1B-20P-2.5DS(01)		20	52.5	47.5	51.9

Notes 1: 2 positions and 3 positions headers have one polarizing slot at center.
4 to 7 positions have 2 polarizing slots at both ends.
Other positions have 3 polarizing slots as per drawing.
2: In the case of the connectors with odd number contact, the stand-off shifts 1.25 rightward. (Stand-off available from 8 positions up)
△ 3: 100 connectors are in one pack.

1	Polymide	Natural(White), UL94V-0	2	Brass	Surface:Gold plated 0.2µm MIN. Under plating:Nickel plated 1µm MIN.
NO.	MATERIAL	FINISH . REMARKS	NO.	MATERIAL	FINISH . REMARKS
UNITS	SCALE	COUNT	DESCRIPTION OF REVISIONS	DESIGNED	CHECKED
mm	2 : 1	2	DIS-H-00001448	HT. SATO	TS. FUKUSHIMA
APPROVED : KJ. KATAYOSE 05.01.05			DRAWING		
CHECKED : TY. OMA 05.01.05			EDC3-162412-01		
DESIGNED : TS. KUMAZAWA 05.01.05			PART NO.		
DRAWN : TS. KUMAZAWA 05.01.05			DF1B-*P-2.5DS(01)		
			CODE		
			CL541-		