



Chipsmall Limited consists of a professional team with an average of over 10 year of expertise in the distribution of electronic components. Based in Hongkong, we have already established firm and mutual-benefit business relationships with customers from,Europe,America and south Asia,supplying obsolete and hard-to-find components to meet their specific needs.

With the principle of “Quality Parts,Customers Priority,Honest Operation,and Considerate Service”,our business mainly focus on the distribution of electronic components. Line cards we deal with include Microchip,ALPS,ROHM,Xilinx,Pulse,ON,Everlight and Freescale. Main products comprise IC,Modules,Potentiometer,IC Socket,Relay,Connector.Our parts cover such applications as commercial,industrial, and automotives areas.

We are looking forward to setting up business relationship with you and hope to provide you with the best service and solution. Let us make a better world for our industry!



Contact us

Tel: +86-755-8981 8866 Fax: +86-755-8427 6832

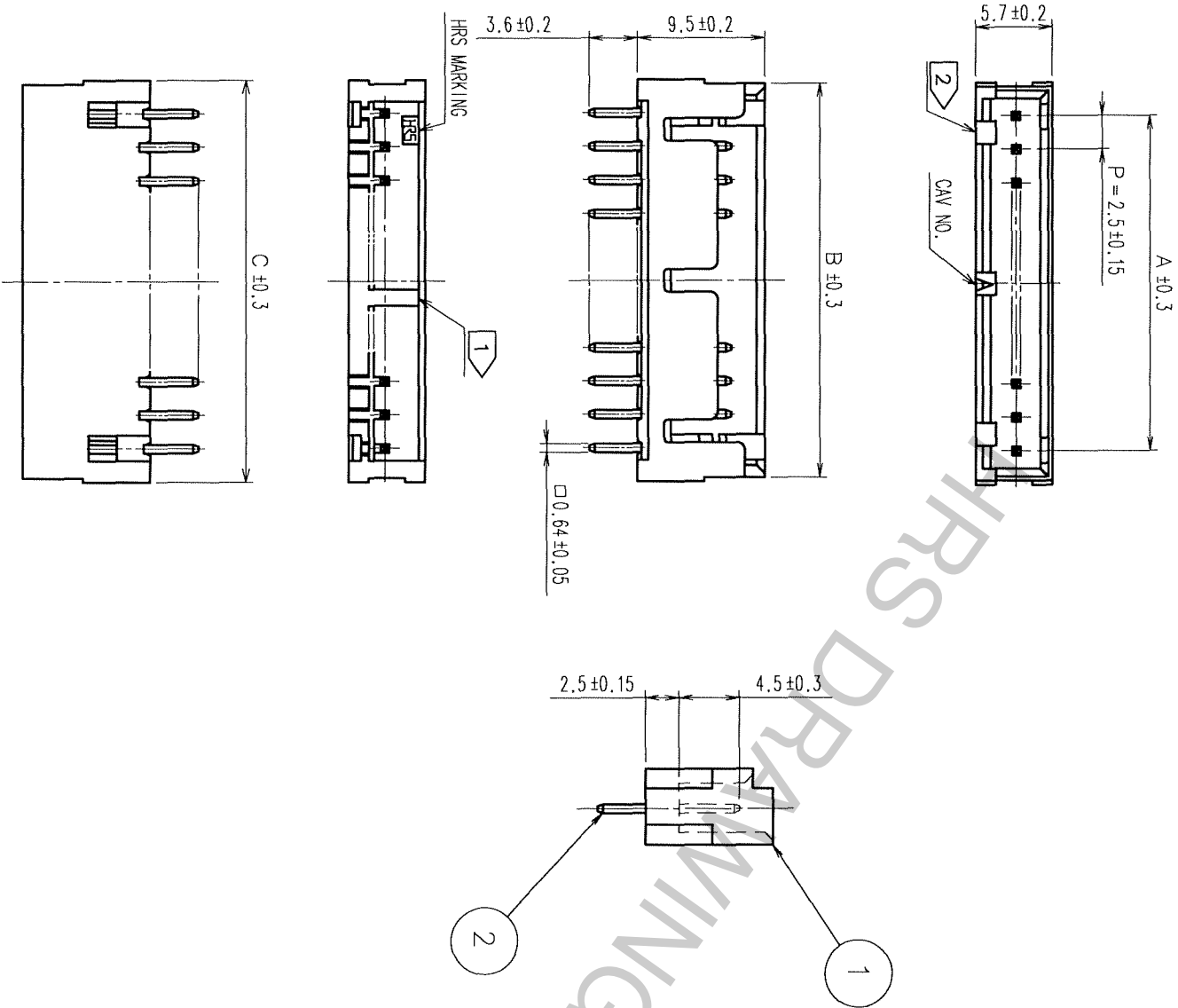
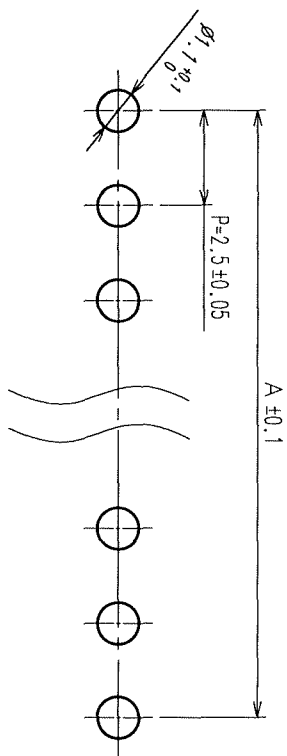
Email & Skype: info@chipsmall.com Web: www.chipsmall.com

Address: A1208, Overseas Decoration Building, #122 Zhenhua RD., Futian, Shenzhen, China



COUNT	DESCRIPTION OF REVISIONS	BY	CHKD	DATE	COUNT	DESCRIPTION OF REVISIONS	BY	CHKD	DATE

RECOMMENDED PATTERN(5:1)



PART NO.	CODE NO.	CONTACT NO.	A	B	C
DF1B-2P-2.5DSA(01)	CL541-0225-7-01	2	2.5	6.9	7.5
DF1B-3P-2.5DSA(01)	CL541-0226-0-01	3	5.0	9.4	10.0
DF1B-4P-2.5DSA(01)	CL541-0227-2-01	4	7.5	11.9	12.5
DF1B-5P-2.5DSA(01)	CL541-0228-5-01	5	10.0	14.4	15.0
DF1B-6P-2.5DSA(01)	CL541-0229-8-01	6	12.5	16.9	17.5
DF1B-7P-2.5DSA(01)	CL541-0230-7-01	7	15.0	19.4	20.0
DF1B-8P-2.5DSA(01)	CL541-0231-0-01	8	17.5	21.9	22.5
DF1B-9P-2.5DSA(01)	CL541-0232-2-01	9	20.0	24.4	25.0
DF1B-10P-2.5DSA(01)	CL541-0233-5-01	10	22.5	26.9	27.5
DF1B-11P-2.5DSA(01)	CL541-0234-8-01	11	25.0	29.4	30.0
DF1B-12P-2.5DSA(01)	CL541-0235-0-01	12	27.5	31.9	32.5
DF1B-13P-2.5DSA(01)	CL541-0236-3-01	13	30.0	34.4	35.0
DF1B-14P-2.5DSA(01)	CL541-0237-6-01	14	32.5	36.9	37.5
DF1B-15P-2.5DSA(01)	CL541-0238-9-01	15	35.0	39.4	40.0
DF1B-16P-2.5DSA(01)	CL541-0239-1-01	16	37.5	41.9	42.5
DF1B-18P-2.5DSA(01)	CL541-0240-0-01	18	42.5	46.9	47.5
DF1B-20P-2.5DSA(01)	CL541-0241-3-01	20	47.5	51.9	52.5

NOTES 1: WHEN THE NUMBERS OF CONTACTS IS ODD, THE STAND-OFF SHIFTS 1.25 RIGHTWARD. (STAND-OFF AVAILABLE FROM 4 POSITIONS UP.)
 2: 2 POSITIONS AND 3 POSITIONS HEADERS HAVE 1 POLARIZING SLOT AT CENTER. TO 6 POSITIONS FROM 4 POSITIONS HAVE 2 POLARIZING SLOTS. OTHER POSITIONS HAVE 3 POLARIZING SLOTS AS PER DRAWING.

1	POLYAMIDE	UL94V-0, NATURAL (WHITE)	2	BRASS	SURFACE: GOLD PLATED 0.2μm min UNDER PLATING: NICKEL PLATED 1μm min
NO. MATERIAL		FINISH, REMARKS		FINISH, REMARKS	
CODE NO. (OLD)		NO.		MATERIAL	
DRAWN		DESIGNED		CHECKED	
A. Miura		A. Miyazaki		H. Tanaka	
'06.08.05		'06.08.05		'06.08.05	
DRAWING NO.		PART NO.		APPROVED	
EDC3-071798-03		DF1B-*P-2.5DSA(01)		J. Owa	
SCALE		CODE NO.		RELEASED	
5 : 1		CL541-		1	
UNITS					
MM					

TO