



Chipsmall Limited consists of a professional team with an average of over 10 year of expertise in the distribution of electronic components. Based in Hongkong, we have already established firm and mutual-benefit business relationships with customers from,Europe,America and south Asia,supplying obsolete and hard-to-find components to meet their specific needs.

With the principle of “Quality Parts,Customers Priority,Honest Operation,and Considerate Service”,our business mainly focus on the distribution of electronic components. Line cards we deal with include Microchip,ALPS,ROHM,Xilinx,Pulse,ON,Everlight and Freescale. Main products comprise IC,Modules,Potentiometer,IC Socket,Relay,Connector.Our parts cover such applications as commercial,industrial, and automotives areas.

We are looking forward to setting up business relationship with you and hope to provide you with the best service and solution. Let us make a better world for our industry!



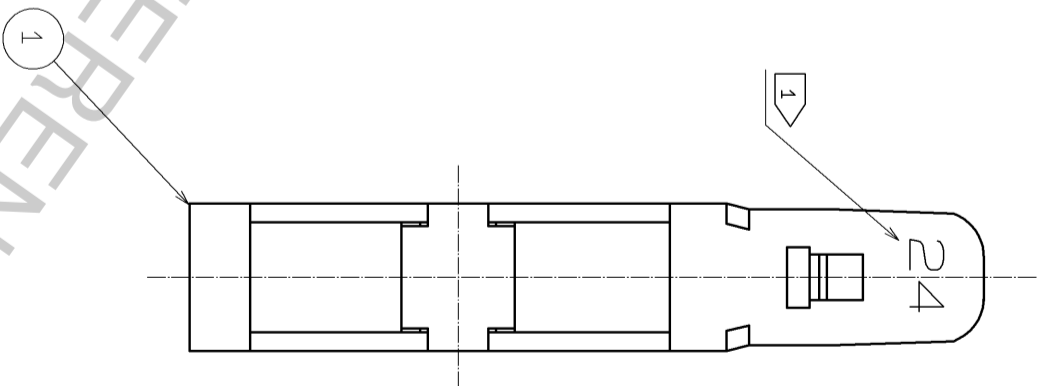
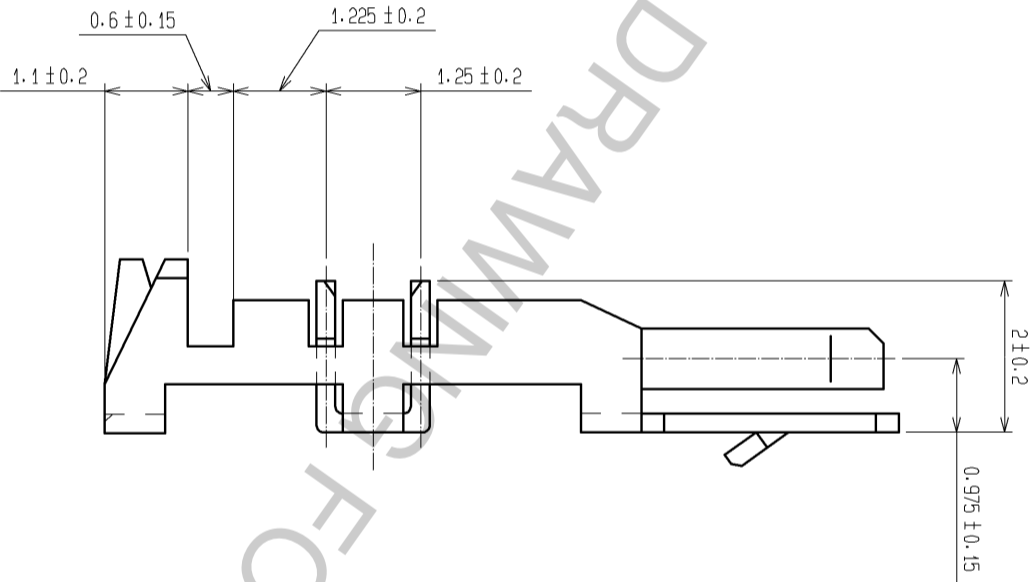
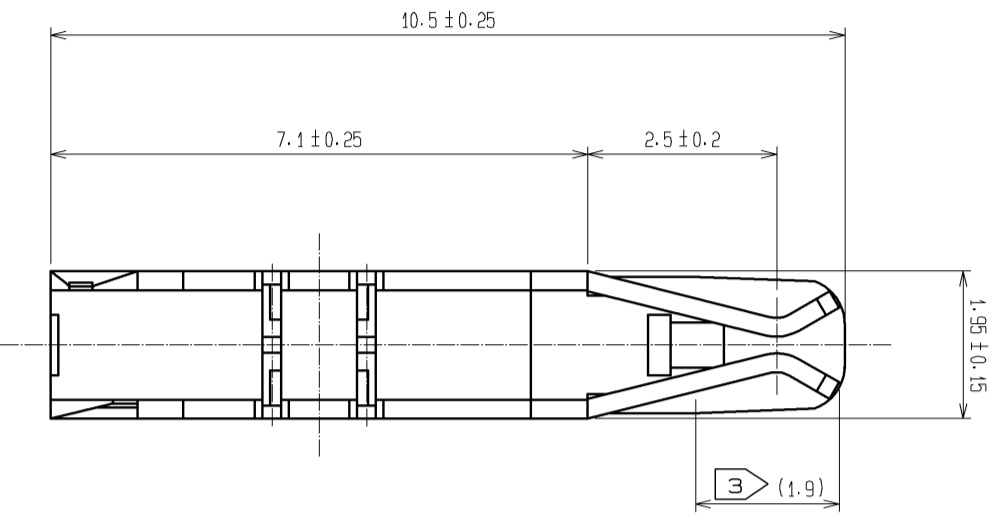
Contact us

Tel: +86-755-8981 8866 Fax: +86-755-8427 6832

Email & Skype: info@chipsmall.com Web: www.chipsmall.com

Address: A1208, Overseas Decoration Building, #122 Zhenhua RD., Futian, Shenzhen, China





HRS NO.	PART NO.	1	2
CL541-0266-4-06	DF1B-R28A(06)	STAMPED CHARACTER	APPLICABLE CABLE
		28	UL1007 AWG28

- NOTES
- INDICATE APPLICABLE CABLE AWG NO.
 - JACKET DIAMETER ϕ 0.9 to ϕ 1.39.
 - RANGE OF GOLD PLATED.
 - IPACK:100 CONNECTORS.

HRS DRAWINGS FOR REFERENCE

NO.	UNITS	MATERIAL	FINISH	REMARKS	NO.	MATERIAL	FINISH	REMARKS
1	mm	PHOSPHOR BRONZE			1	PHOSPHOR BRONZE		CONTACT AREA: GOLD PLATED 0.2 μ m min OTHER AREA: TIN PLATED 2.0 μ m min UNDER PLATING: NICKEL PLATED 1.0 μ m min

NO.	SCALE	COUNT	DESCRIPTION OF REVISIONS	DESIGNED	CHECKED	DATE
1	10:1					

APPROVED	DESIGNED	CHECKED	DRAWN	NO.	DATE
KI. AKIYAMA	KY. SHIMAKURA	HK. UMEHARA	MI. SAKIYURA	12.10.22	12.10.19

NO.	DRAWING	FINISH	REMARKS
1	EDC3-020660-01		
PART NO.	DF1B-R28A(06)		
CODE	CL541-0266-4-06		