



Chipsmall Limited consists of a professional team with an average of over 10 year of expertise in the distribution of electronic components. Based in Hongkong, we have already established firm and mutual-benefit business relationships with customers from,Europe,America and south Asia,supplying obsolete and hard-to-find components to meet their specific needs.

With the principle of “Quality Parts,Customers Priority,Honest Operation,and Considerate Service”,our business mainly focus on the distribution of electronic components. Line cards we deal with include Microchip,ALPS,ROHM,Xilinx,Pulse,ON,Everlight and Freescale. Main products comprise IC,Modules,Potentiometer,IC Socket,Relay,Connector.Our parts cover such applications as commercial,industrial, and automotives areas.

We are looking forward to setting up business relationship with you and hope to provide you with the best service and solution. Let us make a better world for our industry!



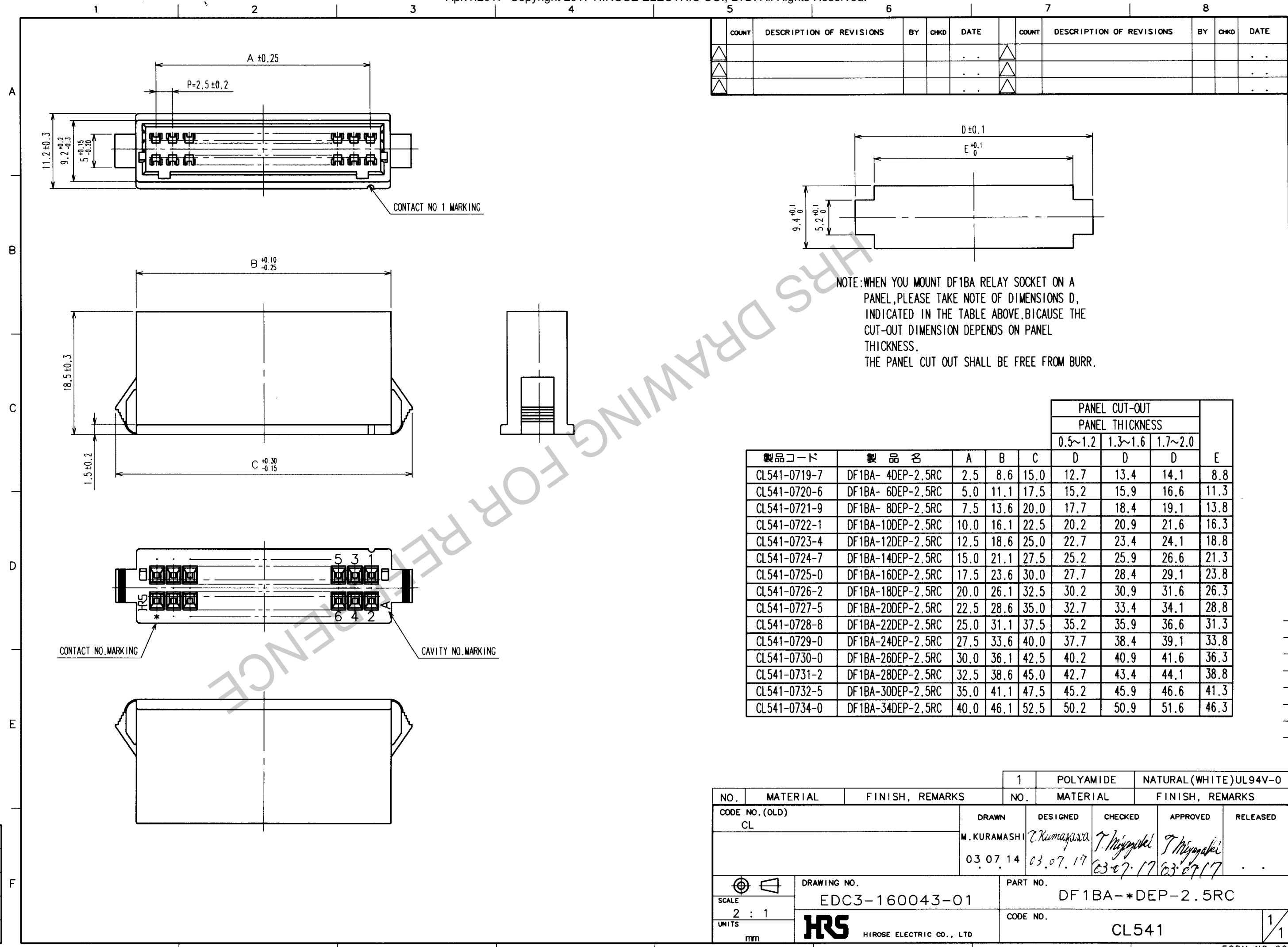
## Contact us

Tel: +86-755-8981 8866 Fax: +86-755-8427 6832

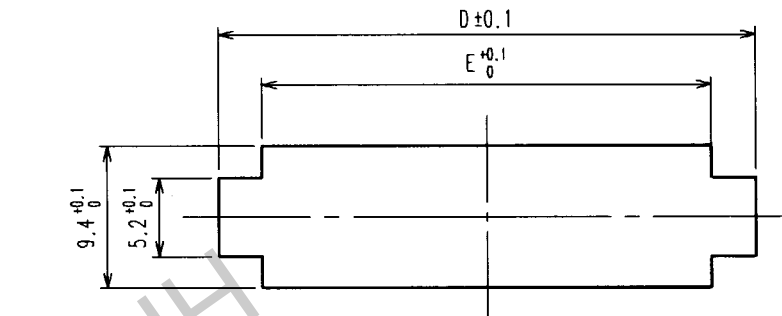
Email & Skype: info@chipsmall.com Web: www.chipsmall.com

Address: A1208, Overseas Decoration Building, #122 Zhenhua RD., Futian, Shenzhen, China





COUNT	DESCRIPTION OF REVISIONS	BY	CHKD	DATE	COUNT	DESCRIPTION OF REVISIONS	BY	CHKD	DATE



NOTE: WHEN YOU MOUNT DF1BA RELAY SOCKET ON A PANEL, PLEASE TAKE NOTE OF DIMENSIONS D, INDICATED IN THE TABLE ABOVE. BECAUSE THE CUT-OUT DIMENSION DEPENDS ON PANEL THICKNESS. THE PANEL CUT OUT SHALL BE FREE FROM BURR.

PANEL CUT-OUT			E
PANEL THICKNESS			
0.5~1.2	1.3~1.6	1.7~2.0	
D	D	D	

製品コード	製品名	A	B	C	D	D	D	E
CL541-0719-7	DF1BA- 4DEP-2.5RC	2.5	8.6	15.0	12.7	13.4	14.1	8.8
CL541-0720-6	DF1BA- 6DEP-2.5RC	5.0	11.1	17.5	15.2	15.9	16.6	11.3
CL541-0721-9	DF1BA- 8DEP-2.5RC	7.5	13.6	20.0	17.7	18.4	19.1	13.8
CL541-0722-1	DF1BA-10DEP-2.5RC	10.0	16.1	22.5	20.2	20.9	21.6	16.3
CL541-0723-4	DF1BA-12DEP-2.5RC	12.5	18.6	25.0	22.7	23.4	24.1	18.8
CL541-0724-7	DF1BA-14DEP-2.5RC	15.0	21.1	27.5	25.2	25.9	26.6	21.3
CL541-0725-0	DF1BA-16DEP-2.5RC	17.5	23.6	30.0	27.7	28.4	29.1	23.8
CL541-0726-2	DF1BA-18DEP-2.5RC	20.0	26.1	32.5	30.2	30.9	31.6	26.3
CL541-0727-5	DF1BA-20DEP-2.5RC	22.5	28.6	35.0	32.7	33.4	34.1	28.8
CL541-0728-8	DF1BA-22DEP-2.5RC	25.0	31.1	37.5	35.2	35.9	36.6	31.3
CL541-0729-0	DF1BA-24DEP-2.5RC	27.5	33.6	40.0	37.7	38.4	39.1	33.8
CL541-0730-0	DF1BA-26DEP-2.5RC	30.0	36.1	42.5	40.2	40.9	41.6	36.3
CL541-0731-2	DF1BA-28DEP-2.5RC	32.5	38.6	45.0	42.7	43.4	44.1	38.8
CL541-0732-5	DF1BA-30DEP-2.5RC	35.0	41.1	47.5	45.2	45.9	46.6	41.3
CL541-0734-0	DF1BA-34DEP-2.5RC	40.0	46.1	52.5	50.2	50.9	51.6	46.3

1	POLYAMIDE	NATURAL (WHITE) UL94V-0
---	-----------	-------------------------

NO.	MATERIAL	FINISH, REMARKS	NO.	MATERIAL	FINISH, REMARKS
CODE NO. (OLD)			DRAWN	DESIGNED	CHECKED
CL			M. KURAMASHI	T. Kimagawa	T. Miyagaki
			03.07.14	03.07.17	03.07.17
			APPROVED	RELEASED	
			T. Miyagaki		
DRAWING NO.			PART NO.		
EDC3-160043-01			DF1BA-*DEP-2.5RC		
SCALE			CODE NO.		
2 : 1			CL541		
UNITS					
mm					
HRS HIROSE ELECTRIC CO., LTD					

TO