



Chipsmall Limited consists of a professional team with an average of over 10 year of expertise in the distribution of electronic components. Based in Hongkong, we have already established firm and mutual-benefit business relationships with customers from,Europe,America and south Asia,supplying obsolete and hard-to-find components to meet their specific needs.

With the principle of “Quality Parts,Customers Priority,Honest Operation,and Considerate Service”,our business mainly focus on the distribution of electronic components. Line cards we deal with include Microchip,ALPS,ROHM,Xilinx,Pulse,ON,Everlight and Freescale. Main products comprise IC,Modules,Potentiometer,IC Socket,Relay,Connector.Our parts cover such applications as commercial,industrial, and automotives areas.

We are looking forward to setting up business relationship with you and hope to provide you with the best service and solution. Let us make a better world for our industry!



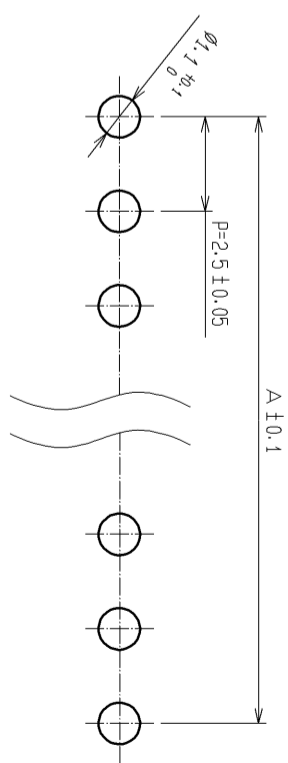
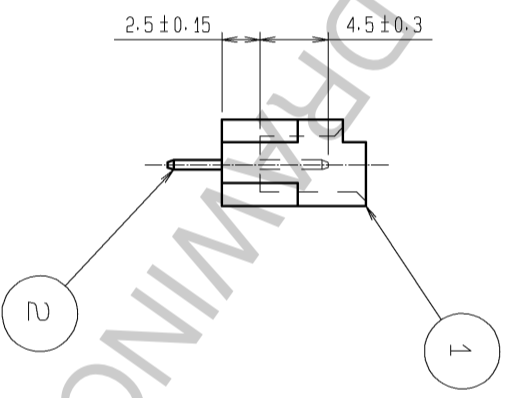
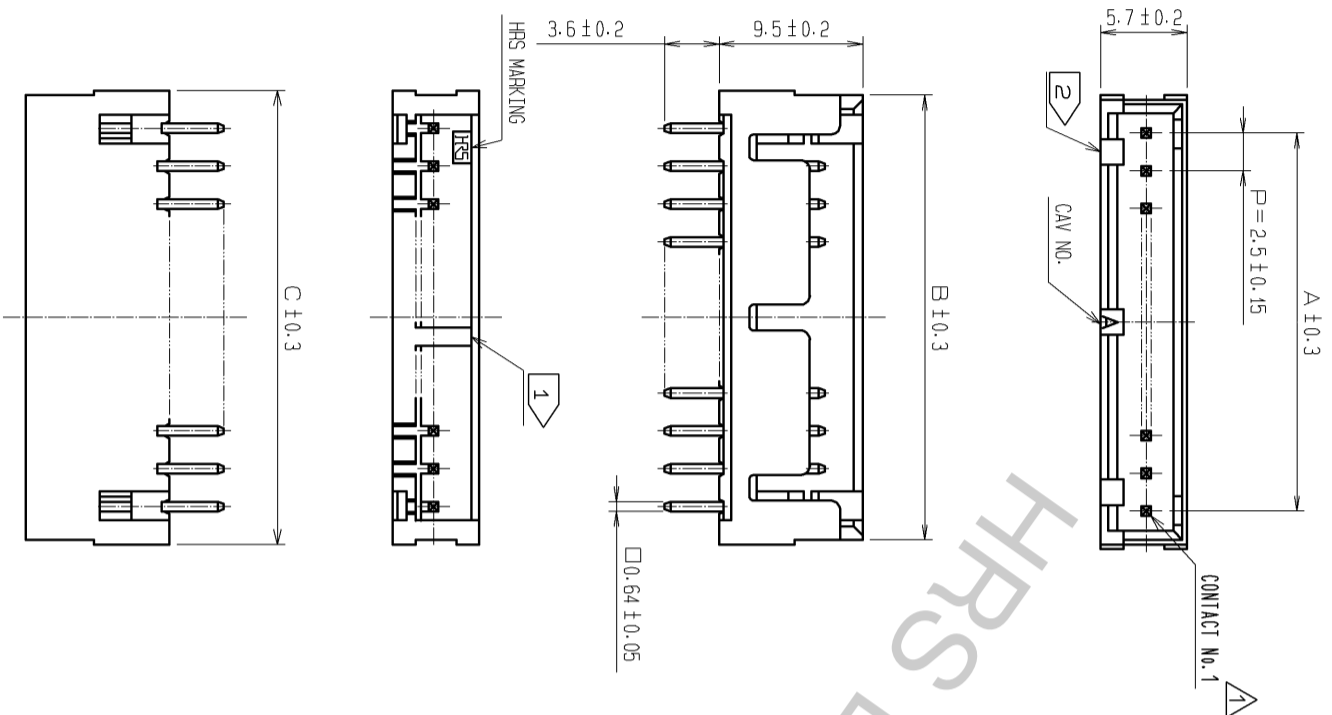
Contact us

Tel: +86-755-8981 8866 Fax: +86-755-8427 6832

Email & Skype: info@chipsmall.com Web: www.chipsmall.com

Address: A1208, Overseas Decoration Building, #122 Zhenhua RD., Futian, Shenzhen, China





RECOMMENDED PATTERN(5:1)

PART NO.	CODE NO.	CONTACT NO.	A	B	C
DF1BZ-2P-2.5DSA	CL541-2000-8	2	2.5	6.9	7.5
DF1BZ-3P-2.5DSA	CL541-2001-0	3	5.0	9.4	10.0
DF1BZ-4P-2.5DSA	CL541-2002-3	4	7.5	11.9	12.5
DF1BZ-5P-2.5DSA	CL541-2003-6	5	10.0	14.4	15.0
DF1BZ-6P-2.5DSA	CL541-2004-9	6	12.5	16.9	17.5
DF1BZ-7P-2.5DSA	CL541-2005-1	7	15.0	19.4	20.0
DF1BZ-8P-2.5DSA	CL541-2006-4	8	17.5	21.9	22.5
DF1BZ-9P-2.5DSA	CL541-2007-7	9	20.0	24.4	25.0
DF1BZ-10P-2.5DSA	CL541-2008-0	10	22.5	26.9	27.5
DF1BZ-11P-2.5DSA	CL541-2009-2	11	25.0	29.4	30.0
DF1BZ-12P-2.5DSA	CL541-2010-1	12	27.5	31.9	32.5
DF1BZ-13P-2.5DSA	CL541-2011-4	13	30.0	34.4	35.0
DF1BZ-14P-2.5DSA	CL541-2012-7	14	32.5	36.9	37.5
DF1BZ-15P-2.5DSA	CL541-2013-0	15	35.0	39.4	40.0
DF1BZ-16P-2.5DSA	CL541-2014-2	16	37.5	41.9	42.5
DF1BZ-18P-2.5DSA	CL541-2015-5	18	42.5	46.9	47.5
DF1BZ-20P-2.5DSA	CL541-2016-8	20	47.5	51.9	52.5

NOTES ①: WHEN THE NUMBERS OF CONTACTS IS ODD, THE STAND-OFF SHIFTS 1.25 RIGHTWARD. (STAND-OFF AVAILABLE FROM 4 POSITIONS UP.)
 ②: 2 POSITIONS AND 3 POSITIONS HEADERS HAVE 1 POLARIZING SLOT AT CENTER. TO 6 POSITIONS FROM 4 POSITIONS HAVE 2 POLARIZING SLOTS. OTHER POSITIONS HAVE 3 POLARIZING SLOTS AS PER DRAWING.

1	POLYAMIDE	UL94V-0, NATURAL(WHITE)	2	BRASS	SURFACE: TIN PLATED 1μm min UNDER PLATING: NICKEL PLATED 0.5μm min
NO.	MATERIAL	FINISH . REMARKS	NO.	MATERIAL	FINISH . REMARKS
UNITS	SCALE	COUNT	DESCRIPTION OF REVISIONS	DESIGNED	CHECKED
mm	5 : 1	1	DIS-H-002720	YK: NAKATSU	HK: UMEHARA
APPROVED : K.J. KATAYOSE		05.01.05		DRAWING NO. EDC3-303206-01	
CHECKED : TY. OMA		05.01.05		PART NO. DF1BZ-*P-2.5DSA	
DESIGNED : TS. KUMAZAWA		05.01.05		CODE NO. CL541-	
DRAWN : TS. KUMAZAWA		05.01.05		DATE 08.01.15	