



Chipsmall Limited consists of a professional team with an average of over 10 year of expertise in the distribution of electronic components. Based in Hongkong, we have already established firm and mutual-benefit business relationships with customers from,Europe,America and south Asia,supplying obsolete and hard-to-find components to meet their specific needs.

With the principle of “Quality Parts,Customers Priority,Honest Operation,and Considerate Service”,our business mainly focus on the distribution of electronic components. Line cards we deal with include Microchip,ALPS,ROHM,Xilinx,Pulse,ON,Everlight and Freescale. Main products comprise IC,Modules,Potentiometer,IC Socket,Relay,Connector.Our parts cover such applications as commercial,industrial, and automotives areas.

We are looking forward to setting up business relationship with you and hope to provide you with the best service and solution. Let us make a better world for our industry!



Contact us

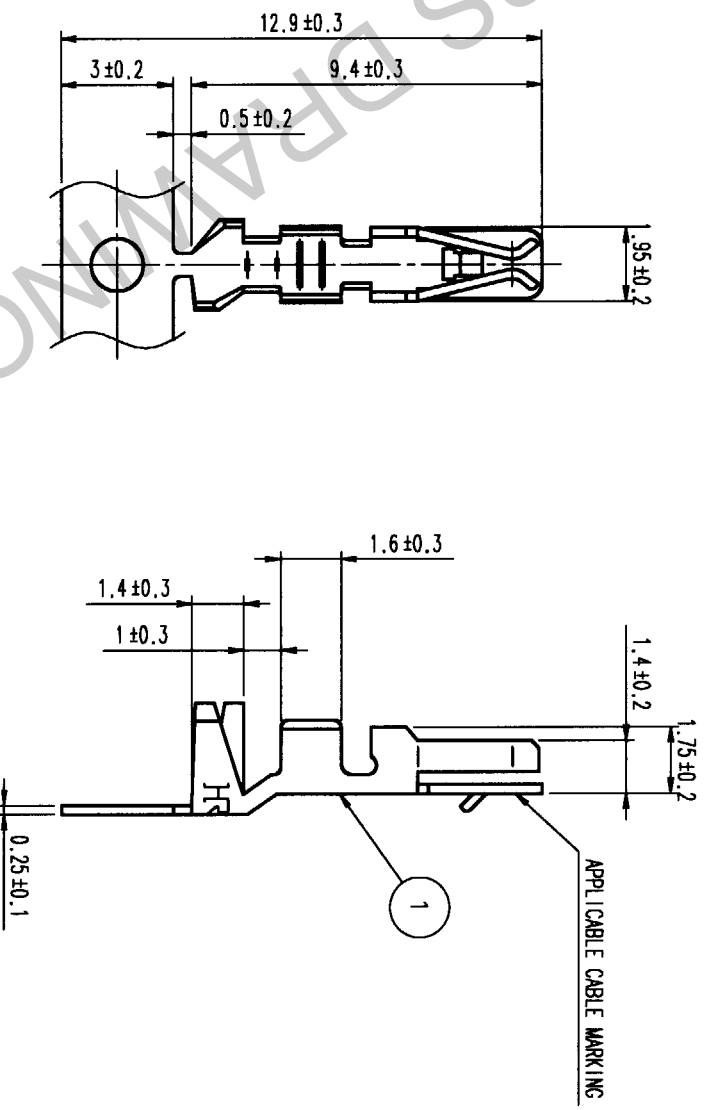
Tel: +86-755-8981 8866 Fax: +86-755-8427 6832

Email & Skype: info@chipsmall.com Web: www.chipsmall.com

Address: A1208, Overseas Decoration Building, #122 Zhenhua RD., Futian, Shenzhen, China



1	2	3	4
COUNT	DESCRIPTION OF REVISIONS	BY	CHKD
DATE	COUNT	DESCRIPTION OF REVISIONS	BY
CHKD	DATE	BY	CHKD
DATE	DATE	DATE	DATE



NOTE1: 1 REEL 10000 CONTACTS

NO.	MATERIAL	FINISH, REMARKS	NO.	MATERIAL	FINISH, REMARKS
1	PHOSPHOR BRONZE	TIN PLATED			

NO. (OLD)	MATERIAL	FINISH, REMARKS	NO.	MATERIAL	FINISH, REMARKS
CL					

DRAWING NO. EDC4-161406 HRS HIROSE ELECTRIC CO., LTD.	DRAWN Y. NAGASHIMA '00.08.09	DESIGNED <i>Y. Sano</i> 00.08.09	CHECKED <i>T. Higashida</i> 00.08.09	APPROVED <i>K. Kitayama</i> 00.8.9	RELEASED
SCALE 5 : 1 UNITS MM	PART NO. DF1E-2022SCF	CODE NO. CL541-0999-5	CODE NO.	FORM NO. 22B	1 1

TO

(2)