



Chipsmall Limited consists of a professional team with an average of over 10 year of expertise in the distribution of electronic components. Based in Hongkong, we have already established firm and mutual-benefit business relationships with customers from,Europe,America and south Asia,supplying obsolete and hard-to-find components to meet their specific needs.

With the principle of “Quality Parts,Customers Priority,Honest Operation,and Considerate Service”,our business mainly focus on the distribution of electronic components. Line cards we deal with include Microchip,ALPS,ROHM,Xilinx,Pulse,ON,Everlight and Freescale. Main products comprise IC,Modules,Potentiometer,IC Socket,Relay,Connector.Our parts cover such applications as commercial,industrial, and automotives areas.

We are looking forward to setting up business relationship with you and hope to provide you with the best service and solution. Let us make a better world for our industry!



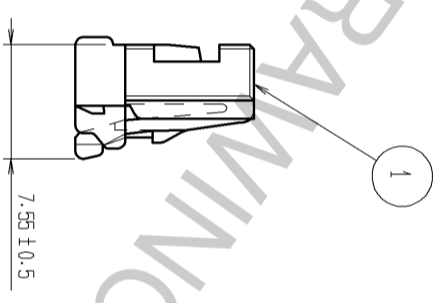
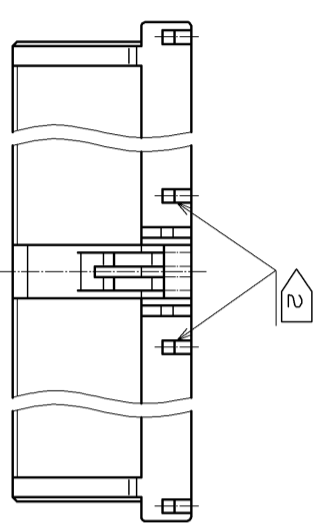
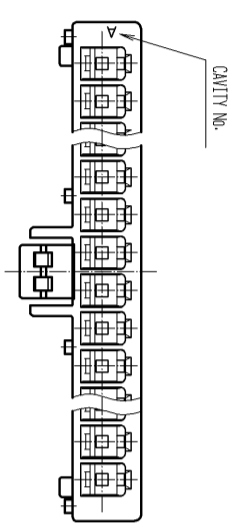
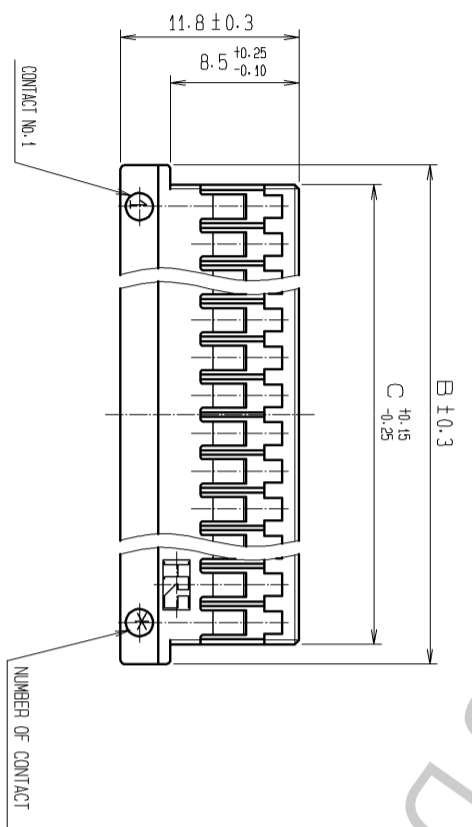
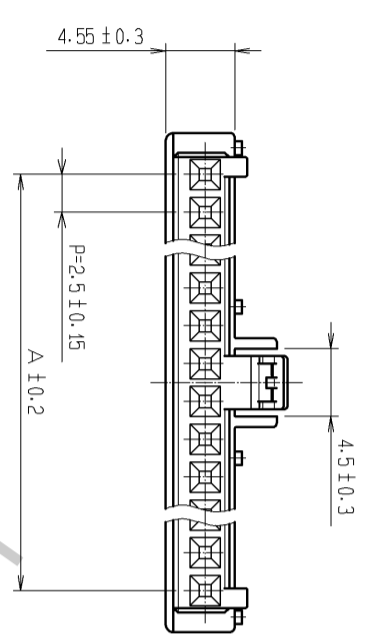
Contact us

Tel: +86-755-8981 8866 Fax: +86-755-8427 6832

Email & Skype: info@chipsmall.com Web: www.chipsmall.com

Address: A1208, Overseas Decoration Building, #122 Zhenhua RD., Futian, Shenzhen, China





FOR DF1E-2S-2.5C

FOR DF1E-3S-2.5C



△ PART No.	CODE No.	NUMBER OF CONTACTS	A	B	C
DF1E-2S-2.5C	CL541-0811-0	2	2.5	8.0	5.4
DF1E-3S-2.5C	CL541-0812-2	3	5.0	10.5	7.9
DF1E-4S-2.5C	CL541-0813-5	4	7.5	13.0	10.4
DF1E-5S-2.5C	CL541-0814-8	5	10.0	15.5	12.9
DF1E-6S-2.5C	CL541-0815-0	6	12.5	18.0	15.4
DF1E-7S-2.5C	CL541-0816-3	7	15.0	20.5	17.9
DF1E-8S-2.5C	CL541-0817-0	8	17.5	23.0	20.4
DF1E-9S-2.5C	CL541-0818-9	9	20.0	25.5	22.9
DF1E-10S-2.5C	CL541-0819-1	10	22.5	28.0	25.4
DF1E-11S-2.5C	CL541-0820-0	11	25.0	30.5	27.9
DF1E-12S-2.5C	CL541-0821-3	12	27.5	33.0	30.4
DF1E-13S-2.5C	CL541-0822-6	13	30.0	35.5	32.9
DF1E-14S-2.5C	CL541-0823-9	14	32.5	38.0	35.4
DF1E-15S-2.5C	CL541-0824-1	15	35.0	40.5	37.9

NOTES
 1 : CONFIGURATION OF DF1E-2S-2.5C AND DF1E-3S-2.5C
 2 : ONLY APPLICABLE TO PRODUCTS OF 6 POSITIONS AND OVER.
 (TWO PROTRUSIONS ARE NOT PROVIDED TO PRODUCTS OF 5 POSITIONS AND BELOW.)
 3 : 1 PACK 100 PIECES.

NO.	MATERIAL	FINISH	REMARKS	NO.	POLYAMIDE	WHITE(NATURAL). UL94V-0
UNITS	SCALE	COUNT	DESCRIPTION OF REVISIONS	DESIGNED	CHECKED	DATE
mm	2 : 1	3	DIS-H-006008	MI. SAKIMURA	HK. UMEHARA	11.07.20
APPROVED : TY. OMA			07.02.27	DRAWING NO. EDC3-161939-01		
CHECKED : HK. UMEHARA			07.02.27	PART NO. DF1E-S-2.5C		
DESIGNED : AH. MIYAZAKI			07.02.22	CODE NO. CL541-		
DRAWN : AK. MURA			07.02.22	1/1		