



Chipsmall Limited consists of a professional team with an average of over 10 year of expertise in the distribution of electronic components. Based in Hongkong, we have already established firm and mutual-benefit business relationships with customers from,Europe,America and south Asia,supplying obsolete and hard-to-find components to meet their specific needs.

With the principle of “Quality Parts,Customers Priority,Honest Operation,and Considerate Service”,our business mainly focus on the distribution of electronic components. Line cards we deal with include Microchip,ALPS,ROHM,Xilinx,Pulse,ON,Everlight and Freescale. Main products comprise IC,Modules,Potentiometer,IC Socket,Relay,Connector.Our parts cover such applications as commercial,industrial, and automotives areas.

We are looking forward to setting up business relationship with you and hope to provide you with the best service and solution. Let us make a better world for our industry!



Contact us

Tel: +86-755-8981 8866 Fax: +86-755-8427 6832

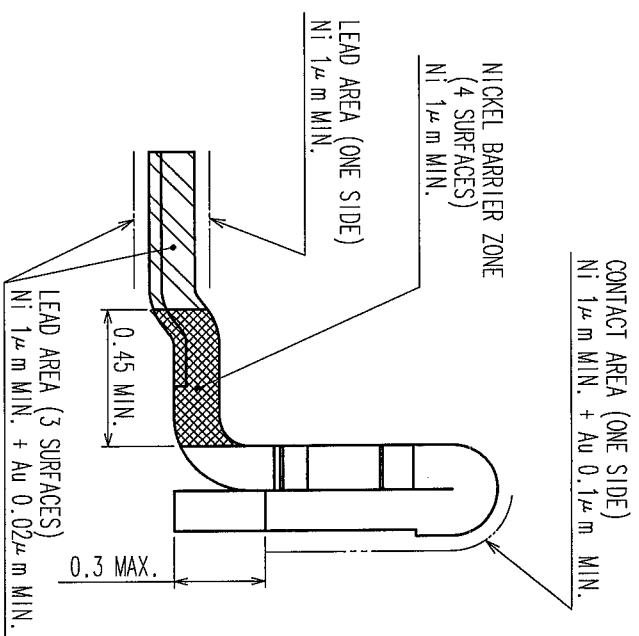
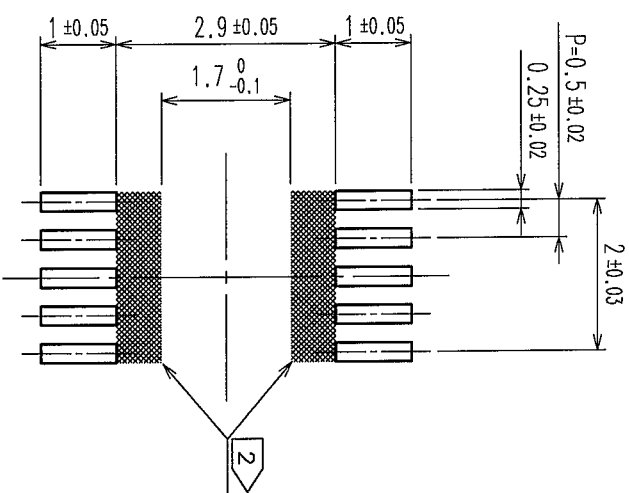
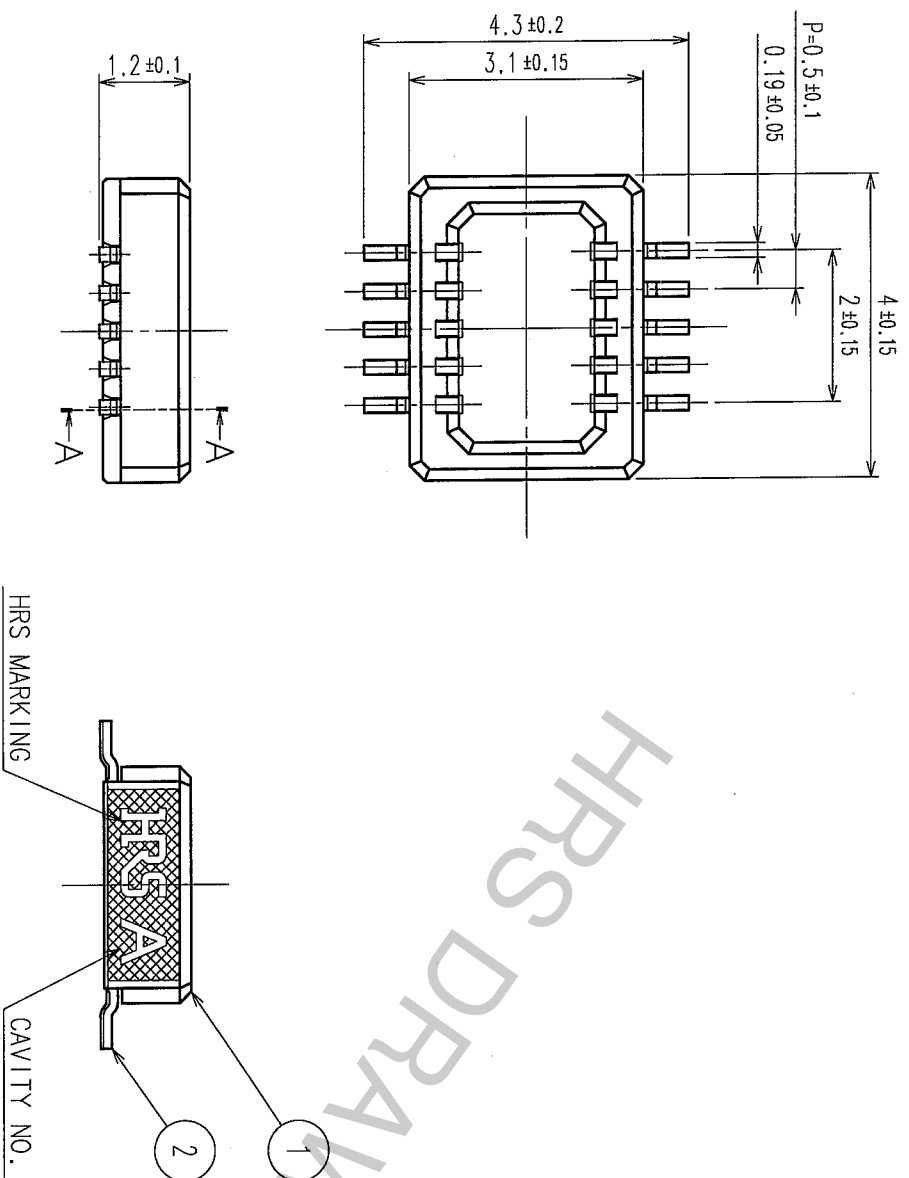
Email & Skype: info@chipsmall.com Web: www.chipsmall.com

Address: A1208, Overseas Decoration Building, #122 Zhenhua RD., Futian, Shenzhen, China



COUNT	DESCRIPTION OF REVISIONS	BY	CHKD	DATE	COUNT	DESCRIPTION OF REVISIONS	BY	CHKD	DATE
2	DIS-H-002388	T.Y	TM	07.08.27					

Fig. 1 : RECOMMENDED PATTERN 3 Fig. 2 : PLATING SPECIFICATION (40:1)



OTHERS : Ni 1µm MIN. + Au FLASH

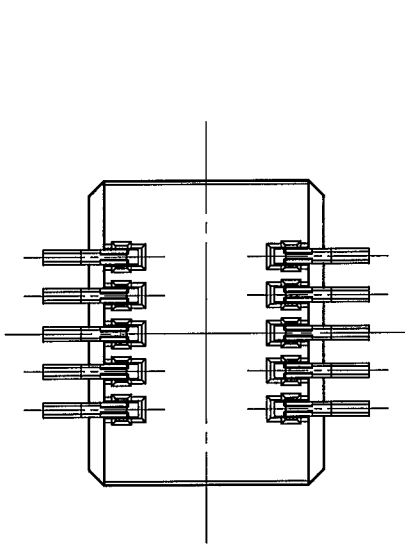


Fig. 3 : A-A CROSS SECTION VIEW

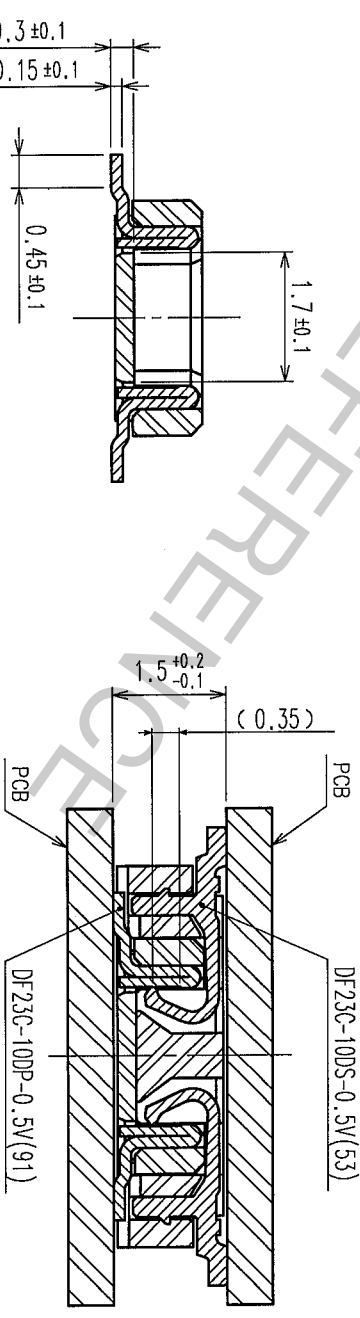


Fig. 4 : MATING VIEW

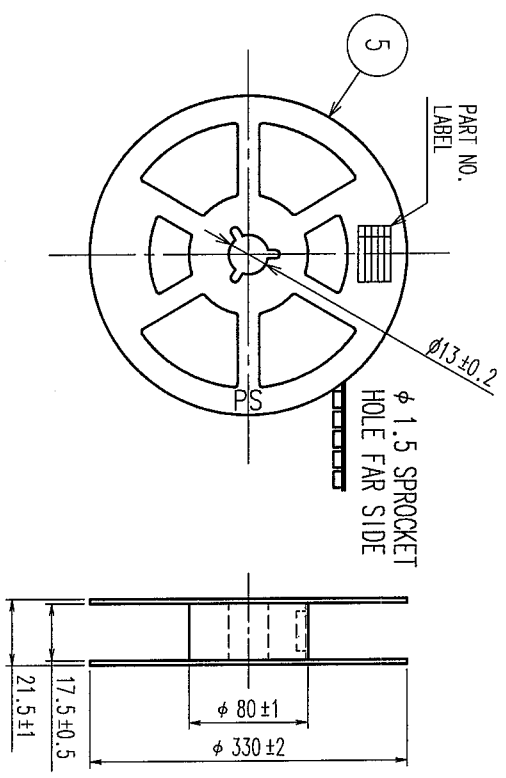
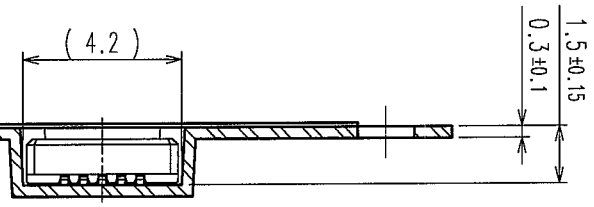
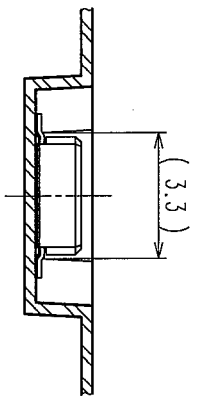
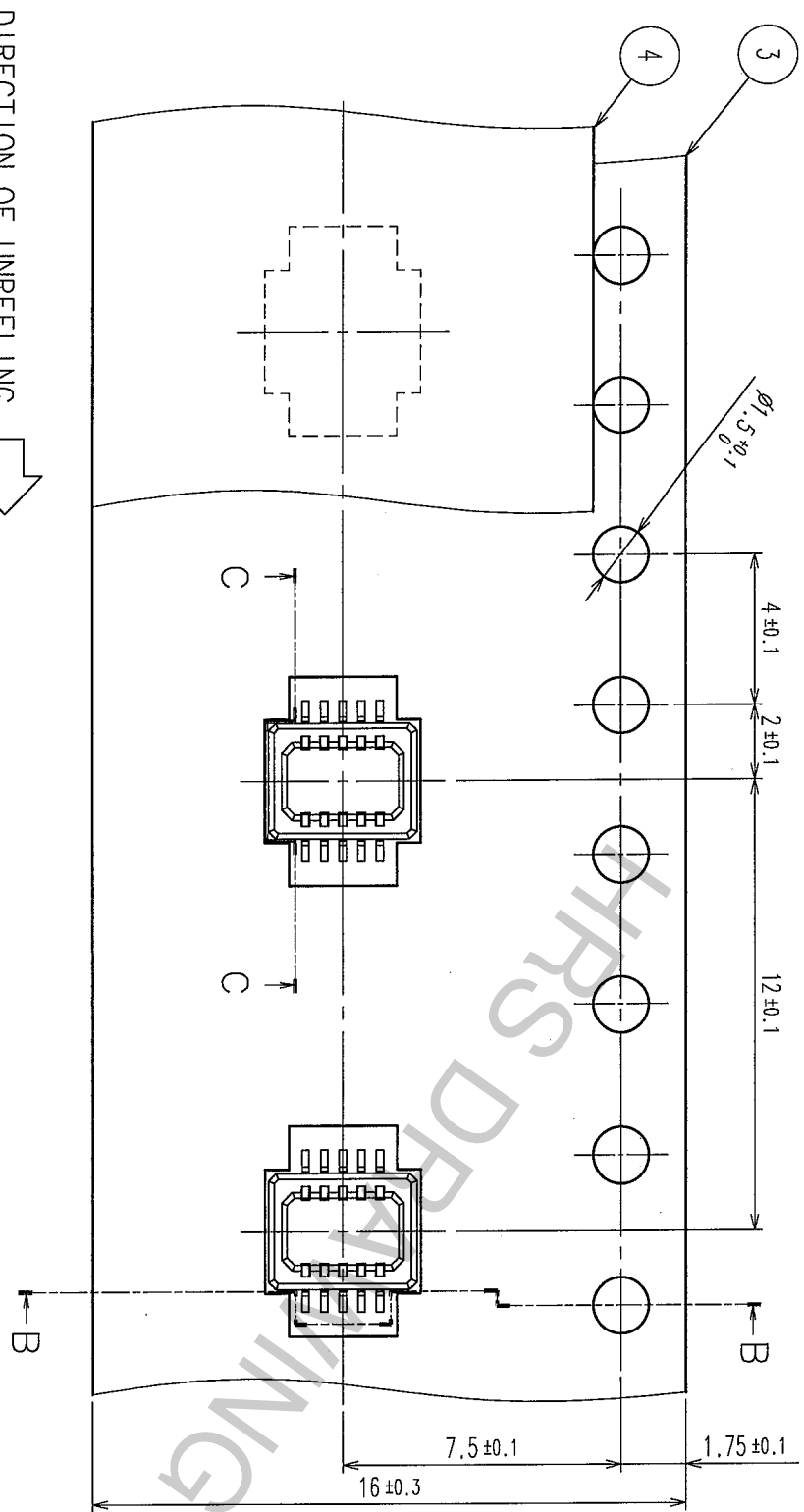
NOTES 1 LEAD CO-PLANARITY SHALL BE 0.1mm MAX.
 2 WHEN A PART MARKED WITH HAS A PATTERN BUT NO RESIST ON IT, TAKE CARE TO PREVENT THE CONNECTOR FROM TOUCHING IT.

2	PHOSPHOR BRONZE	3	BLACK (PLASTIC REEL)
1	LCP	4	POLYESTER
NO. MATERIAL		FINISH, REMARKS	
CODE NO. (OLD)		FINISH, REMARKS	
DRAWN		DESIGNED	
CHECKED		APPROVED	
RELEASED			
DRAWN		DESIGNED	
CHECKED		APPROVED	
RELEASED			

DRAWING NO.	EDC3-164008-11	PART NO.	DF23C-100P-0.5V(91)
SCALE	10 : 1	CODE NO.	CL688-0806-1-91
UNITS	MM		

TO	

COUNT	DESCRIPTION OF REVISIONS	BY	CHKD	DATE	COUNT	DESCRIPTION OF REVISIONS	BY	CHKD	DATE



△ Fig.6 : REEL DIMENSIONS (FREE)

6 > DETAIL OF PART NO. LABEL

DATE OF MANUFACTURED	*** ** *
CODE NO.	CL688-0806-1-91
PART NO.	DF23C-10DP-0.5V(91)
QUANTITY	3000
SUPPLIER	HIROSE ELECTRIC CO., LTD.

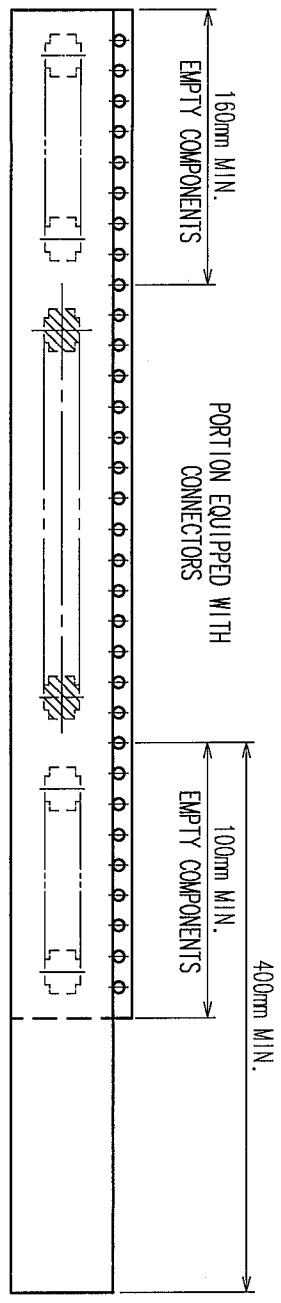
NOTES

3 PER REEL 3000 CONNECTORS

4 THE DIMENSIONS IN PARENTHESSES ARE FOR REFERENCE

5 > REFER TO JIS C 0806 (PACKAGING OF COMPONENTS FOR AUTOMATIC HANDLING)

6 > DETAIL OF PART NO. LABEL IS WRITTEN IN JAPANESE.



5 > Fig.5 : TAPING

CODE NO. (OLD)	DRAWING NO.	PART NO.	CODE NO.
	EDC3-164008-11	DF23C-10DP-0.5V(91)	CL688-0806-1-91
DRAWN	DESIGNED	CHECKED	APPROVED
T.Yamamoto	T.Yamamoto	K.Akiyama	K.Akiyama
'03. 5. 8	'03. 5. 8	'03. 5. 8	'03. 5. 8
RELEASED			

TO	