



Chipsmall Limited consists of a professional team with an average of over 10 year of expertise in the distribution of electronic components. Based in Hongkong, we have already established firm and mutual-benefit business relationships with customers from,Europe,America and south Asia,supplying obsolete and hard-to-find components to meet their specific needs.

With the principle of “Quality Parts,Customers Priority,Honest Operation,and Considerate Service”,our business mainly focus on the distribution of electronic components. Line cards we deal with include Microchip,ALPS,ROHM,Xilinx,Pulse,ON,Everlight and Freescale. Main products comprise IC,Modules,Potentiometer,IC Socket,Relay,Connector.Our parts cover such applications as commercial,industrial, and automotives areas.

We are looking forward to setting up business relationship with you and hope to provide you with the best service and solution. Let us make a better world for our industry!



Contact us

Tel: +86-755-8981 8866 Fax: +86-755-8427 6832

Email & Skype: info@chipsmall.com Web: www.chipsmall.com

Address: A1208, Overseas Decoration Building, #122 Zhenhua RD., Futian, Shenzhen, China



COUNT	DESCRIPTION OF REVISIONS	BY	CHKD	DATE	COUNT	DESCRIPTION OF REVISIONS	BY	CHKD	DATE

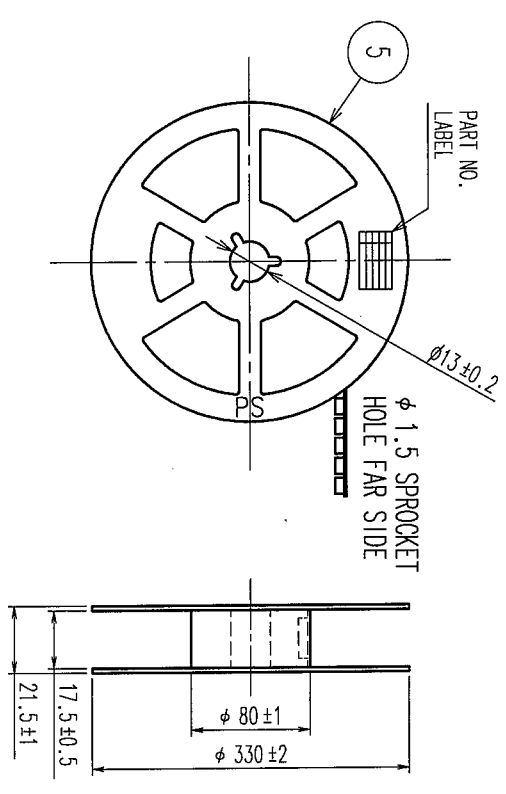
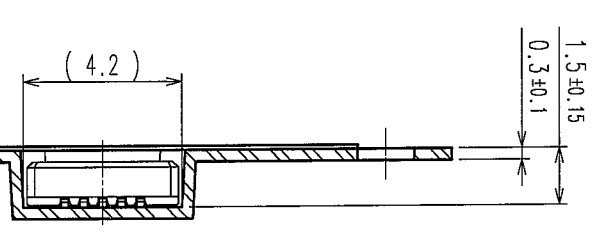
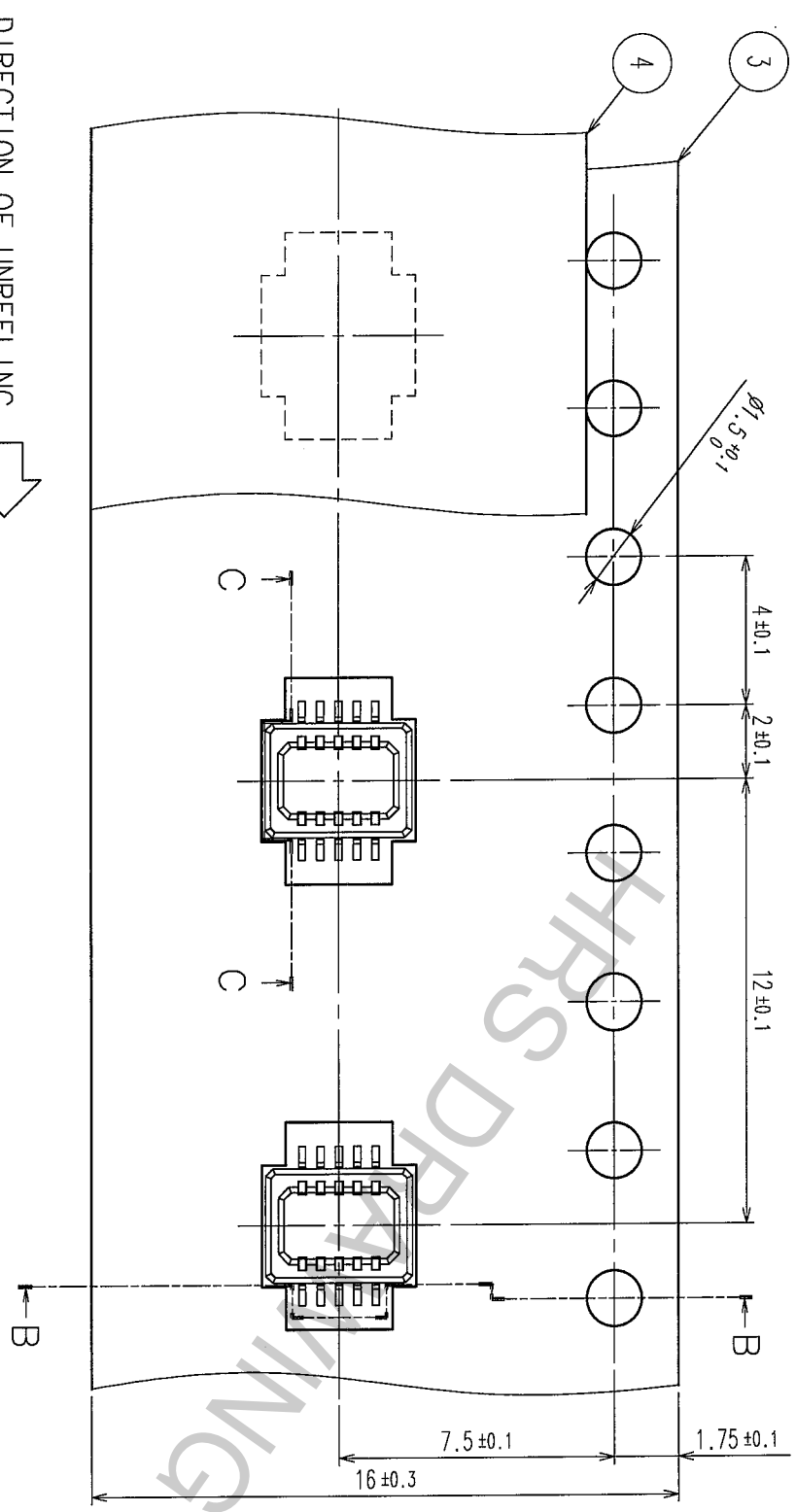
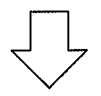
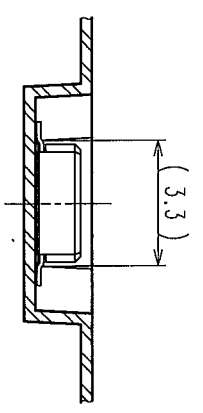


Fig. 6 : REEL DIMENSIONS (FREE)

DIRECTION OF UNREELLING



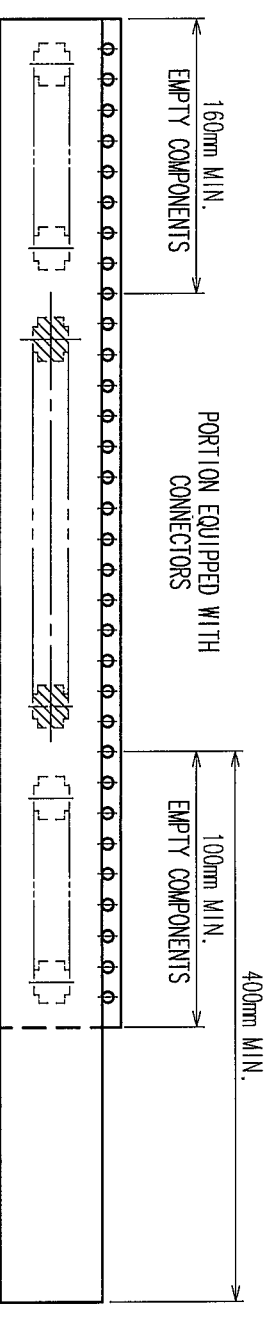
C-C



6 DETAIL OF PART NO. LABEL

DATE OF MANUFACTURED	*****
CODE NO.	CL688-0806-1-92
PART NO.	DF23C-10DP-0.5V(92)
QUANTITY	2000
SUPPLIER	HIROSE ELECTRIC CO., LTD.

NOTES
 3 PER REEL 2000 CONNECTORS
 4 THE DIMENSIONS IN PARENTHESES ARE FOR REFERENCE
 5 REFER TO JIS C 0806 (PACKAGING OF COMPONENTS FOR AUTOMATIC HANDLING)
 6 DETAIL OF PART NO. LABEL IS WRITTEN IN JAPANESE.



5 Fig. 5 : TAPING

TRAILER

LEADER

CODE NO. (OLD)	DRAWING NO. EDC3-164008-05		CODE NO.	CL688-0806-1-92
DRAWN	DESIGNED	CHECKED	APPROVED	RELEASED
N. Sato	T. Yamada	T. Yamaguchi	K. Akeda	
'07.08.27	'07.08.27	'07.08.27	'07.08.27	
SCALE 5 : 1	PART NO. DF23C-10DP-0.5V(92)			
UNITS MM	HIROSE ELECTRIC CO., LTD.			

