



Chipsmall Limited consists of a professional team with an average of over 10 year of expertise in the distribution of electronic components. Based in Hongkong, we have already established firm and mutual-benefit business relationships with customers from,Europe,America and south Asia,supplying obsolete and hard-to-find components to meet their specific needs.

With the principle of “Quality Parts,Customers Priority,Honest Operation,and Considerate Service”,our business mainly focus on the distribution of electronic components. Line cards we deal with include Microchip,ALPS,ROHM,Xilinx,Pulse,ON,Everlight and Freescale. Main products comprise IC,Modules,Potentiometer,IC Socket,Relay,Connector.Our parts cover such applications as commercial,industrial, and automotives areas.

We are looking forward to setting up business relationship with you and hope to provide you with the best service and solution. Let us make a better world for our industry!



## Contact us

Tel: +86-755-8981 8866 Fax: +86-755-8427 6832

Email & Skype: info@chipsmall.com Web: www.chipsmall.com

Address: A1208, Overseas Decoration Building, #122 Zhenhua RD., Futian, Shenzhen, China



COUNT	DESCRIPTION OF REVISIONS	BY	CHKD	DATE	COUNT	DESCRIPTION OF REVISIONS	BY	CHKD	DATE

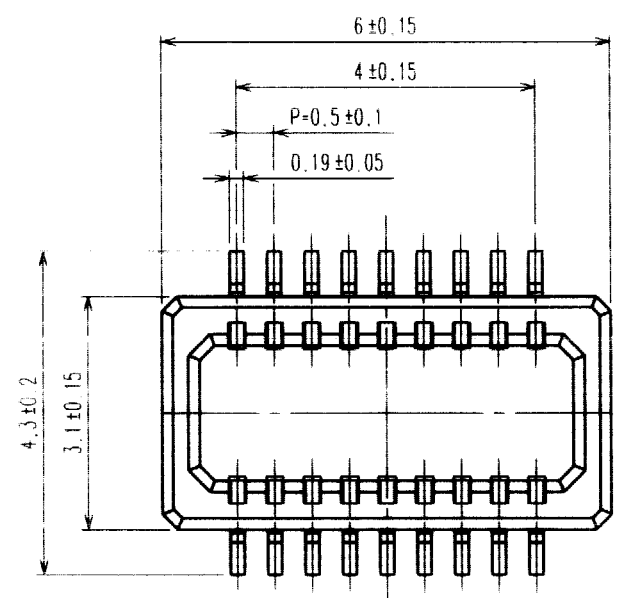


Fig.1 : RECOMMENDED PATTERN

Fig.2 : PLATING SPECIFICATION (40:1)

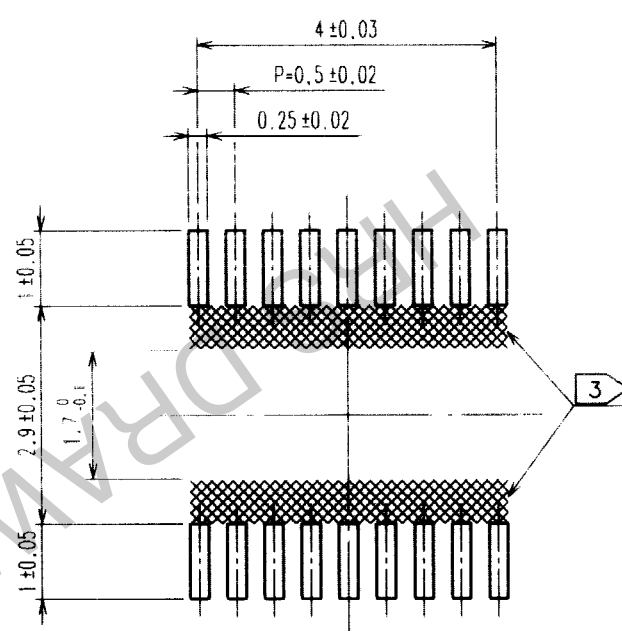


Fig.3 : A-A CROSS SECTION VIEW

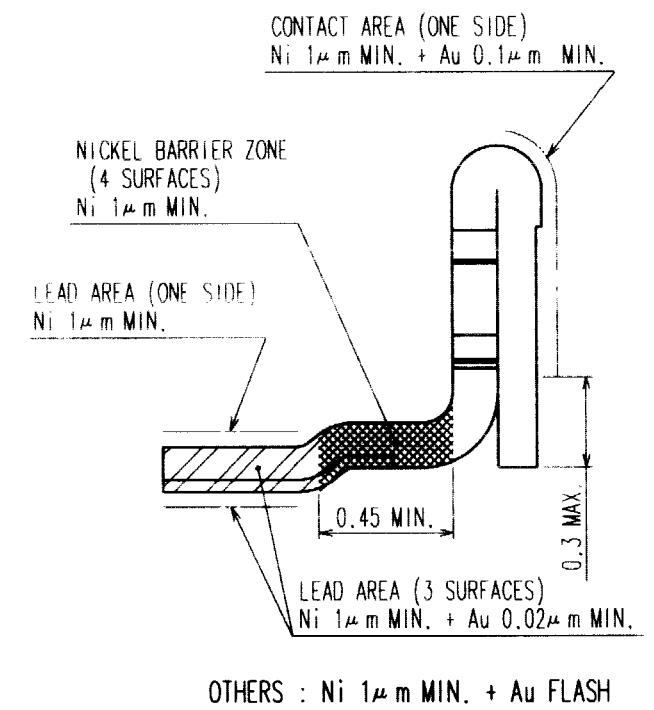
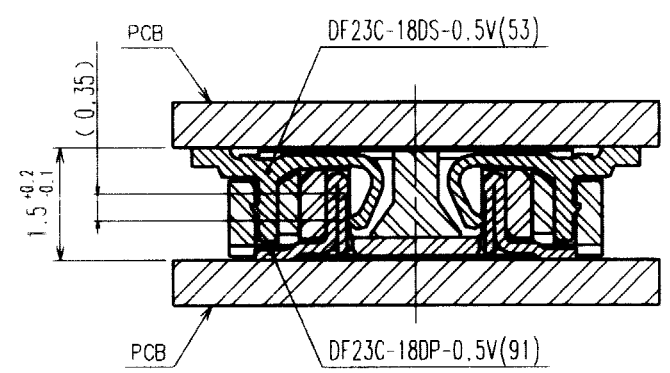
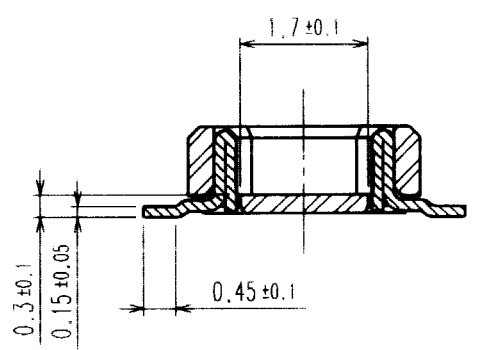
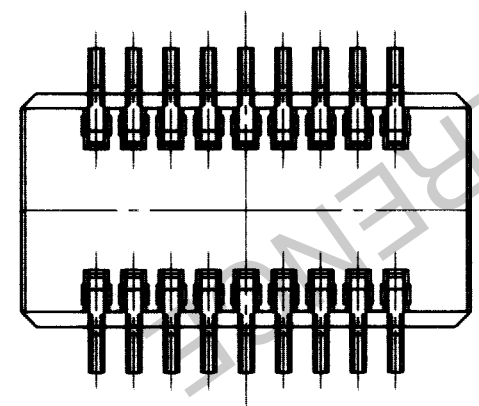
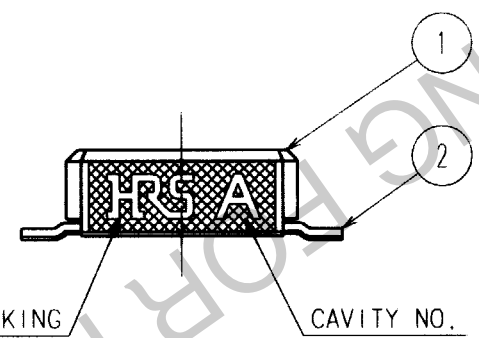
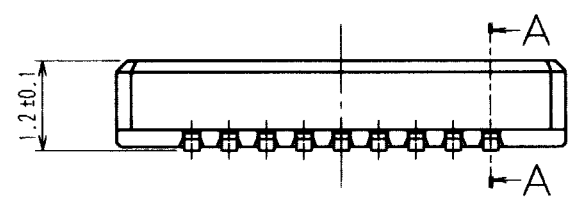


Fig.4 : MATING VIEW



NOTES 1 LEAD CO-PLANARITY SHALL BE 0.1mm MAX.  
 2 REFER TO Fig.2  
 3 WHEN A PART MARKED WITH HAS A PATTERN BUT NO RESIST ON IT, TAKE CARE TO PREVENT THE CONNECTOR FROM TOUCHING IT.

TO

2	PHOSPHOR BRONZE	2	POLYESTER	CLEAR		
1	LCP	BLACK, UL94V-0	3	PS	CLEAR	
NO.	MATERIAL	FINISH, REMARKS	NO.	MATERIAL	FINISH, REMARKS	
CODE NO. (OLD)		DRAWN	DESIGNED	CHECKED	APPROVED	RELEASED
		T. Yamamoto	T. Yamamoto	K. Akiyama	K. Akiyama	
		'03.10.1	'03.10.2	'03.10.2	'03.10.2	
DRAWING NO. EDC3-164161-05			PART NO. DF23C-18DP-0.5V(91)			
SCALE 10 : 1			CODE NO. CL688-0808-7-91			
UNITS mm			1/2			
HRS HIROSE ELECTRIC CO., LTD						

1 2 3 4 5 6 7 8

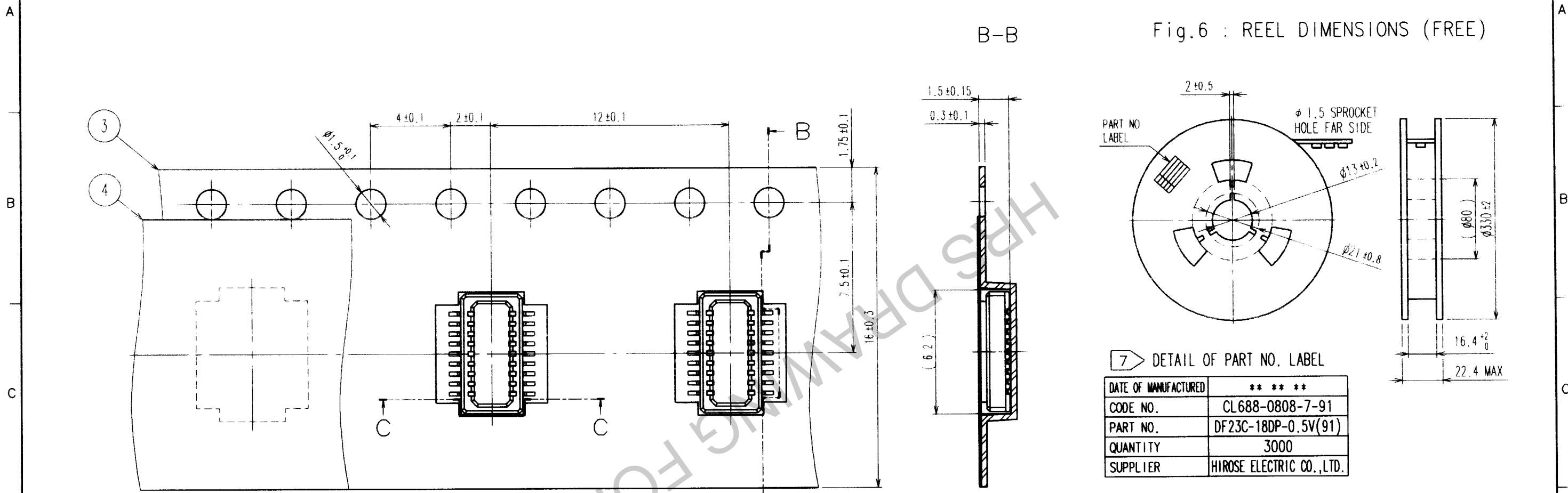


Fig.6 : REEL DIMENSIONS (FREE)

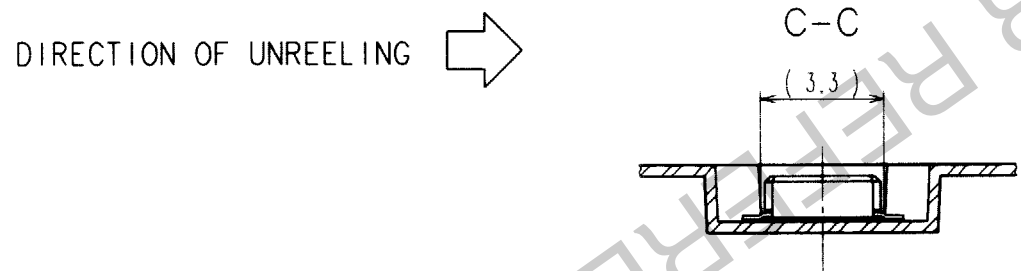
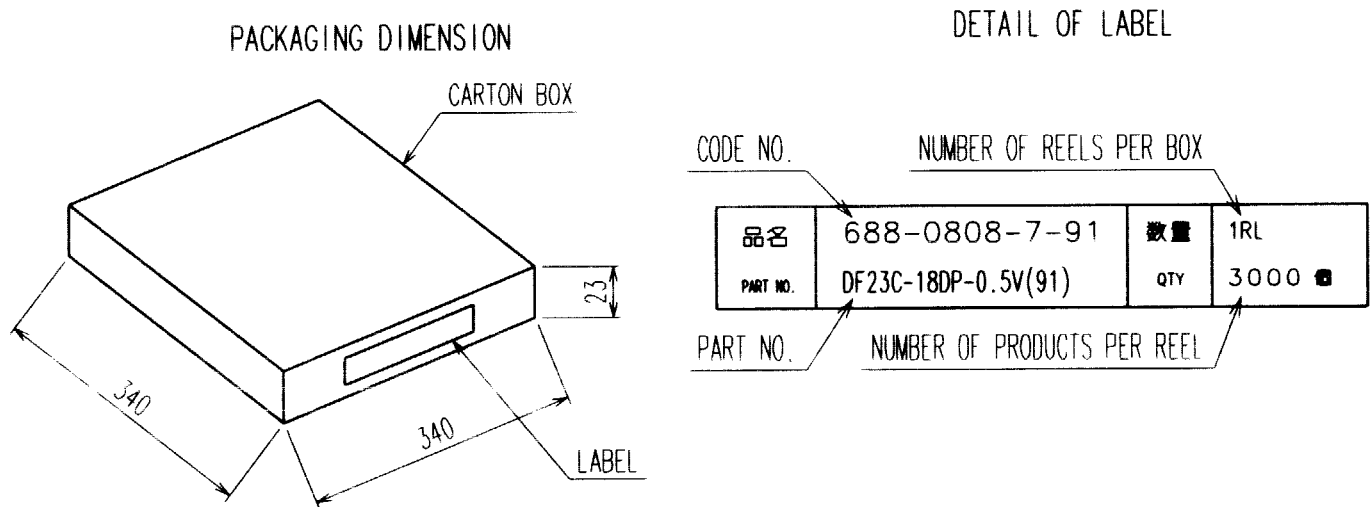


Fig.5 : TAPING (FREE)

Fig.7 : PACKAGING SPECIFICATION (FREE)



- NOTES
- 4 PER REEL 3000 CONNECTORS
  - 5 THE DIMENSIONS IN PARENTHESES ARE FOR REFERENCE.
  - 6 REFER TO JIS C 0806 (PACKAGING OF COMPONENTS FOR AUTOMATIC HANDLING)
  - 7 DETAIL OF PART NO. LABEL IS WRITTEN IN JAPANESE.

CODE NO. (OLD)	DRAWN	DESIGNED	CHECKED	APPROVED	RELEASED
	T.Yamamoto	T.Yamamoto	K.Hayama	K.Hayama	
	'03.10.1	'03.10.2	'03.10.2	'03.10.2	
SCALE	DRAWING NO.		PART NO.		
5 : 1	EDC3-164161-05		DF23C-18DP-0.5V(91)		
UNITS	HIROSE ELECTRIC CO., LTD		CODE NO.		
mm	HRS		CL688-0808-7-91		

TO