



Chipsmall Limited consists of a professional team with an average of over 10 year of expertise in the distribution of electronic components. Based in Hongkong, we have already established firm and mutual-benefit business relationships with customers from,Europe,America and south Asia,supplying obsolete and hard-to-find components to meet their specific needs.

With the principle of “Quality Parts,Customers Priority,Honest Operation,and Considerate Service”,our business mainly focus on the distribution of electronic components. Line cards we deal with include Microchip,ALPS,ROHM,Xilinx,Pulse,ON,Everlight and Freescale. Main products comprise IC,Modules,Potentiometer,IC Socket,Relay,Connector.Our parts cover such applications as commercial,industrial, and automotives areas.

We are looking forward to setting up business relationship with you and hope to provide you with the best service and solution. Let us make a better world for our industry!



## Contact us

Tel: +86-755-8981 8866 Fax: +86-755-8427 6832

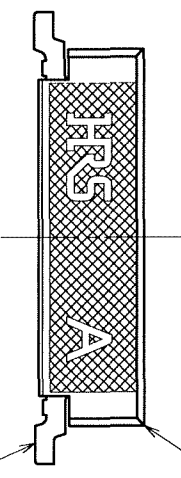
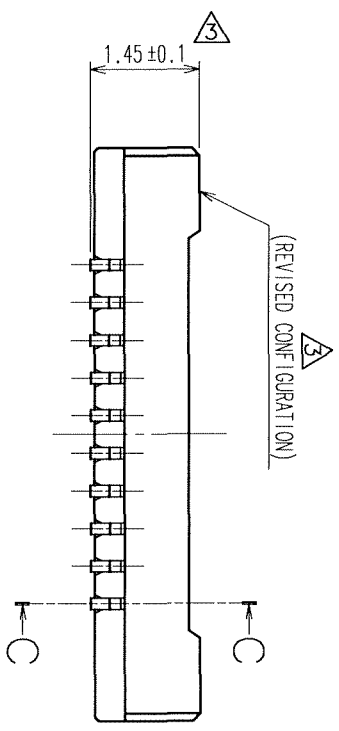
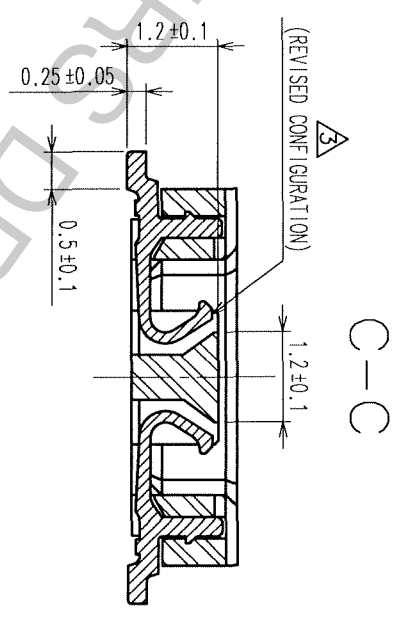
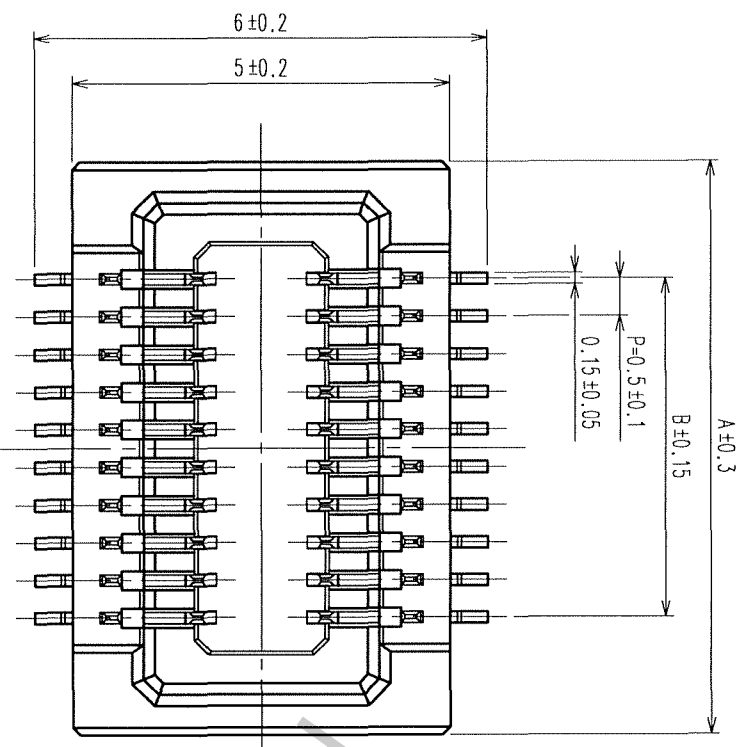
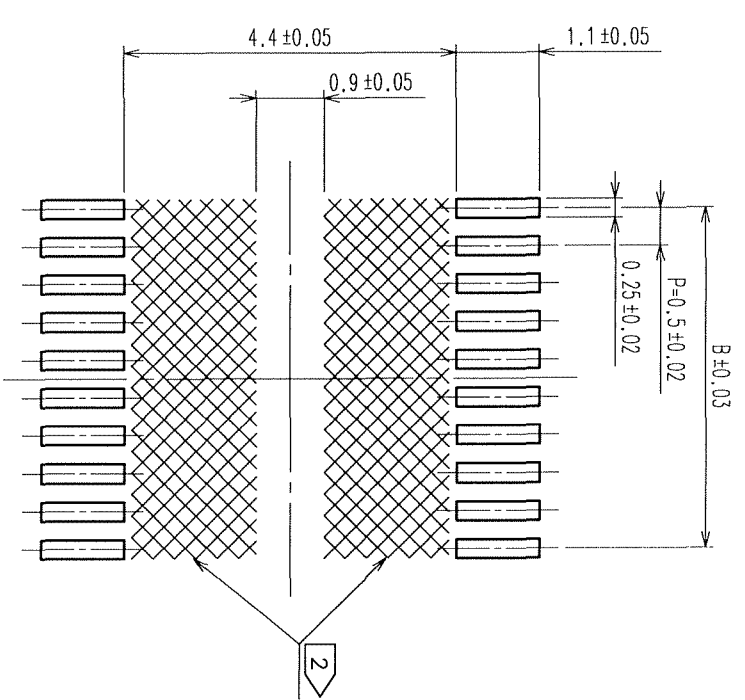
Email & Skype: info@chipsmall.com Web: www.chipsmall.com

Address: A1208, Overseas Decoration Building, #122 Zhenhua RD., Futian, Shenzhen, China



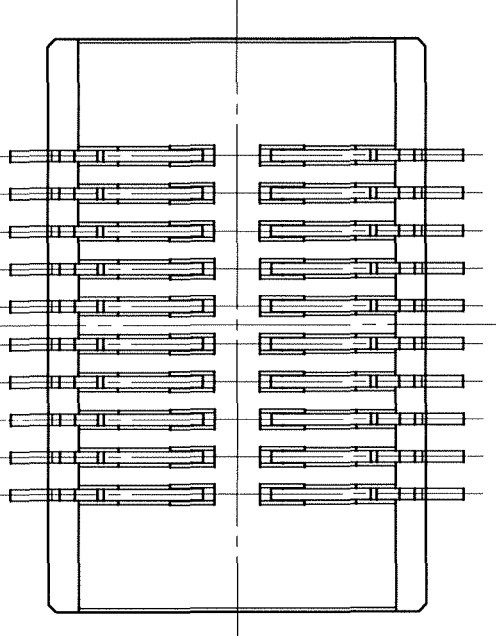
COUNT	DESCRIPTION OF REVISIONS	BY	CHKD	DATE	COUNT	DESCRIPTION OF REVISIONS	BY	CHKD	DATE
2	RE-H-04037	T.GK.	A001128		2	DIS-H-002654	A.T.	RM	07.12.06
1	RE-H-04269	T.GI.	T010316						
6	RE-H-04872	T.GK.	A020213						

RECOMMENDED PATTERN



PART NO.	CODE NO.	NUMBER OF CONTACT	A	B
DF23C-10DS-0.5V(51)	CL688-0306-9-51	10	5.1	2.0
DF23C-14DS-0.5V(51)	CL688-0300-2-51	14	6.1	3.0
DF23C-16DS-0.5V(51)	CL688-0307-1-51	16	6.6	3.5
DF23C-20DS-0.5V(51)	CL688-0301-5-51	20	7.6	4.5
DF23C-30DS-0.5V(51)	CL688-0302-8-51	30	10.1	7.0
DF23C-40DS-0.5V(51)	CL688-0303-0-51	40	12.6	9.5
DF23C-50DS-0.5V(51)	CL688-0304-3-51	50	15.1	12.0
DF23C-60DS-0.5V(51)	CL688-0305-6-51	60	17.6	14.5

NOTES1 : LEAD CO-PLANARITY SHALL BE 0.1 mm MAX.  
 2 : WHEN A PART MARKED WITH HAS A PATTERN BUT NO RESIST ON IT, TAKE CARE TO PREVENT THE CONNECTOR FROM TOUCHING IT.  
 3 : UNDER PLANNING.



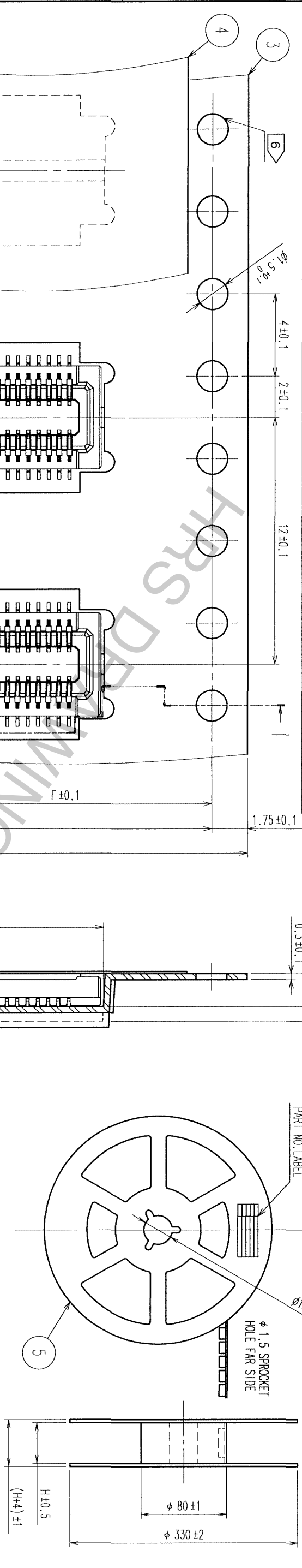
NO.	MATERIAL	FINISH, REMARKS	NO.	MATERIAL	FINISH, REMARKS
2	PHOSPHOR BRONZE	GOLD PLATED	5	PS	BLACK (PLASTIC REEL)
1	LCP	BLACK, UL94V-0	4	POLYESTER	CLEAR
			3	PS	CLEAR

DRAWING NO. EDC3-163543-01  
 SCALE 10 : 1  
 UNITS mm  
**HRS** HIROSE ELECTRIC CO., LTD.  
 DRAWN T. Goi  
 DESIGNED T. Goi  
 CHECKED K.Akiyama  
 APPROVED K.Katoyose  
 RELEASED  
 PART NO. DF23C-DS-0.5V(51)  
 CODE NO. CL688-

TO

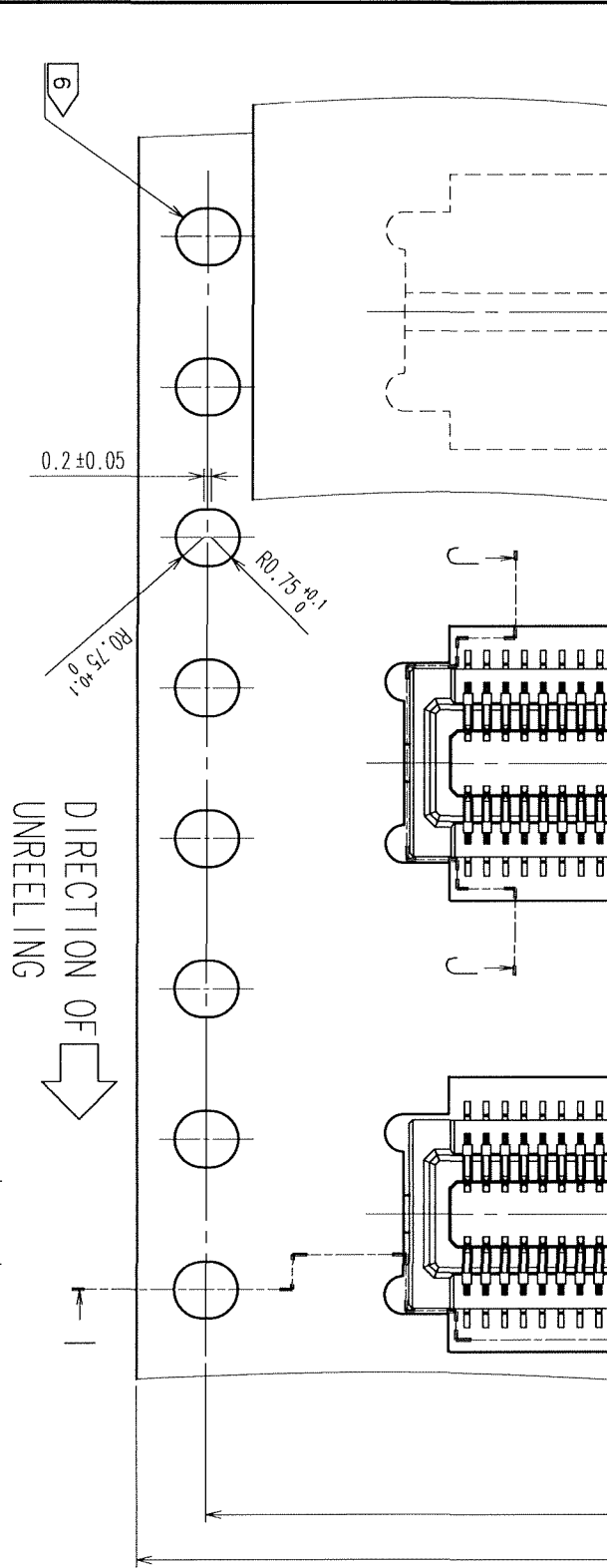
PART NO.	CODE NO.	NUMBER OF CONTACT	D	E	F	G	H
DF23C-10DS-0.5V(51)	CL688-0306-9-51	10	12.0	-	5.5	5.4	12.4
DF23C-14DS-0.5V(51)	CL688-0300-2-51	14	16.0	-	7.5	6.4	16.4
DF23C-16DS-0.5V(51)	CL688-0307-1-51	16	16.0	-	7.5	6.9	16.4
DF23C-20DS-0.5V(51)	CL688-0301-5-51	20	16.0	-	7.5	7.9	16.4
DF23C-30DS-0.5V(51)	CL688-0302-8-51	30	24.0	-	11.5	10.4	24.4
DF23C-40DS-0.5V(51)	CL688-0303-0-51	40	24.0	-	11.5	12.9	24.4
DF23C-50DS-0.5V(51)	CL688-0304-3-51	50	24.0	-	11.5	15.4	24.4
DF23C-60DS-0.5V(51)	CL688-0305-6-51	60	32.0	28.4	14.2	17.9	32.4

STYLE AND DIMENSION OF REEL (FREE)  $\Delta$



7 > DETAIL OF PART NO. LABEL

DATE OF MANUFACTURED	*****
CODE NO.	CL688-*****-51
PART NO.	DF23C-DS-0.5V(51)
QUANTITY	2000
SUPPLIER	HIROSE ELECTRIC CO., LTD.



DIRECTION OF UNREELING  $\rightarrow$

NOTE 4 : 1 REEL : 2000 CONNECTORS  
 $\Delta$  5 : AT THE BEGINNING OF REEL, 30 COMPONENTS ARE EMPTY.  
 AT THE END OF REEL, 20 COMPONENTS ARE EMPTY.  
 $\Delta$  6 : WHEN TAPE WIDTH IS 12 TO 24 mm, SPROCKET HOLES ARE PUNCHED IN UPPER SIDE OF REEL.  
 WHEN TAPE WIDTH IS 32 mm, SPROCKET HOLES ARE PUNCHED IN BOTH SIDE OF REEL AS SHOWN ON THIS DRAWING.  
 $\Delta$  7 : DETAIL OF PART NO. LABEL IS WRITTEN IN JAPANESE.

COUNT	DESCRIPTION OF REVISIONS	BY	CHKD	DATE	COUNT	DESCRIPTION OF REVISIONS	BY	CHKD	DATE

CODE NO. (OLD)	DRAWING NO.	PART NO.	DRAWN	DESIGNED	CHECKED	APPROVED	RELEASED
	EDC3-163543-01	DF23C-DS-0.5V(51)	T. Goi	T. Goi	K. Akijama	K. Katayose	
			'00.07.13	'00.07.13	'00.08.29	'00.08.29	

SCALE	5 : 1
UNITS	mm
DRAWING NO.	EDC3-163543-01
PART NO.	DF23C-DS-0.5V(51)
CODE NO.	CL688-
DATE	2

TO