



Chipsmall Limited consists of a professional team with an average of over 10 year of expertise in the distribution of electronic components. Based in Hongkong, we have already established firm and mutual-benefit business relationships with customers from,Europe,America and south Asia,supplying obsolete and hard-to-find components to meet their specific needs.

With the principle of “Quality Parts,Customers Priority,Honest Operation,and Considerate Service”,our business mainly focus on the distribution of electronic components. Line cards we deal with include Microchip,ALPS,ROHM,Xilinx,Pulse,ON,Everlight and Freescale. Main products comprise IC,Modules,Potentiometer,IC Socket,Relay,Connector.Our parts cover such applications as commercial,industrial, and automotives areas.

We are looking forward to setting up business relationship with you and hope to provide you with the best service and solution. Let us make a better world for our industry!



Contact us

Tel: +86-755-8981 8866 Fax: +86-755-8427 6832

Email & Skype: info@chipsmall.com Web: www.chipsmall.com

Address: A1208, Overseas Decoration Building, #122 Zhenhua RD., Futian, Shenzhen, China

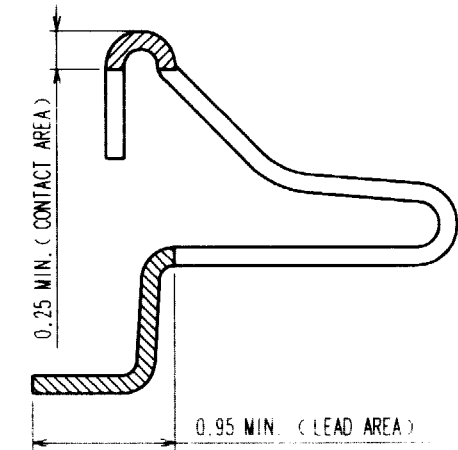
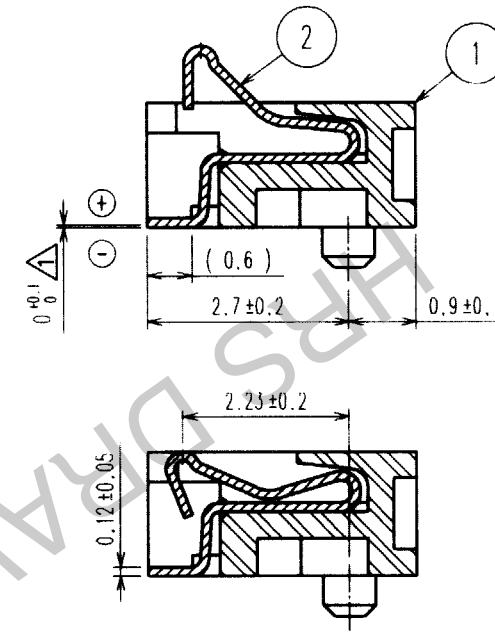


3 In case that the application demands a high level of reliability, such as automotive, please contact a company representative for further information.

COUNT	DESCRIPTION OF REVISIONS	BY	CHKD	DATE	COUNT	DESCRIPTION OF REVISIONS	BY	CHKD	DATE
5	RE-H-05647	A.H	K.A	'03. 6. 30					
1	RE-H-05903	T.Y	T.S	'03.11.13					

Fig.1 : A-A(10:1)

Fig.2 : PLATING SPECIFICATION (20:1)



CONTACT AREA : GOLD 0.5μm MIN.
LEAD AREA : GOLD 0.02μm MIN.
OTHERS(UNDER PLATING):NICKEL 1μm MIN.

GOLD PLATING IS ALLOWED TO THE OTHER SURFACE THAN LEAD AREA AND CONTACT AREA.

COMPRESSED TO 1.7mm HEIGHT(10:1)

Fig.3 : RECOMMENDED PATTERN FOR MOUNTING (5:1)

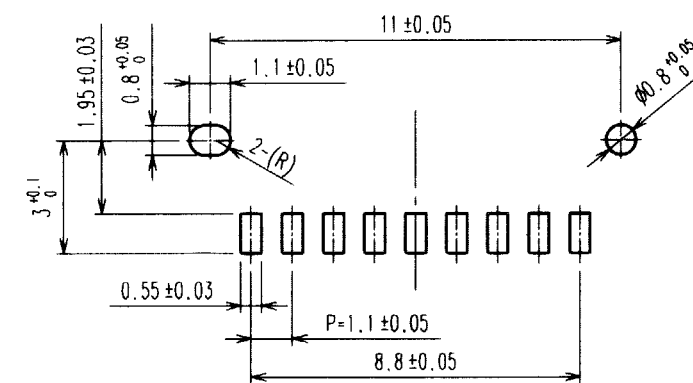
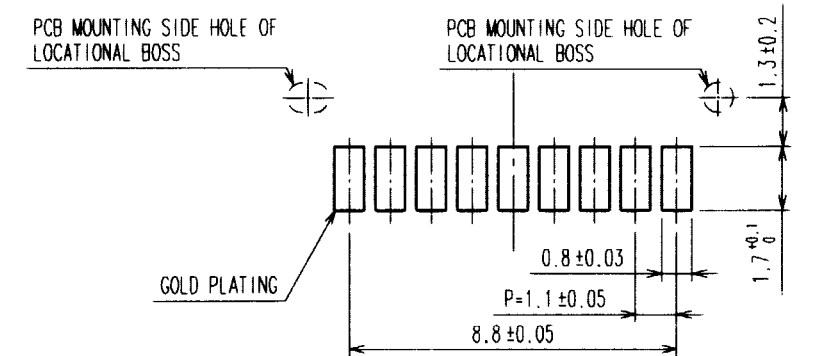


Fig.4 : RECOMMENDED PATTERN FOR MATING (5:1)



NO.	MATERIAL	FINISH, REMARKS	NO.	MATERIAL	FINISH, REMARKS
2	PHOSPHOR BRONZE	REFER TO Fig.2	4	POLYESTER	CLEAR(COVER TAPE)
1	LCP	BLACK, UL94V-0	3	PS	CLEAR(EMBOSSED CARRIER TAPE)

CODE NO. (OLD)	DRAWN	DESIGNED	CHECKED	APPROVED	RELEASED
	T.Yamamoto	T.Yamamoto	K.Akiyama	K.Katayose	
	'02.10. 3	'02.10. 3	'02.10. 4	'02.10. 4	

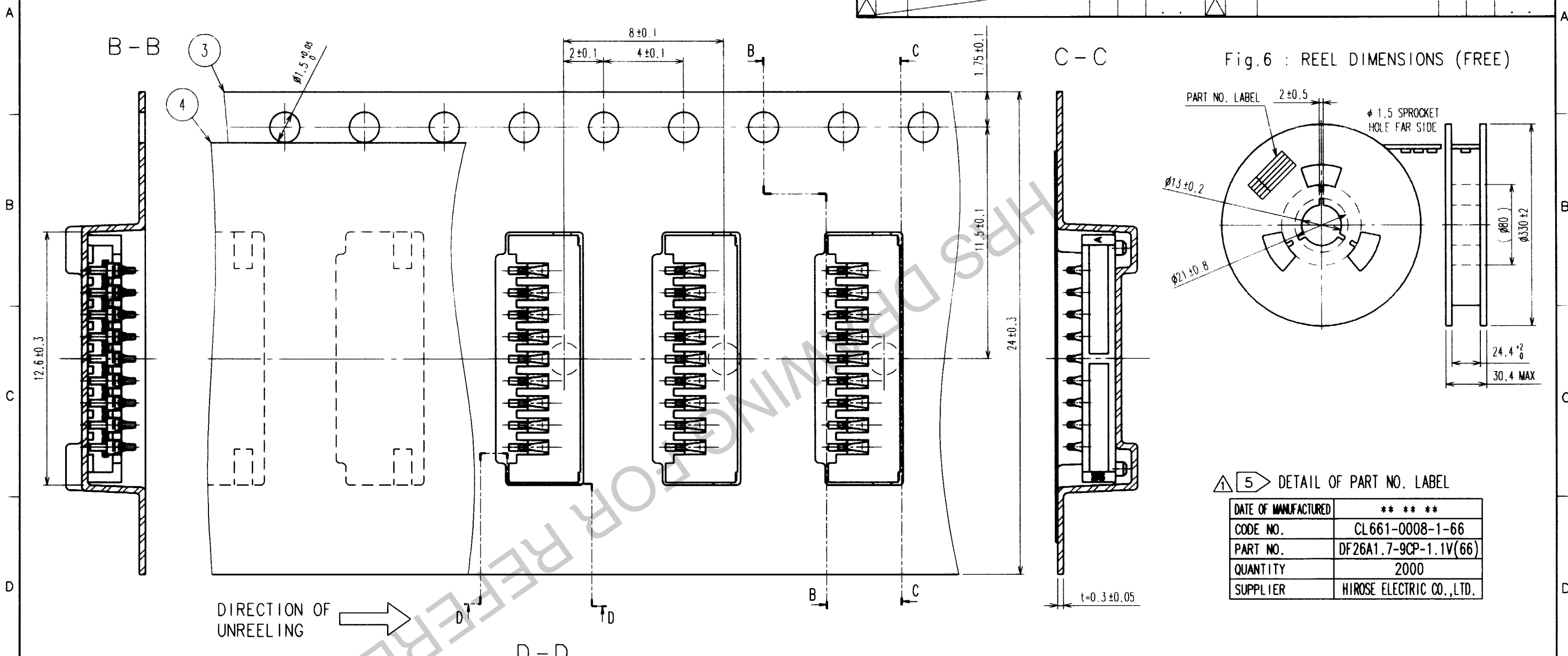
SCALE	DRAWING NO.	PART NO.
FREE	EDC3-164058-01	DF26A1.7-9CP-1.1V(66)
UNITS	HIROSE ELECTRIC CO., LTD	CODE NO.
(mm)		CL661-0008-1-66

NOTES 1. LEAD CO_PLANARITY SHALL BE WITHIN 0.1mm
2. THIS PRODUCT TO BE SHIPPED BY TAPE AND REEL PACKAGE.
REFER TO NEXT SHEET FOR DETAILS OF PACKAGING SPECIFICATIONS.

TO

3 In case that the application demands a high level of reliability, such as automotive, please contact a company representative for further information.

COUNT	DESCRIPTION OF REVISIONS	BY	CHKD	DATE	COUNT	DESCRIPTION OF REVISIONS	BY	CHKD	DATE

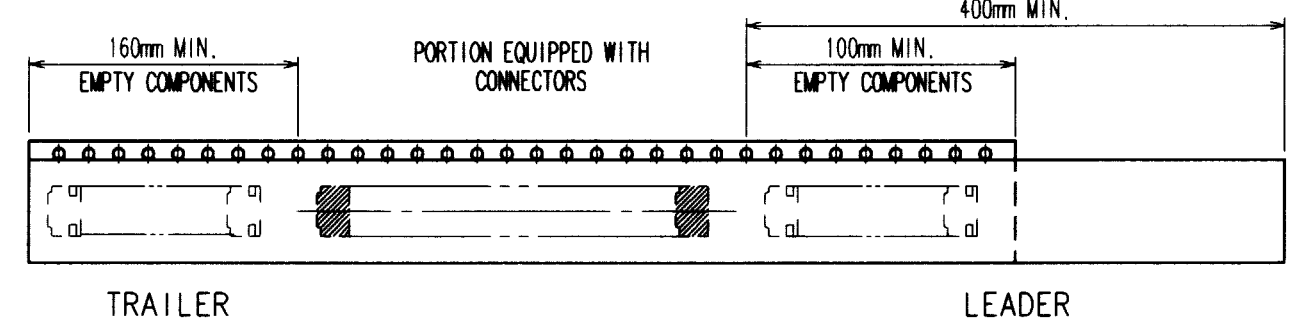


△5 DETAIL OF PART NO. LABEL

DATE OF MANUFACTURED	** * * *
CODE NO.	CL661-0008-1-66
PART NO.	DF26A1.7-9CP-1.1V(66)
QUANTITY	2000
SUPPLIER	HIROSE ELECTRIC CO.,LTD.

NOTES 3. PER REEL : 2000 CONNECTORS
 △4 REFER TO JIS C 0806
 (PACKAGING OF COMPONENTS FOR AUTOMATIC HANDLING)
 △5 DETAIL OF PART NO. LABEL IS WRITTEN IN JAPANESE.

△4 Fig.5 : TAPING(FREE)



CODE NO.(OLD)	DRAWN	DESIGNED	CHECKED	APPROVED	RELEASED
	T.Yamamoto	T.Yamamoto	K.Akiyama	K.Katayose	
	'02.10. 3	'02.10. 3	'02.10. 4	'02.10. 4	
SCALE	DRAWING NO.		PART NO.		
5 : 1	EDC3-164058-01		DF26A1.7-9CP-1.1V(66)		
UNITS	HIROSE ELECTRIC CO., LTD		CODE NO.		
mm	HRS		CL661-0008-1-66		

TO