



Chipsmall Limited consists of a professional team with an average of over 10 year of expertise in the distribution of electronic components. Based in Hongkong, we have already established firm and mutual-benefit business relationships with customers from,Europe,America and south Asia,supplying obsolete and hard-to-find components to meet their specific needs.

With the principle of "Quality Parts,Customers Priority,Honest Operation,and Considerate Service",our business mainly focus on the distribution of electronic components. Line cards we deal with include Microchip,ALPS,ROHM,Xilinx,Pulse,ON,Everlight and Freescale. Main products comprise IC,Modules,Potentiometer,IC Socket,Relay,Connector.Our parts cover such applications as commercial,industrial, and automotives areas.

We are looking forward to setting up business relationship with you and hope to provide you with the best service and solution. Let us make a better world for our industry!



Contact us

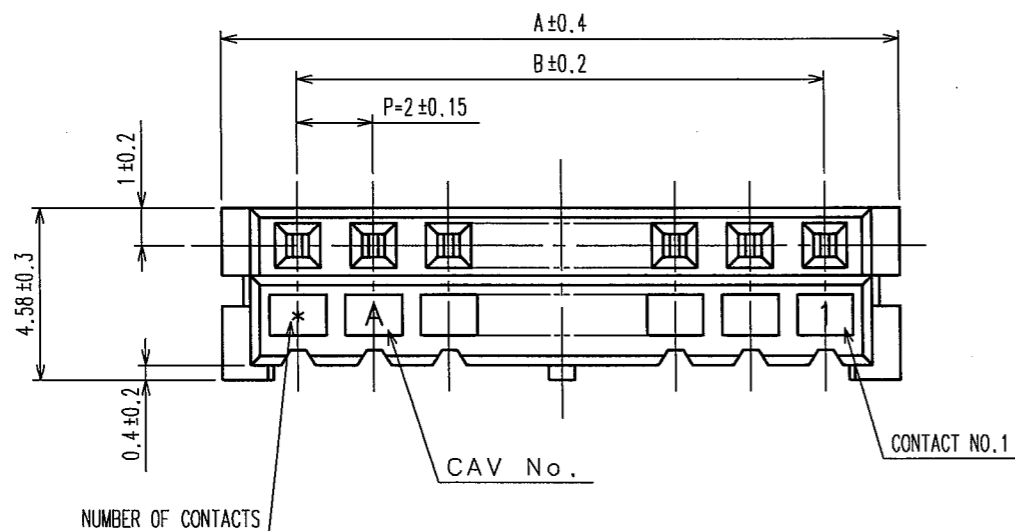
Tel: +86-755-8981 8866 Fax: +86-755-8427 6832

Email & Skype: info@chipsmall.com Web: www.chipsmall.com

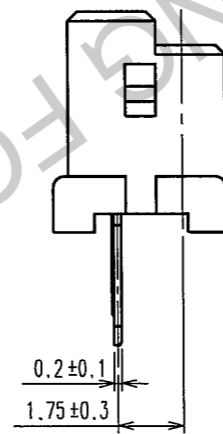
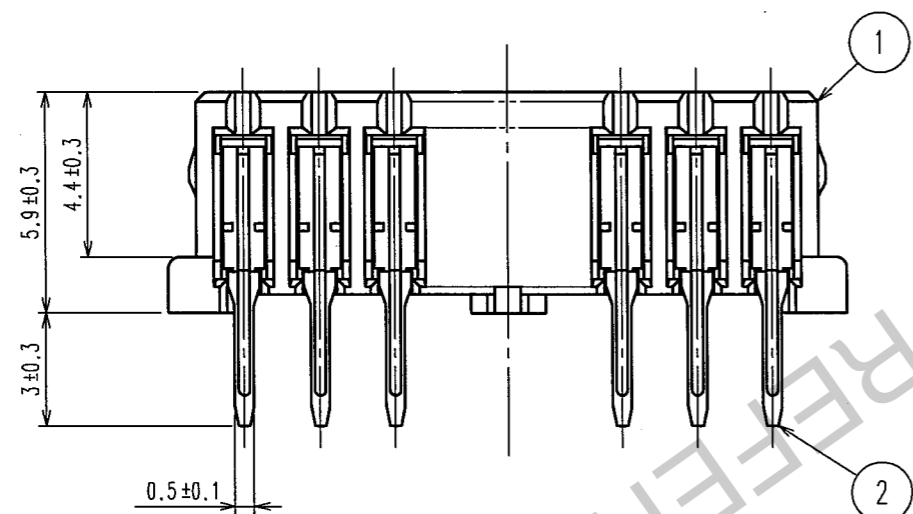
Address: A1208, Overseas Decoration Building, #122 Zhenhua RD., Futian, Shenzhen, China



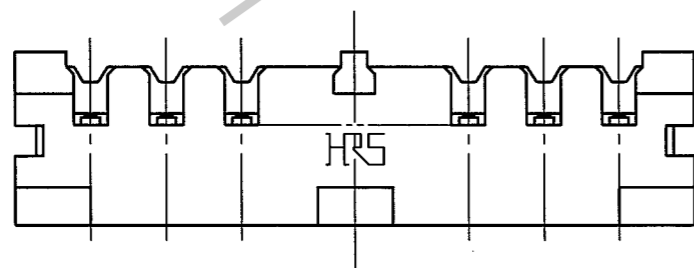
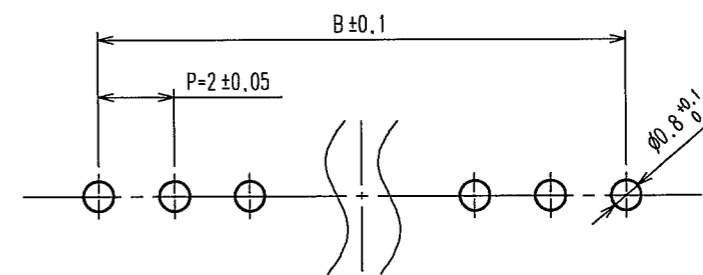
COUNT	DESCRIPTION OF REVISIONS	BY	CHKD	DATE	COUNT	DESCRIPTION OF REVISIONS	BY	CHKD	DATE
△				..	△				..
△				..	△				..
△				..	△				..



CODE NO.	PART NO.	NUMBER OF CONTACT	A	B
CL543-0048-6-55	DF3- 2S-2DSA(55)	2	6.0	2.0
CL543-0049-9-55	DF3- 3S-2DSA(55)	3	8.0	4.0
CL543-0050-8-55	DF3- 4S-2DSA(55)	4	10.0	6.0
CL543-0051-0-55	DF3- 5S-2DSA(55)	5	12.0	8.0
CL543-0052-3-55	DF3- 6S-2DSA(55)	6	14.0	10.0
CL543-0053-6-55	DF3- 7S-2DSA(55)	7	16.0	12.0
CL543-0054-9-55	DF3- 8S-2DSA(55)	8	18.0	14.0
CL543-0055-1-55	DF3- 9S-2DSA(55)	9	20.0	16.0
CL543-0056-4-55	DF3-10S-2DSA(55)	10	22.0	18.0
CL543-0057-7-55	DF3-11S-2DSA(55)	11	24.0	20.0
CL543-0058-0-55	DF3-12S-2DSA(55)	12	26.0	22.0
CL543-0059-2-55	DF3-13S-2DSA(55)	13	28.0	24.0
CL543-0060-1-55	DF3-14S-2DSA(55)	14	30.0	26.0
CL543-0061-4-55	DF3-15S-2DSA(55)	15	32.0	28.0



RECOMMENDED PATTERN

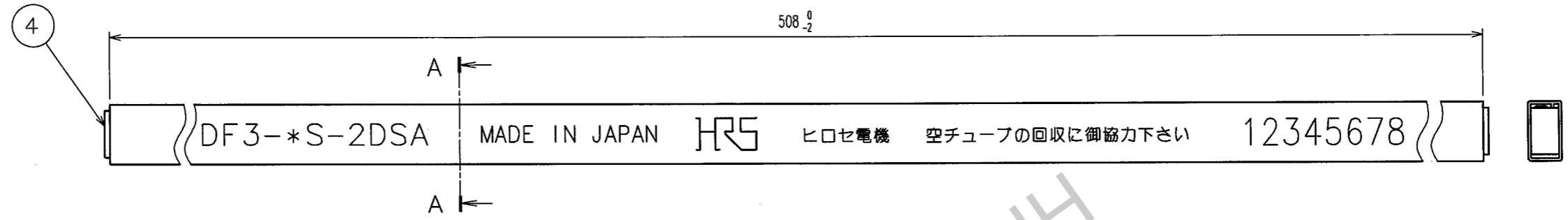


2	PHOSPHOR BRONZE	CONTACT AREA:GOLD PLATED 0.2μm min LEAD AREA:TIN PLATED 1μm min UNDER PLATING:NICKEL PLATED 1μm min	4	S.PVC	STOPPER
1	POLYAMIDE	UL94V-0(BLACK)	3	RIGID POLYVINYLCHLORIDE	ELECTROSTATIC PROTECTION, CLEAR
NO.	MATERIAL	FINISH, REMARKS	NO.	MATERIAL	FINISH, REMARKS

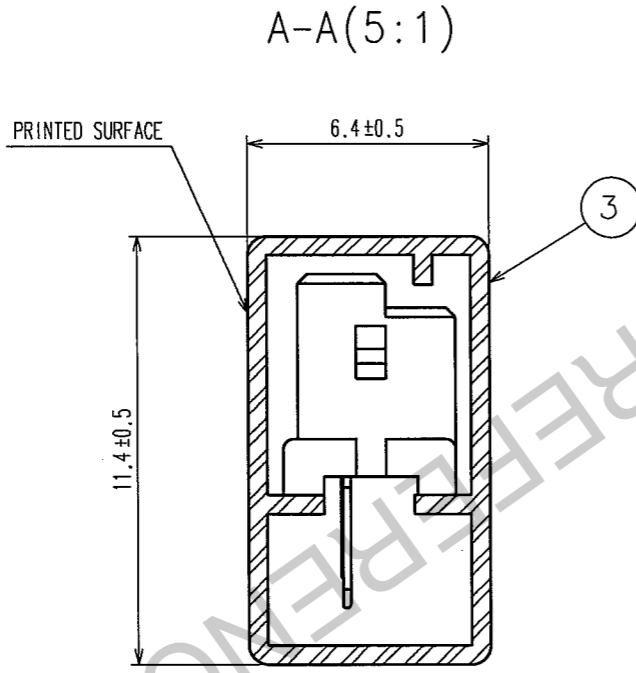
CODE NO. (OLD)	CL	DRAWN	DESIGNED	CHECKED	APPROVED	RELEASED
		M.Nakamoto	H.Umehara	T.Miyazaki	T.Owa	
		'04.03.24	04-03-24	04-03-24	04-03-25	

SCALE	5 : 1	DRAWING NO.	EDC3-162329-11	PART NO.	DF3-*S-2DSA(55)
UNITS	mm	HIROSE ELECTRIC CO., LTD		CODE NO.	CL543-

COUNT	DESCRIPTION OF REVISIONS	BY	CHKD	DATE	COUNT	DESCRIPTION OF REVISIONS	BY	CHKD	DATE
△					△				
△					△				
△					△				



NOTES
 1. NUMBER OF CONNECTERS PER A MAGAZINE CASE SHALL BE IN ACCORDANCE WITH THE LIST.
 2. THESE CONNECTERS SHALL BE ON SALED IN ACCORDANCE WITH THE MULTIPLE QUANTITY ON THE LIST.



CODE NO.	PART NO.	NUMBER OF CONNECTORS
CL543-0048-6-55	DF3- 2S-2DSA(55)	8 0
CL543-0049-9-55	DF3- 3S-2DSA(55)	6 0
CL543-0050-8-55	DF3- 4S-2DSA(55)	4 8
CL543-0051-0-55	DF3- 5S-2DSA(55)	4 0
CL543-0052-3-55	DF3- 6S-2DSA(55)	3 4
CL543-0053-6-55	DF3- 7S-2DSA(55)	3 0
CL543-0054-9-55	DF3- 8S-2DSA(55)	2 7
CL543-0055-1-55	DF3- 9S-2DSA(55)	2 4
CL543-0056-4-55	DF3-10S-2DSA(55)	2 1
CL543-0057-7-55	DF3-11S-2DSA(55)	2 0
CL543-0058-0-55	DF3-12S-2DSA(55)	1 8
CL543-0059-2-55	DF3-13S-2DSA(55)	1 7
CL543-0060-1-55	DF3-14S-2DSA(55)	1 6
CL543-0061-4-55	DF3-15S-2DSA(55)	1 5

NO.	MATERIAL	FINISH, REMARKS	NO.	MATERIAL	FINISH, REMARKS		
CODE NO. (OLD) CL			DRAWN	DESIGNED	CHECKED	APPROVED	RELEASED
			M. Nakamoto '04.03.24	H. Uehara '04.03.24	T. Miyajima '04.03.24	J. Ono '04.03.25	
SCALE FR:EE	DRAWING NO. EDC3-162329-11		PART NO. DF3-*S-2DSA(55)		CODE NO. CL543-		
UNITS mm	HRS HIROSE ELECTRIC CO., LTD				2		

TO

NC