



Chipsmall Limited consists of a professional team with an average of over 10 year of expertise in the distribution of electronic components. Based in Hongkong, we have already established firm and mutual-benefit business relationships with customers from,Europe,America and south Asia,supplying obsolete and hard-to-find components to meet their specific needs.

With the principle of “Quality Parts,Customers Priority,Honest Operation,and Considerate Service”,our business mainly focus on the distribution of electronic components. Line cards we deal with include Microchip,ALPS,ROHM,Xilinx,Pulse,ON,Everlight and Freescale. Main products comprise IC,Modules,Potentiometer,IC Socket,Relay,Connector.Our parts cover such applications as commercial,industrial, and automotives areas.

We are looking forward to setting up business relationship with you and hope to provide you with the best service and solution. Let us make a better world for our industry!



## Contact us

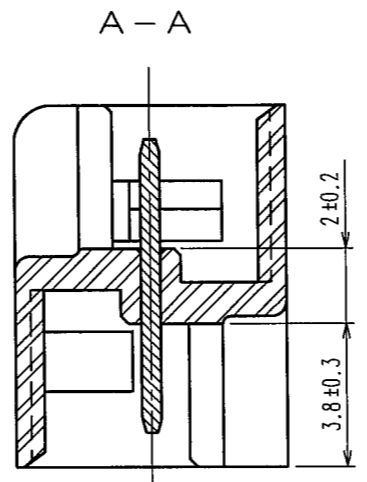
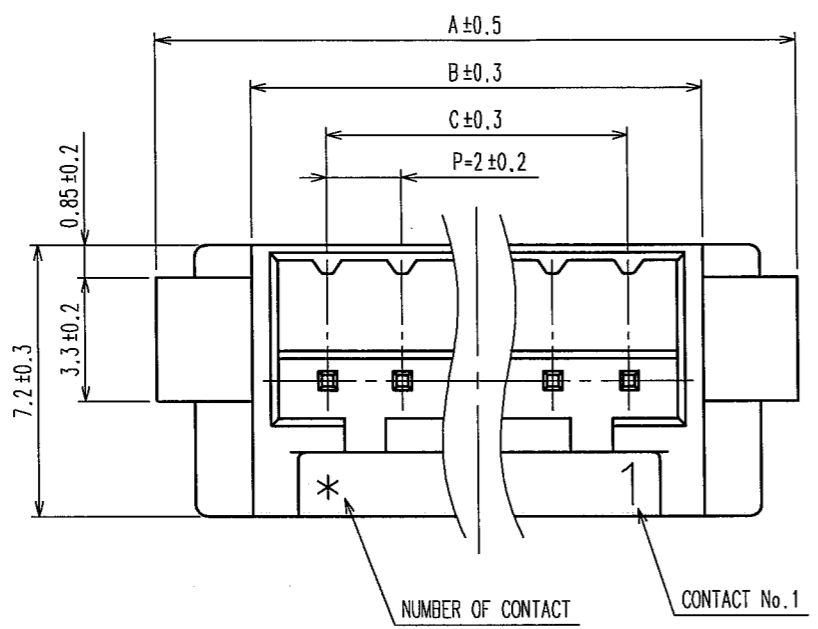
Tel: +86-755-8981 8866 Fax: +86-755-8427 6832

Email & Skype: info@chipsmall.com Web: www.chipsmall.com

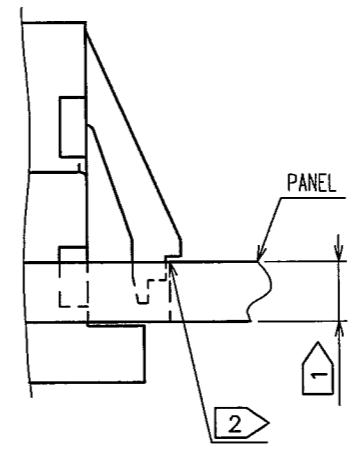
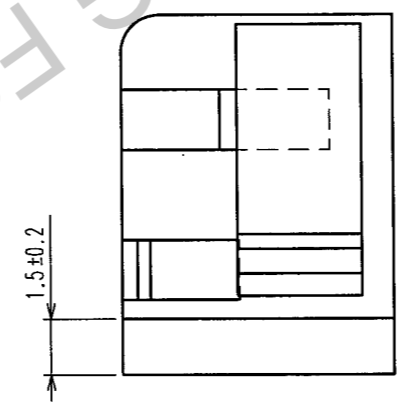
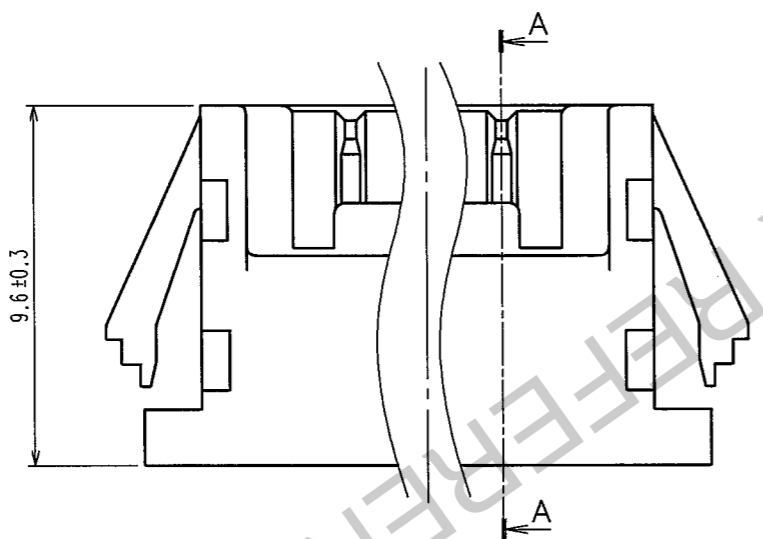
Address: A1208, Overseas Decoration Building, #122 Zhenhua RD., Futian, Shenzhen, China



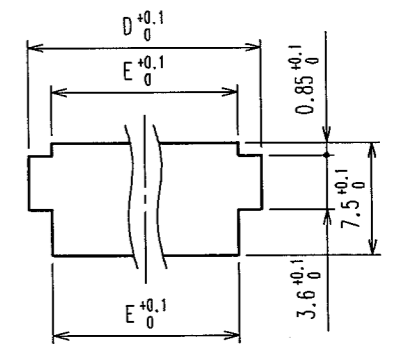
COUNT	DESCRIPTION OF REVISIONS	BY	CHKD	DATE	COUNT	DESCRIPTION OF REVISIONS	BY	CHKD	DATE
△				..	△				..
△				..	△				..
△				..	△				..



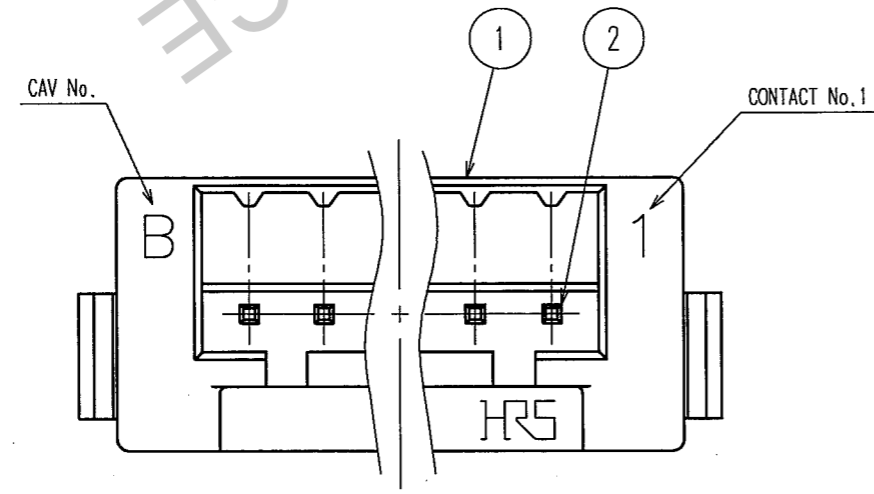
CODE No.	PART No.	CONTACTS	A	B	C	D	E
CL543-0267-0	DF3- 2EP-2A	2	11	6	2	9.4	6.3
CL543-0268-2	DF3- 3EP-2A	3	13	8	4	11.4	8.3
CL543-0269-5	DF3- 4EP-2A	4	15	10	6	13.4	10.3
CL543-0270-4	DF3- 5EP-2A	5	17	12	8	15.4	12.3
CL543-0271-7	DF3- 6EP-2A	6	19	14	10	17.4	14.3
CL543-0272-0	DF3- 7EP-2A	7	21	16	12	19.4	16.3
CL543-0273-2	DF3- 8EP-2A	8	23	18	14	21.4	18.3
CL543-0274-5	DF3- 9EP-2A	9	25	20	16	23.4	20.3
CL543-0275-8	DF3-10EP-2A	10	27	22	18	25.4	22.3
CL543-0276-0	DF3-11EP-2A	11	29	24	20	27.4	24.3
CL543-0277-3	DF3-12EP-2A	12	31	26	22	29.4	26.3
CL543-0278-6	DF3-13EP-2A	13	33	28	24	31.4	28.3
CL543-0279-9	DF3-14EP-2A	14	35	30	26	33.4	30.3
CL543-0280-8	DF3-15EP-2A	15	37	32	28	35.4	32.3



PANEL CUTOUT DIMENSIONS(2:1)



NOTE 1) APPLICABLE PANEL THICKNESS : 1.6~0.8mm  
 (NOTE THAT SOME LOOSENESS IS UNAVOIDABLE WHEN THE PLUGS ARE MOUNTED ON A PANEL OF OTHER THAN 1.6 OR 2.2mm THICKNESS.)  
 2) USE THE SHARP EDGE FOR ENGAGEMENT WITH THE PANEL.



1	POLYAMIDE	UL94V-0, BLACK	2	BRASS	SURFACE: TIN PLATING 1μm min UNDER PLATING: NICKEL PLATED 0.5μm min
NO.	MATERIAL	FINISH, REMARKS	NO.	MATERIAL	FINISH, REMARKS
CODE NO. (OLD) CL		DRAWN I. Demkoya '04.03.08	DESIGNED I. Demkoya '04.03.08	CHECKED T. Miyazaki '04.03.08	APPROVED T. Ona 04.03.09
DRAWING NO. EDC3-306189-01		PART NO. DF3-*EP-2A		CODE NO. CL543-	
SCALE 5:1		UNITS mm		HRS HIROSE ELECTRIC CO., LTD	

TO