



Chipsmall Limited consists of a professional team with an average of over 10 year of expertise in the distribution of electronic components. Based in Hongkong, we have already established firm and mutual-benefit business relationships with customers from,Europe,America and south Asia,supplying obsolete and hard-to-find components to meet their specific needs.

With the principle of “Quality Parts,Customers Priority,Honest Operation,and Considerate Service”,our business mainly focus on the distribution of electronic components. Line cards we deal with include Microchip,ALPS,ROHM,Xilinx,Pulse,ON,Everlight and Freescale. Main products comprise IC,Modules,Potentiometer,IC Socket,Relay,Connector.Our parts cover such applications as commercial,industrial, and automotives areas.

We are looking forward to setting up business relationship with you and hope to provide you with the best service and solution. Let us make a better world for our industry!



Contact us

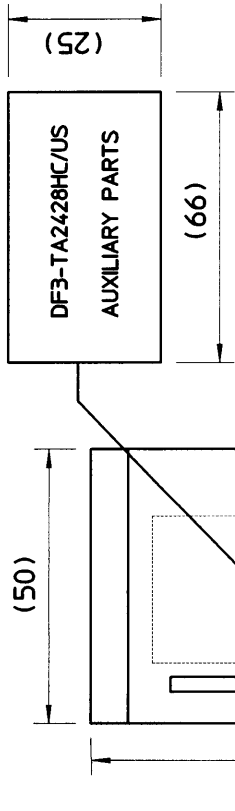
Tel: +86-755-8981 8866 Fax: +86-755-8427 6832

Email & Skype: info@chipsmall.com Web: www.chipsmall.com

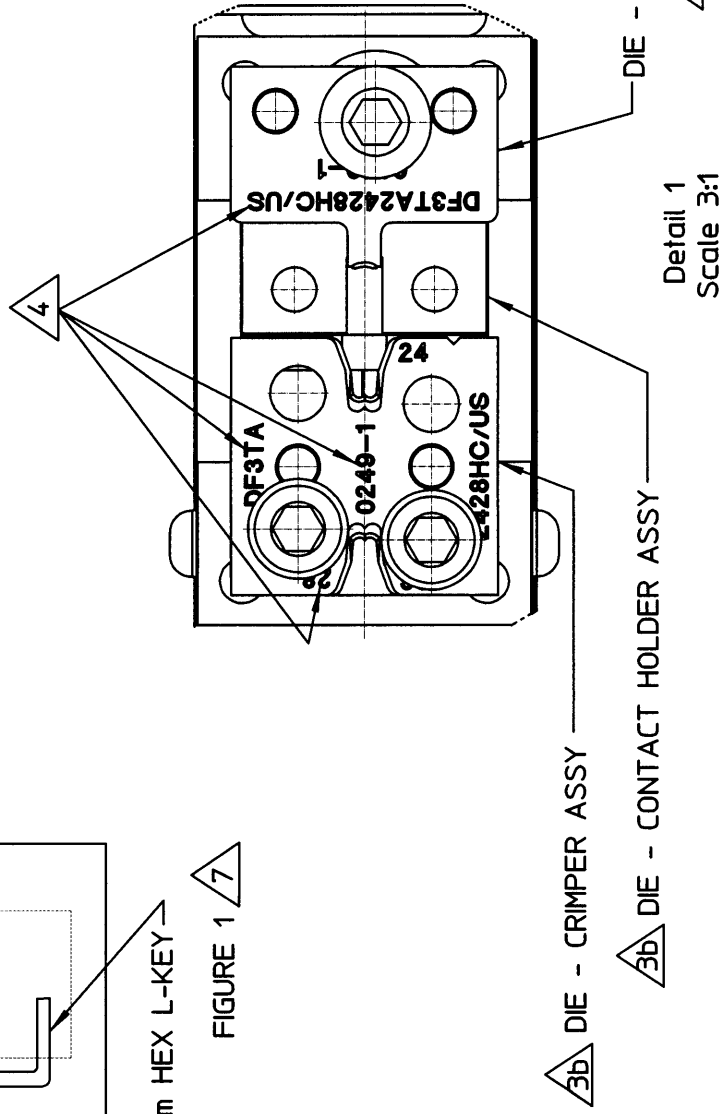
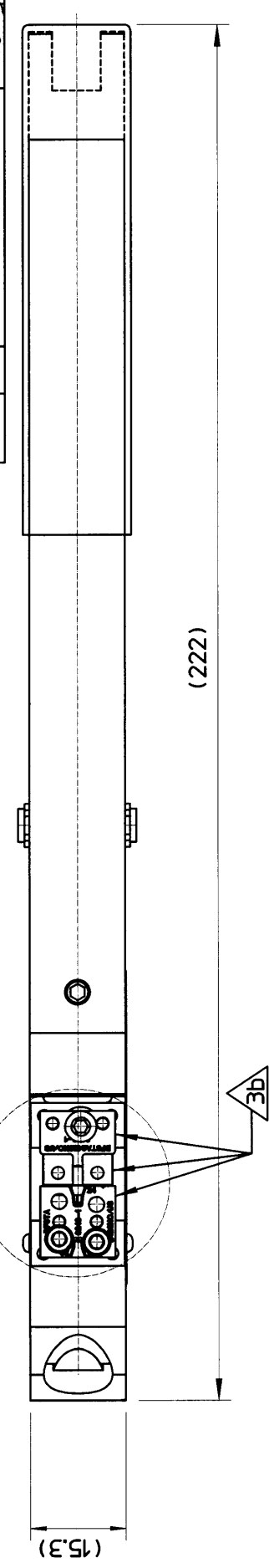
Address: A1208, Overseas Decoration Building, #122 Zhenhua RD., Futian, Shenzhen, China



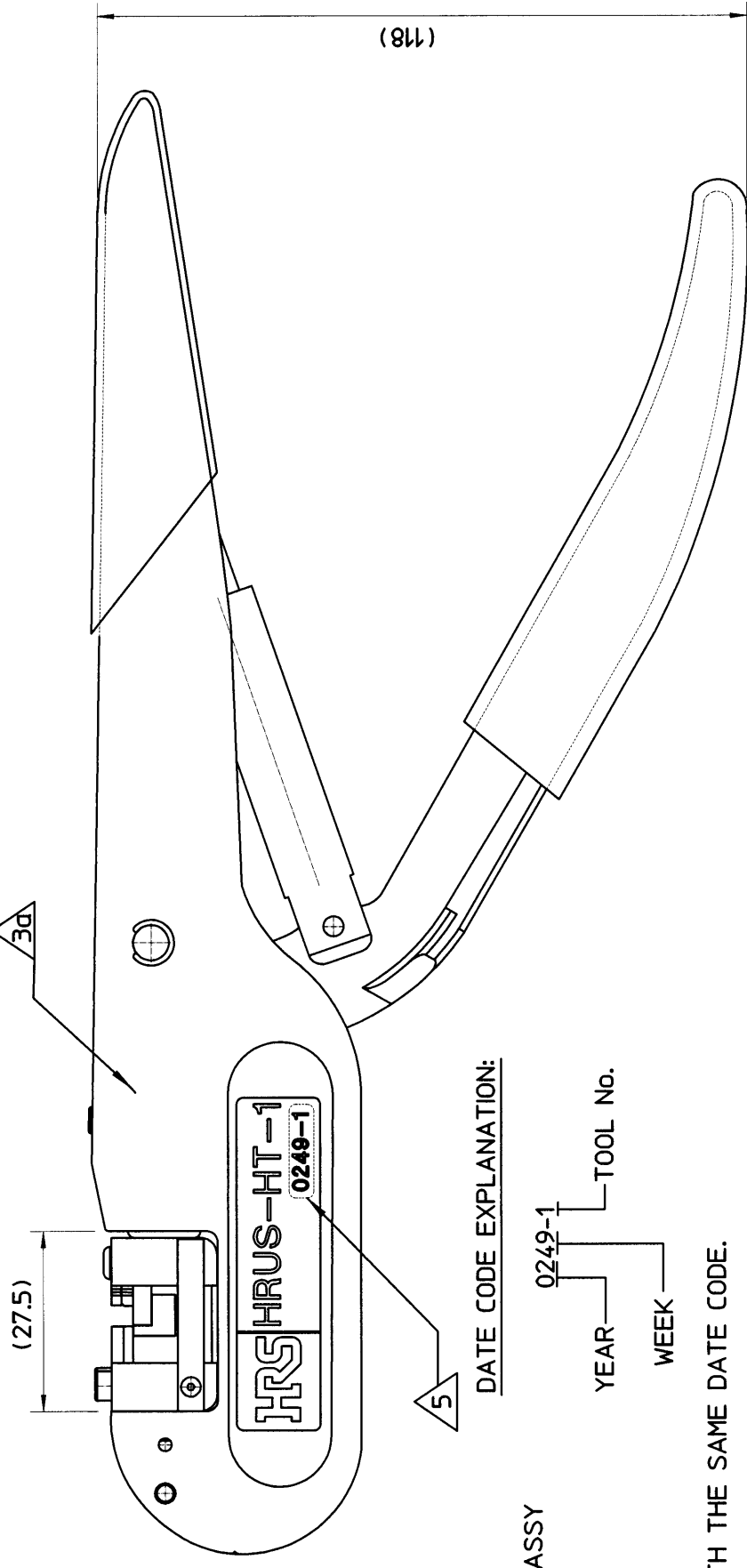
THE INFORMATION CONTAIN HEREIN IS PROPRIETARY TO HIROSE ELECTRIC (USA), INC., ALL RIGHTS THEREIN ARE RESERVED AND SHALL NOT BE USED, DUPLICATED, OR FURTHER DISSEMINATED FOR ANY PURPOSE WITHOUT THE CONSENT OF HIROSE ELECTRIC (USA), INC.



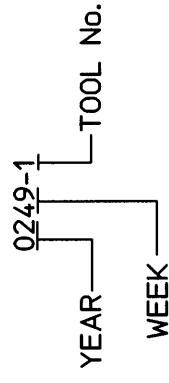
2mm HEX L-KEY
FIGURE 1 7



Detail 1
Scale 3:1



DATE CODE EXPLANATION:



12. PACKAGING: CARDBOARD BOX, SIZE 254mm X 76mm X 51mm (10"X3"X2").
11. ALL THREE (3) DIES ARE SOLD AS MATCHING ASSEMBLY ONLY, AND TO BE MARKED WITH THE SAME DATE CODE.
10. RECOMMENDED NUMBER OF CRIMPING CYCLES- 15,000.
9. THIS TOOL TO BE USED FOR CRIMPING SOCKET TERMINAL, P/No. DF3-2428SC/SCC, ONLY.
8. FOR ASSEMBLY AND OPERATION OF THIS HAND TOOL WITH DIE SET, REFER TO INSTRUCTION MANUALS PS075 AND PS076.
7. TOOL KIT TO BE PACKAGED IN THE ZIP-LOCK PLASTIC BAG, AS SHOWN IN FIG 1. LABEL TO BE APPLIED AS SHOWN,
6. APPLICABLE WIRE TYPE: UL 1007, AWG 24, 26 AND 28.
5. DATE CODE AND TOOL No.; SEE EXAMPLE FOR EXPLANATION.
4. DIE SET PART NO. DF3TA2428HC/US AND MANUFACTURING DATE CODE/SET NO., APPLICABLE WIRE GAGE SIZES - 24, 26, 28 TO BE ENGRAVED AS SHOWN.
3. THIS TOOL CONSISTS OF THE FOLLOWING ASSEMBLIES:
 - a) HAND CRIMP TOOL ASSY
 - b) DIE SET: DIE- CRIMPER ASSY,
DIE- CONTACT HOLDER ASSY,
DIE- ANVIL ASSY.

2. DIMENSIONS IN () ARE FOR REFERENCE ONLY
1. DIMENSIONING AND TOLERANCING PER ANSI/ASME Y14.5M-1994

NOTES (UNLESS OTHERWISE SPECIFIED)

REVISIONS				
ZONE	REV.	DESCRIPTION	DATE	APPROVED
	N/R	NEW RELEASE	2/10/03	KMG
	A	REVISED PER DCN# 0864	3-04-03	A.S.
	B	REVISED PER DCN# 0872	5/19/03	A.S.

CUSTOMER USE DRAWING

FROM NO. 0AG18 THIRD ANGLE PROJECTION 	UNLESS OTHERWISE SPECIFIED DIMENSIONS ARE IN MILLIMETERS TOLERANCES ARE: X = ±0.1 .XX = ±0.05 .XXX = ±0.03 ANGLE = ±1°		APPROVALS DATE 02/06/03 02/06/03 02/07/03 02/10/03	
	PROJECT NO. XXXXXXXX USED ON	DRAWN Luis Lostaunau	CHECKED Alla Shchur	PART NUMBER DF3-TA2428HC/US
APPLICATION XXXXXXXX USED ON	NAME Mac Nagashima	NAME Kris McGuire	SCALE N/A	SHEET 1 OF 1
HRS HIROSE ELECTRIC (U.S.A), INC SIMI VALLEY, CALIFORNIA 93065	SIZE B	DWG NUMBER DF3-TA2428HC/US	REV. B	DATABASE: DF3-TA2428HC-US