



Chipsmall Limited consists of a professional team with an average of over 10 year of expertise in the distribution of electronic components. Based in Hongkong, we have already established firm and mutual-benefit business relationships with customers from,Europe,America and south Asia,supplying obsolete and hard-to-find components to meet their specific needs.

With the principle of “Quality Parts,Customers Priority,Honest Operation,and Considerate Service”,our business mainly focus on the distribution of electronic components. Line cards we deal with include Microchip,ALPS,ROHM,Xilinx,Pulse,ON,Everlight and Freescale. Main products comprise IC,Modules,Potentiometer,IC Socket,Relay,Connector.Our parts cover such applications as commercial,industrial, and automotives areas.

We are looking forward to setting up business relationship with you and hope to provide you with the best service and solution. Let us make a better world for our industry!



Contact us

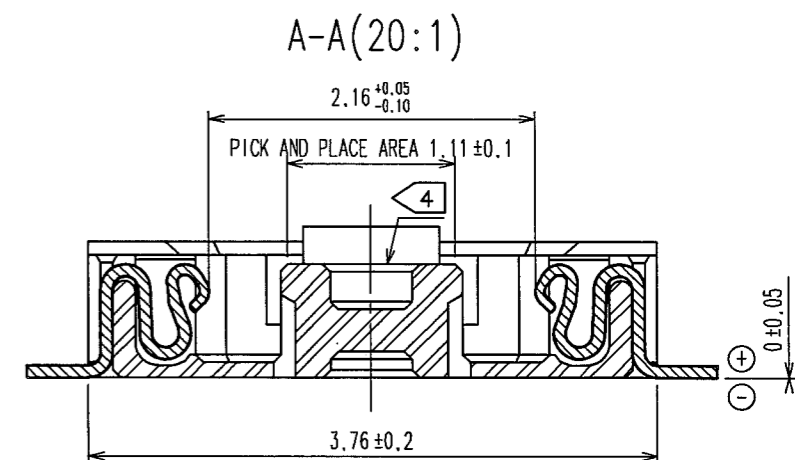
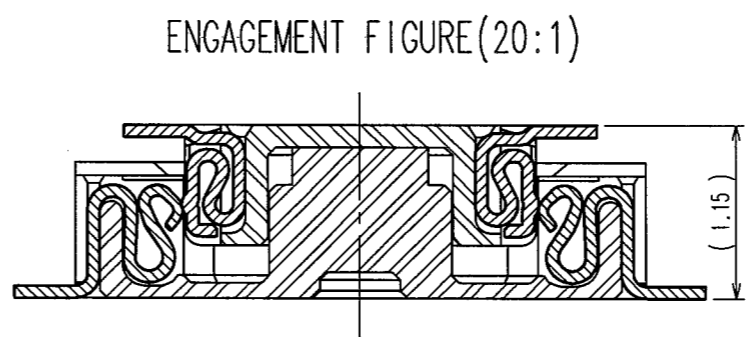
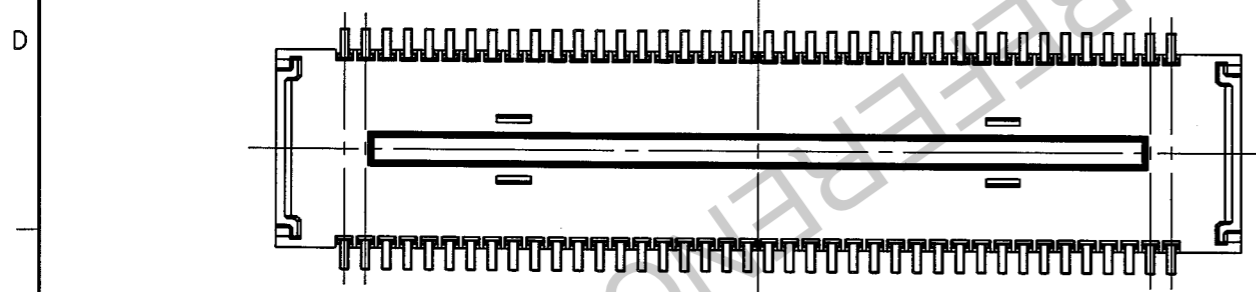
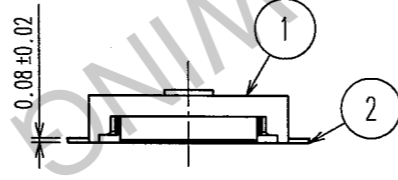
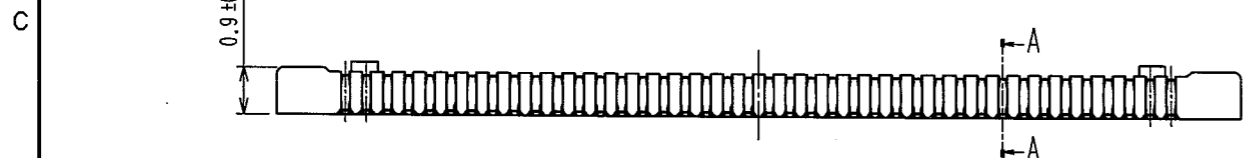
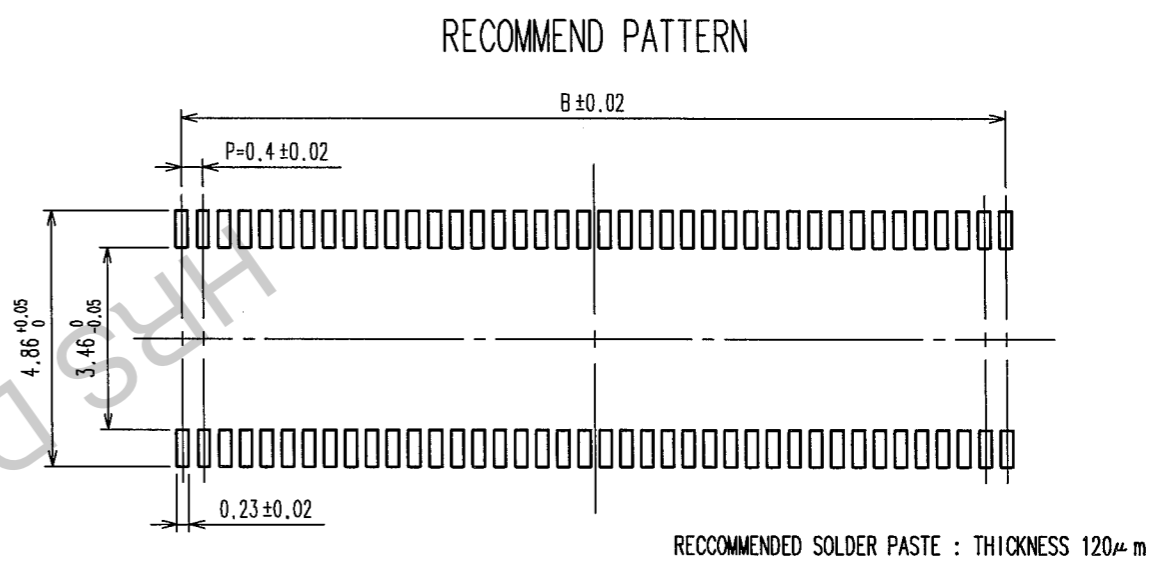
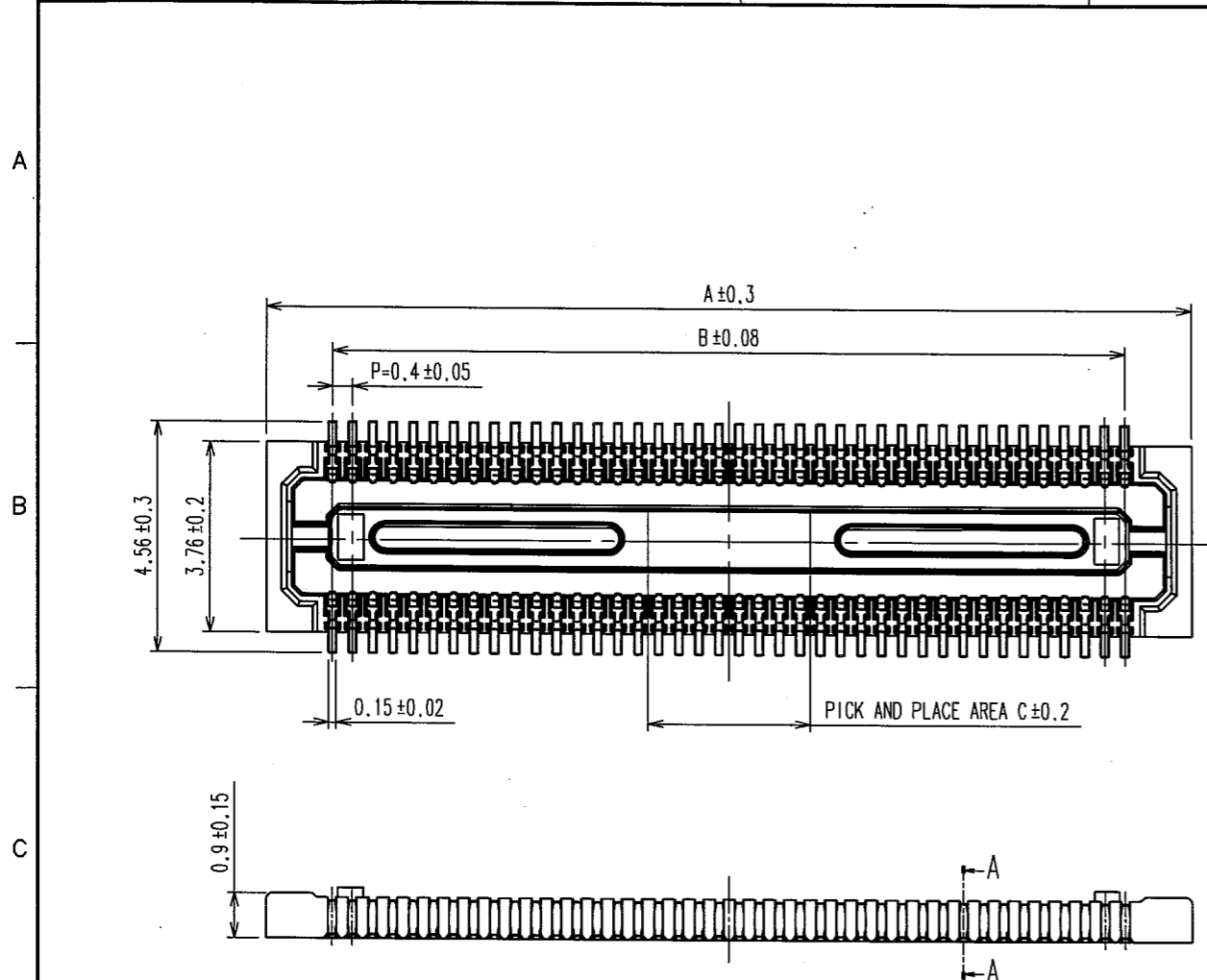
Tel: +86-755-8981 8866 Fax: +86-755-8427 6832

Email & Skype: info@chipsmall.com Web: www.chipsmall.com

Address: A1208, Overseas Decoration Building, #122 Zhenhua RD., Futian, Shenzhen, China



COUNT	DESCRIPTION OF REVISIONS	BY	CHKD	DATE	COUNT	DESCRIPTION OF REVISIONS	BY	CHKD	DATE
△					△				
△					△				
△					△				



NOTE 1. ALL LEADS CO-PLANARITY SHALL BE 0.1 MAX.
 2. PER REEL : 1000 CONNECTORS.
 3. AT THE BEGINNING OF THE REEL, 100 mm AT MIN SHALL BE EMPTY POCKETS.
 AT THE END OF THE REEL, 160 mm AT MIN SHALL BE EMPTY POCKETS.
 4. NO CAVITY ON THE CONNECTORS LESS THAN 24 POS.
 5. CONTACT PLATING SPECIFICATIONS.
 CONTACT AREA : GOLD 0.05μm MIN.
 SMT LEAD : GOLD 0.02μm MIN.
 UNDERPLATING : NICKEL 1μm MIN.
 (SURFACE : SEALING)

PART NO.	CODE NO.	A	B	C
DF30CJ-80DS-0.4V(82)	CL684-1158-3-82	18.22	15.6	3.2
DF30CJ-70DS-0.4V(82)	CL684-1163-3-82	16.22	13.6	2.8
DF30CJ-60DS-0.4V(82)	CL684-1162-0-82	14.22	11.6	2.4
DF30CJ-50DS-0.4V(82)	CL684-1161-8-82	12.22	9.6	2
DF30CJ-40DS-0.4V(82)	CL684-1084-9-82	10.22	7.6	1.6
DF30CJ-34DS-0.4V(82)	CL684-1164-6-82	9.02	6.4	1.36
DF30CJ-30DS-0.4V(82)	CL684-1160-5-82	8.22	5.6	1.2
DF30CJ-24DS-0.4V(82)	CL684-1086-4-82	7.02	4.4	1.2
DF30CJ-22DS-0.4V(82)	CL684-1159-6-82	6.62	4.0	1.2
DF30CJ-20DS-0.4V(82)	CL684-1085-1-82	6.22	3.6	1.2

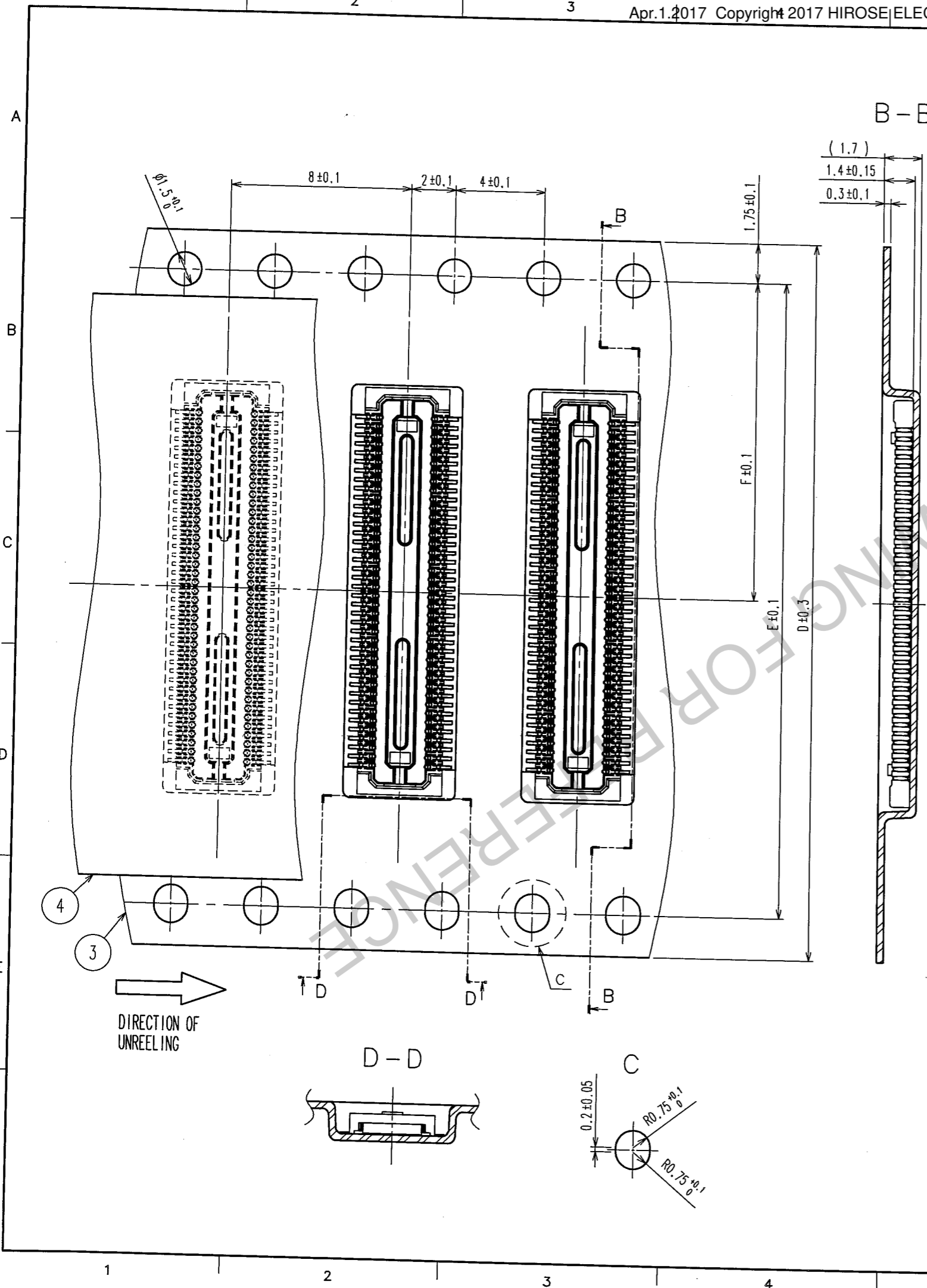
NO.	MATERIAL	FINISH, REMARKS	NO.	MATERIAL	FINISH, REMARKS
2	PHOSPHOR BRONZE	5	5	PS	BLACK (PLASTIC REEL)
1	LCP	UL94V-0, BLACK	4	POLYESTER	CLEAR (COVER TAPE)
			3	PS	CLEAR (EMBOSSED CARRIER TAPE)

CODE NO. (OLD)	DRAWN	DESIGNED	CHECKED	APPROVED	RELEASED
	F.Matsuki	A.Fababashi	T.Miyagaki	J.Oma	
	'05.03.08	'05.03.09	'05.03.09	'05.03.09	

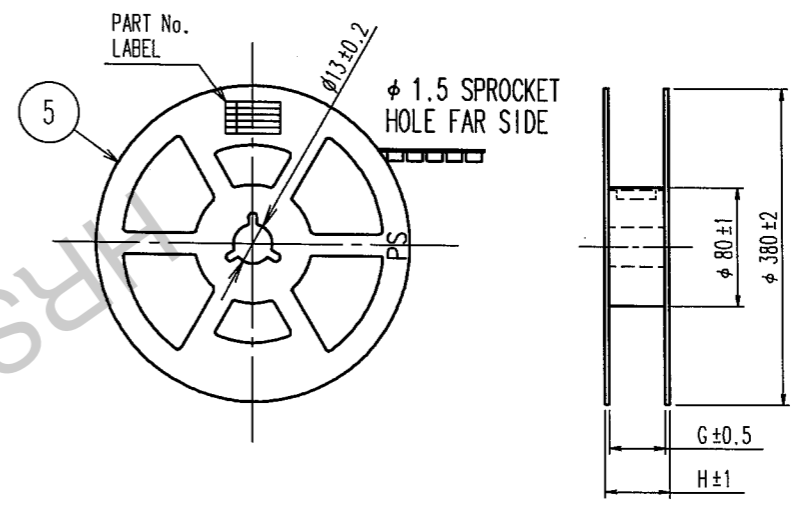
SCALE	DRAWING NO.	PART NO.
FREE	EDC3-304208-01	DF30CJ-*DS-0.4V(82)
UNITS	HIROSE ELECTRIC CO., LTD	CODE NO.
mm		CL684-****-**-82

TO

COUNT	DESCRIPTION OF REVISIONS	BY	CHKD	DATE	COUNT	DESCRIPTION OF REVISIONS	BY	CHKD	DATE



STYLE AND DIMENSION OF REEL (FREE SIZE)



DETAIL OF PART NO. LABEL

SUPPLIER QUANTITY
PART NO.
CODE NO.
DATE OF MANUFACTURED

生産月日	年 月 日
図番	CL 684-*****-82
品名	DF30CJ-*DS-0.4V(82)
納入数量	1000個
納入者	ヒロセ電機(株)

PART NO.	CODE NO.	D	E	F	G	H
DF30CJ-80DS-0.4V(82)	CL684-1158-3-82	32	28.4	14.2	33.5	37.5
DF30CJ-70DS-0.4V(82)	CL684-1163-3-82	24	-	11.5	25.5	29.5
DF30CJ-60DS-0.4V(82)	CL684-1162-0-82	24	-	11.5	25.5	29.5
DF30CJ-50DS-0.4V(82)	CL684-1161-8-82	24	-	11.5	25.5	29.5
DF30CJ-40DS-0.4V(82)	CL684-1084-6-82	24	-	11.5	25.5	29.5
DF30CJ-34DS-0.4V(82)	CL684-1164-6-82	16	-	7.5	17.5	21.5
DF30CJ-30DS-0.4V(82)	CL684-1160-5-82	16	-	7.5	17.5	21.5
DF30CJ-24DS-0.4V(82)	CL684-1086-4-82	16	-	7.5	17.5	21.5
DF30CJ-22DS-0.4V(82)	CL684-1159-6-82	16	-	7.5	17.5	21.5
DF30CJ-20DS-0.4V(82)	CL684-1085-1-82	16	-	7.5	17.5	21.5

CODE NO. (OLD)	DRAWN F. Matsuki '05.03.08	DESIGNED A. Takahashi '05.03.08	CHECKED T. Miyajaki '05.03.09	APPROVED J. Oma '05.03.09	RELEASED
DRAWING NO. EDC3-304208-01	PART NO. DF30CJ-*DS-0.4V(82)		CODE NO. CL684-*****-82		
SCALE 5 : 1	UNITS mm		HIROSE ELECTRIC CO., LTD		