



Chipsmall Limited consists of a professional team with an average of over 10 year of expertise in the distribution of electronic components. Based in Hongkong, we have already established firm and mutual-benefit business relationships with customers from,Europe,America and south Asia,supplying obsolete and hard-to-find components to meet their specific needs.

With the principle of "Quality Parts,Customers Priority,Honest Operation,and Considerate Service",our business mainly focus on the distribution of electronic components. Line cards we deal with include Microchip,ALPS,ROHM,Xilinx,Pulse,ON,Everlight and Freescale. Main products comprise IC,Modules,Potentiometer,IC Socket,Relay,Connector.Our parts cover such applications as commercial,industrial, and automotives areas.

We are looking forward to setting up business relationship with you and hope to provide you with the best service and solution. Let us make a better world for our industry!



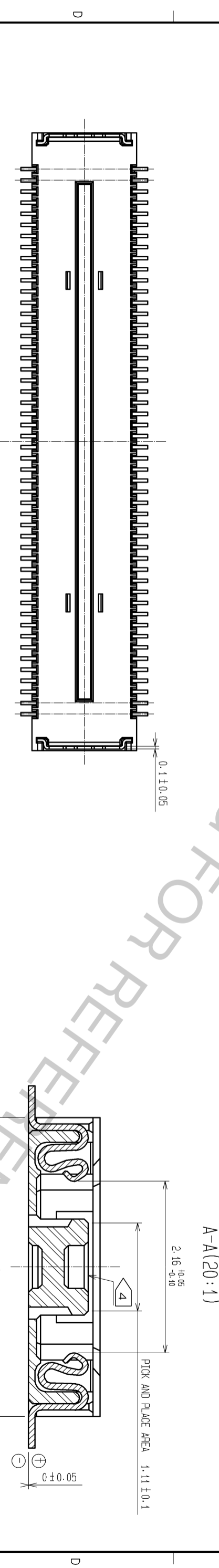
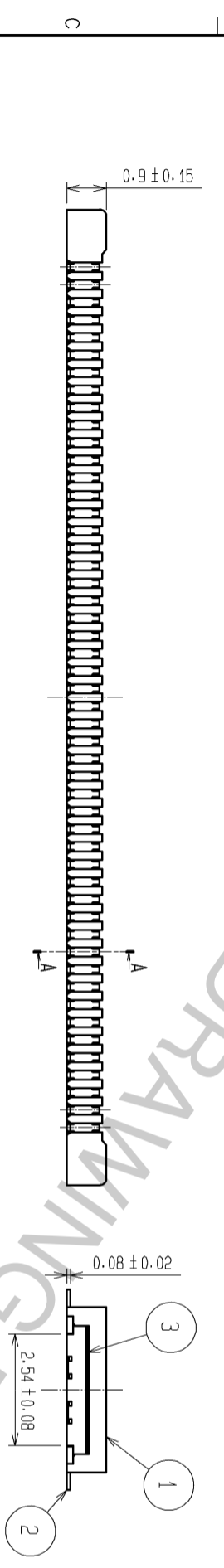
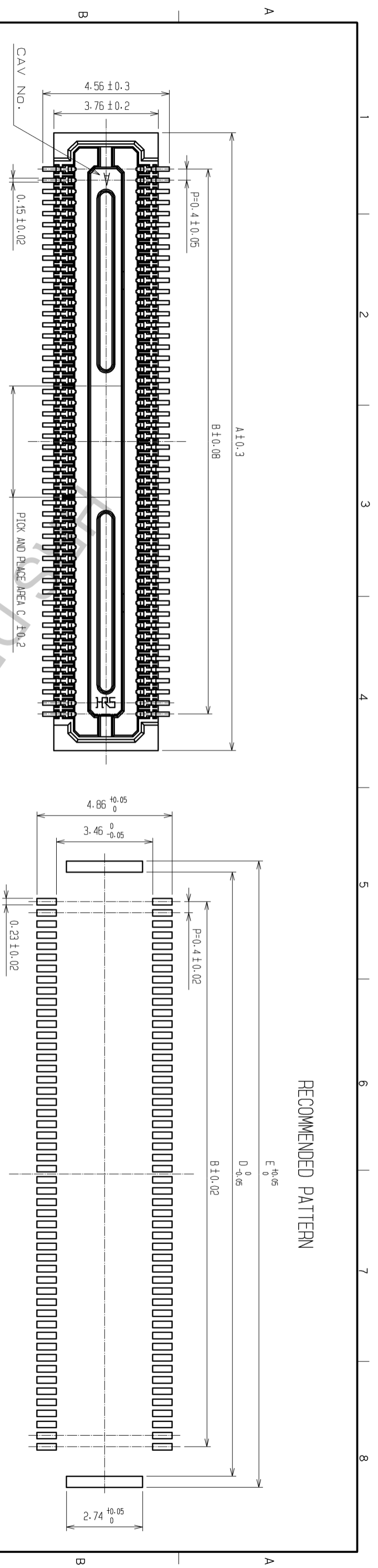
Contact us

Tel: +86-755-8981 8866 Fax: +86-755-8427 6832

Email & Skype: info@chipsmall.com Web: www.chipsmall.com

Address: A1208, Overseas Decoration Building, #122 Zhenhua RD., Futian, Shenzhen, China





- NOTE 1. ALL LEADS CO-PLANARITY SHALL BE 0.1 MAX.
 2. PER REEL : 1000 CONNECTORS.
 3. AT THE BEGINNING OF THE REEL, 100 mm AT MIN SHALL BE EMPTY POCKETS.
 4. AT THE END OF THE REEL, 160 mm AT MIN SHALL BE EMPTY.
 5. NO CAVITY ON THE CONNECTORS LESS THAN 24 POS.
 6. CONTACT PLATING SPECIFICATIONS.
 CONTACT AREA : GOLD 0.05µm MIN.
 SMT LEAD : GOLD 0.02µm MIN.
 UNDERPLATING : NICKEL 1µm MIN.
 (SURFACE : SEALING)
 7. METAL HOLD DOWN PLATING SPECIFICATIONS.
 MOUNTING AREA : TIN 1µm MIN.
 UNDERPLATING : NICKEL 1µm MIN.
 7. PEEL FORCE REFERS TO JIS C 0806.

PART NO.	A	B	C	D	E
DF30FB- 80DS-0.4V(82)	18.22	15.6	3.2	17.72	18.52
DF30FB- 70DS-0.4V(82)	16.22	13.6	2.8	15.72	16.52
DF30FB- 60DS-0.4V(82)	14.22	11.6	2.4	13.72	14.52
DF30FB- 50DS-0.4V(82)	12.22	9.6	2	11.72	12.52
DF30FB- 40DS-0.4V(82)	10.22	7.6	1.6	9.72	10.52
DF30FB- 34DS-0.4V(82)	9.02	6.4	1.36	8.52	9.32
DF30FB- 30DS-0.4V(82)	8.22	5.6	1.2	7.72	8.52
DF30FB- 24DS-0.4V(82)	7.02	4.4	1.2	6.52	7.32
DF30FB- 22DS-0.4V(82)	6.62	4.0	1.2	6.12	6.92
DF30FB- 20DS-0.4V(82)	6.22	3.6	1.2	5.72	6.52

NO.	MATERIAL	FINISH . REMARKS	NO.	MATERIAL	FINISH . REMARKS
3	PHOSPHOR BRONZE	6	PS	PLASTIC REEL (BLACK)	
2	PHOSPHOR BRONZE	5	PS	POLYESTER	CLEAR(COVER TAPE)
1	LCP	4	PS	CLEAR(EMBOSSED CARRIER TAPE)	

UNITS: mm

SCALE: FREE

COUNT: 2

DESCRIPTION OF REVISIONS: DIS-H-005343

DESIGNED: AR. TAKAHASHI

CHECKED: TS. MIYAZAKI

APPROVED: MO. NAKAMURA

DATE: 05.09.29

DRAWING NO.: EDC3-303547-04

PART NO.: DF30FB-*DS-0.4V(82)

DESIGNED: AR. TAKAHASHI

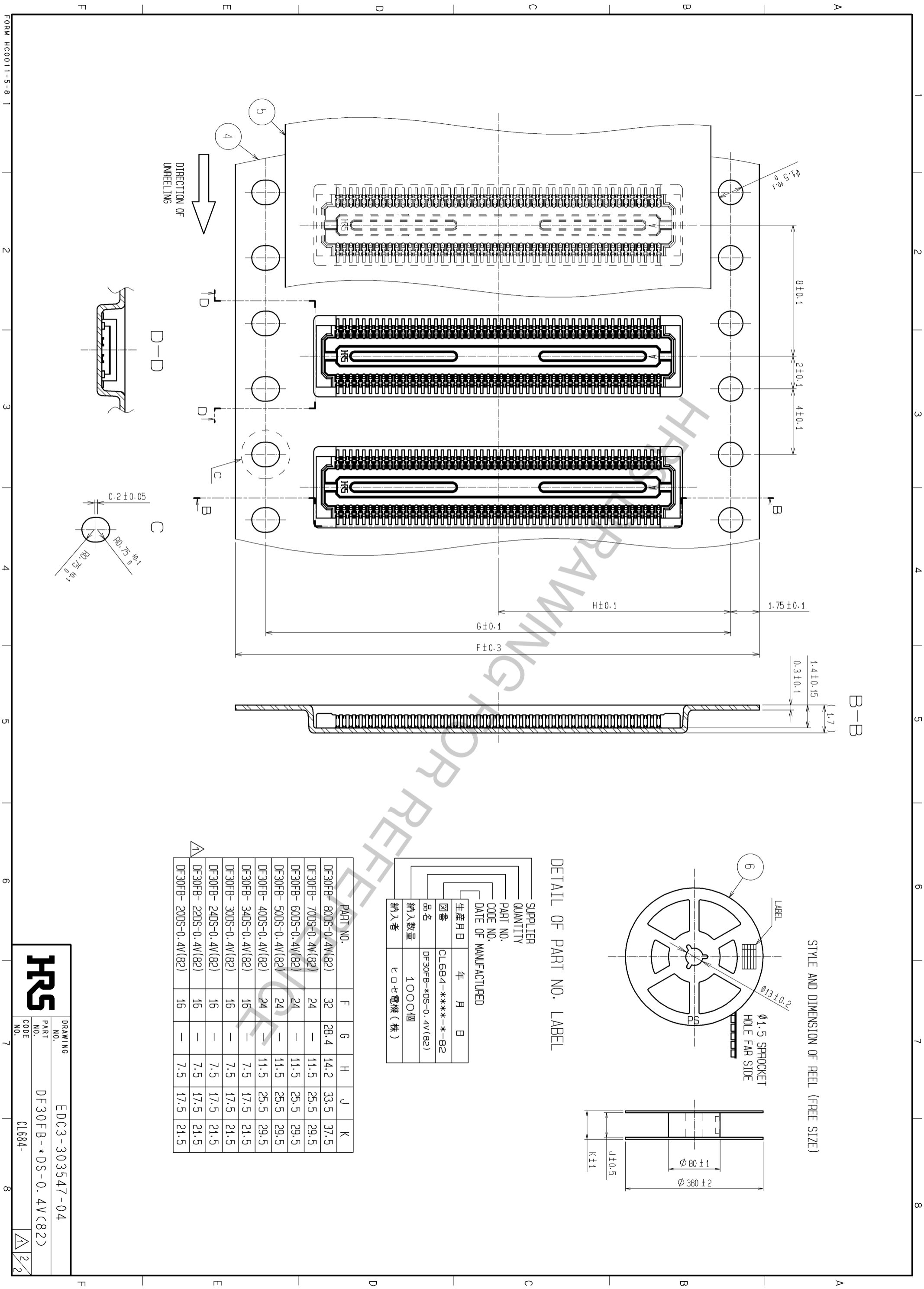
CHECKED: AR. TAKAHASHI

DATE: 10.11.30

DRAWN: AR. TAKAHASHI

CODE: C1884-

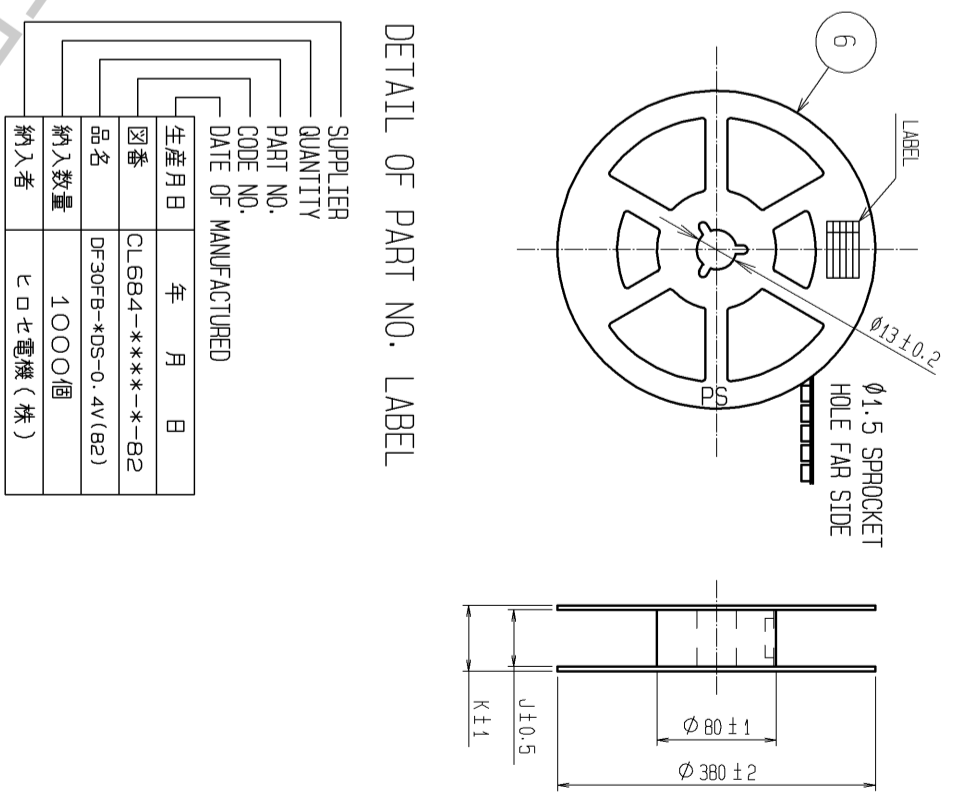
1/2



B-B

STYLE AND DIMENSION OF REEL (FREE SIZE)

DETAIL OF PART NO. LABEL



PART NO.	F	G	H	J	K
DF30FB-80DS-0.4V(82)	32	28.4	14.2	33.5	37.5
DF30FB-70DS-0.4V(82)	24	—	11.5	25.5	29.5
DF30FB-60DS-0.4V(82)	24	—	11.5	25.5	29.5
DF30FB-50DS-0.4V(82)	24	—	11.5	25.5	29.5
DF30FB-40DS-0.4V(82)	24	—	11.5	25.5	29.5
DF30FB-34DS-0.4V(82)	16	—	7.5	17.5	21.5
DF30FB-30DS-0.4V(82)	16	—	7.5	17.5	21.5
DF30FB-24DS-0.4V(82)	16	—	7.5	17.5	21.5
DF30FB-22DS-0.4V(82)	16	—	7.5	17.5	21.5
DF30FB-20DS-0.4V(82)	16	—	7.5	17.5	21.5