



Chipsmall Limited consists of a professional team with an average of over 10 year of expertise in the distribution of electronic components. Based in Hongkong, we have already established firm and mutual-benefit business relationships with customers from,Europe,America and south Asia,supplying obsolete and hard-to-find components to meet their specific needs.

With the principle of “Quality Parts,Customers Priority,Honest Operation,and Considerate Service”,our business mainly focus on the distribution of electronic components. Line cards we deal with include Microchip,ALPS,ROHM,Xilinx,Pulse,ON,Everlight and Freescale. Main products comprise IC,Modules,Potentiometer,IC Socket,Relay,Connector.Our parts cover such applications as commercial,industrial, and automotives areas.

We are looking forward to setting up business relationship with you and hope to provide you with the best service and solution. Let us make a better world for our industry!



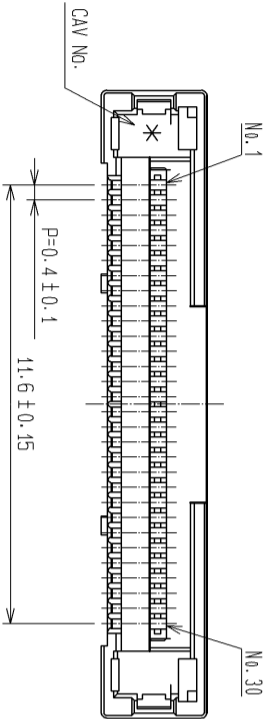
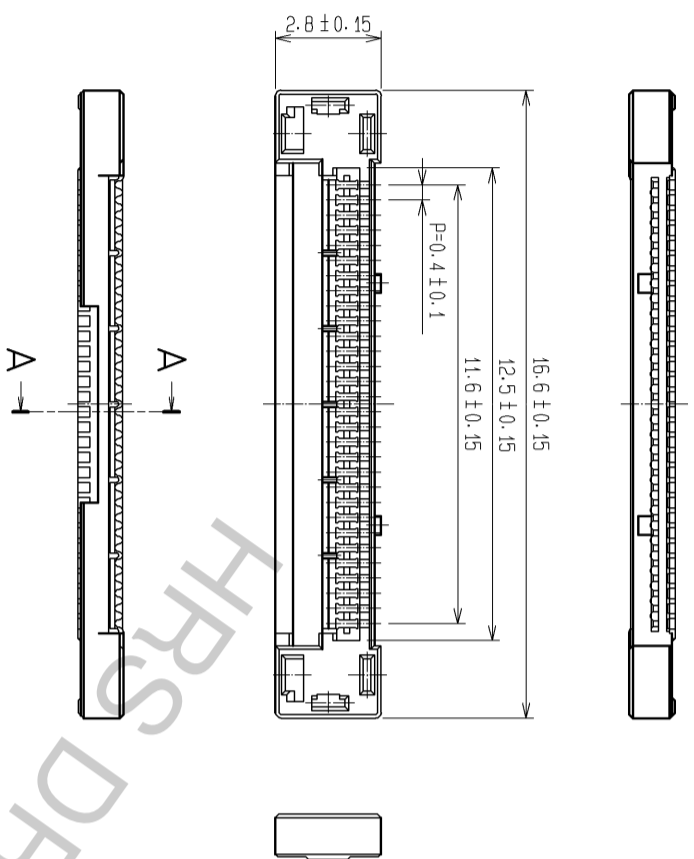
Contact us

Tel: +86-755-8981 8866 Fax: +86-755-8427 6832

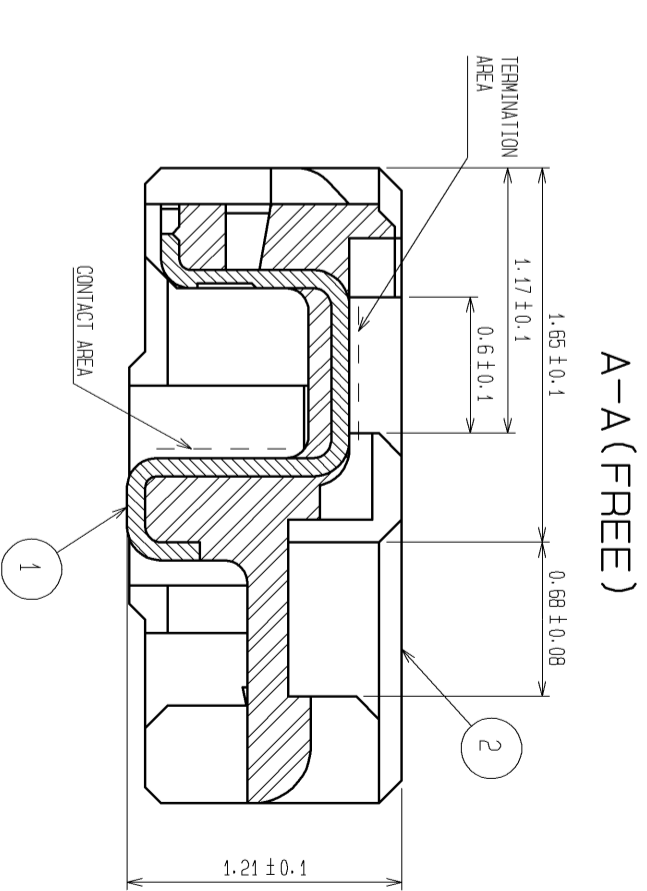
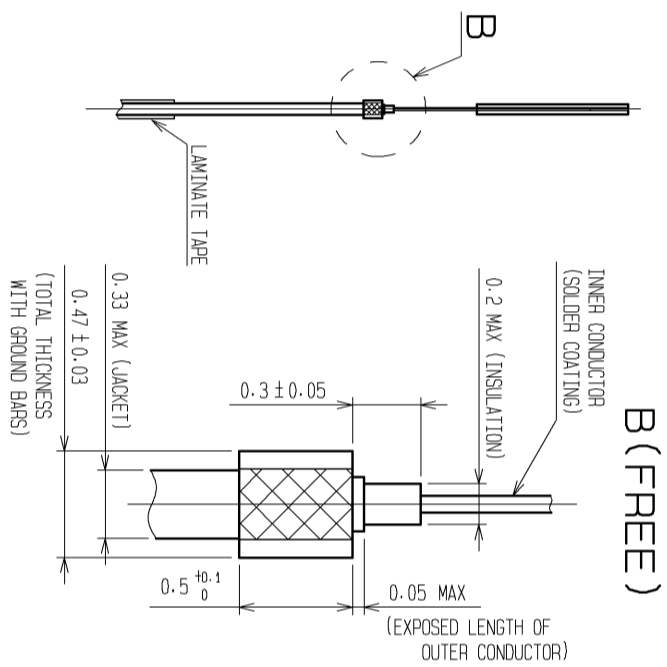
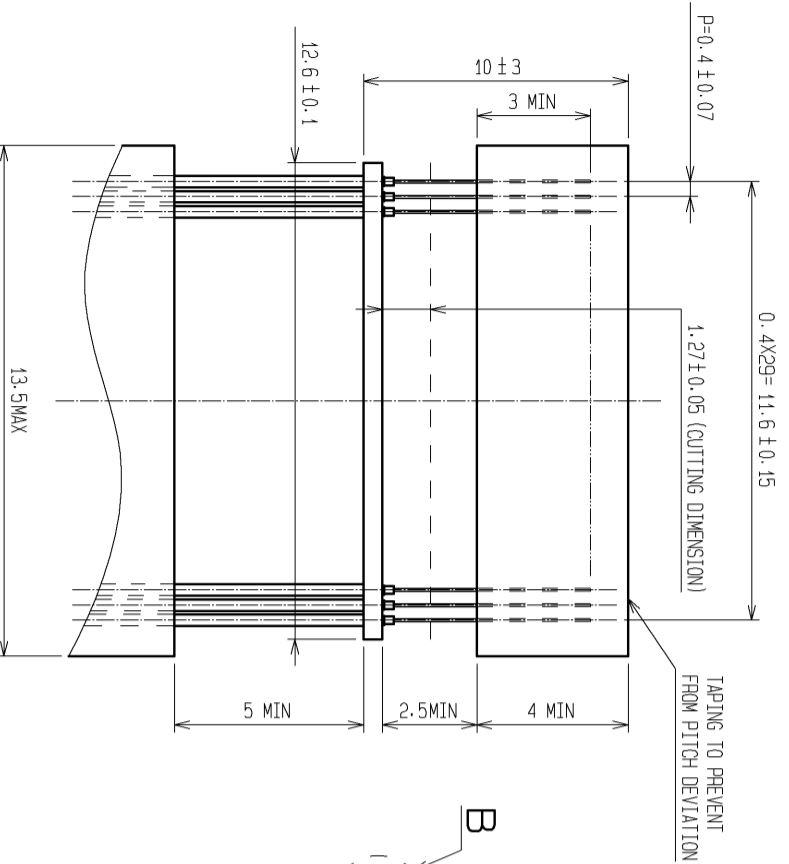
Email & Skype: info@chipsmall.com Web: www.chipsmall.com

Address: A1208, Overseas Decoration Building, #122 Zhenhua RD., Futian, Shenzhen, China

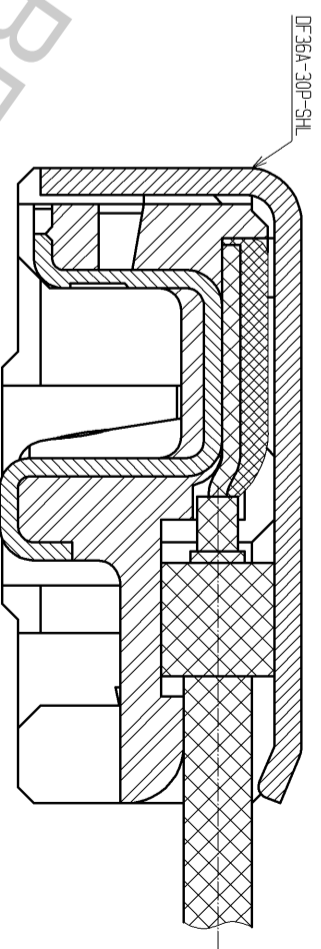




RECOMMENDED CABLE SUBASSEMBLY



CABLE TERMINATION FIGURE(FREE)



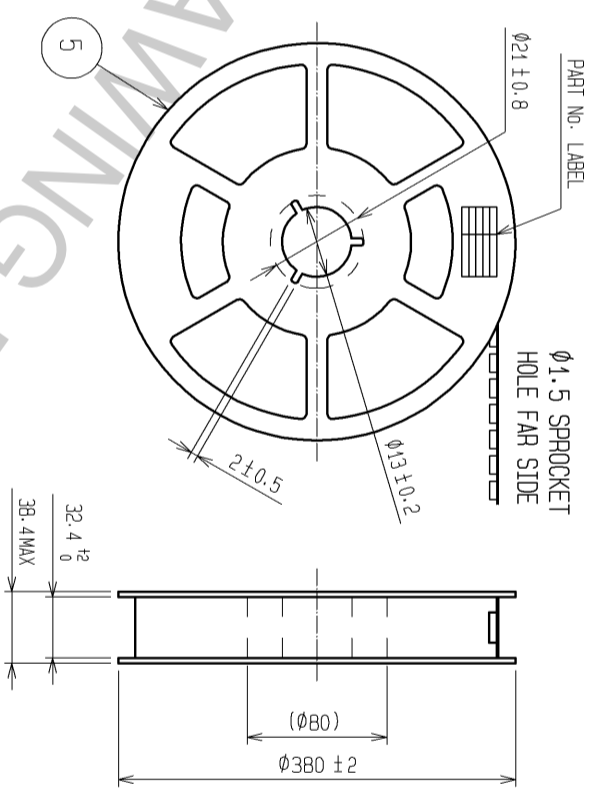
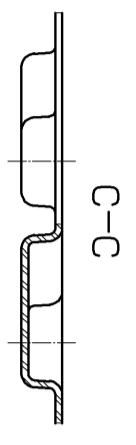
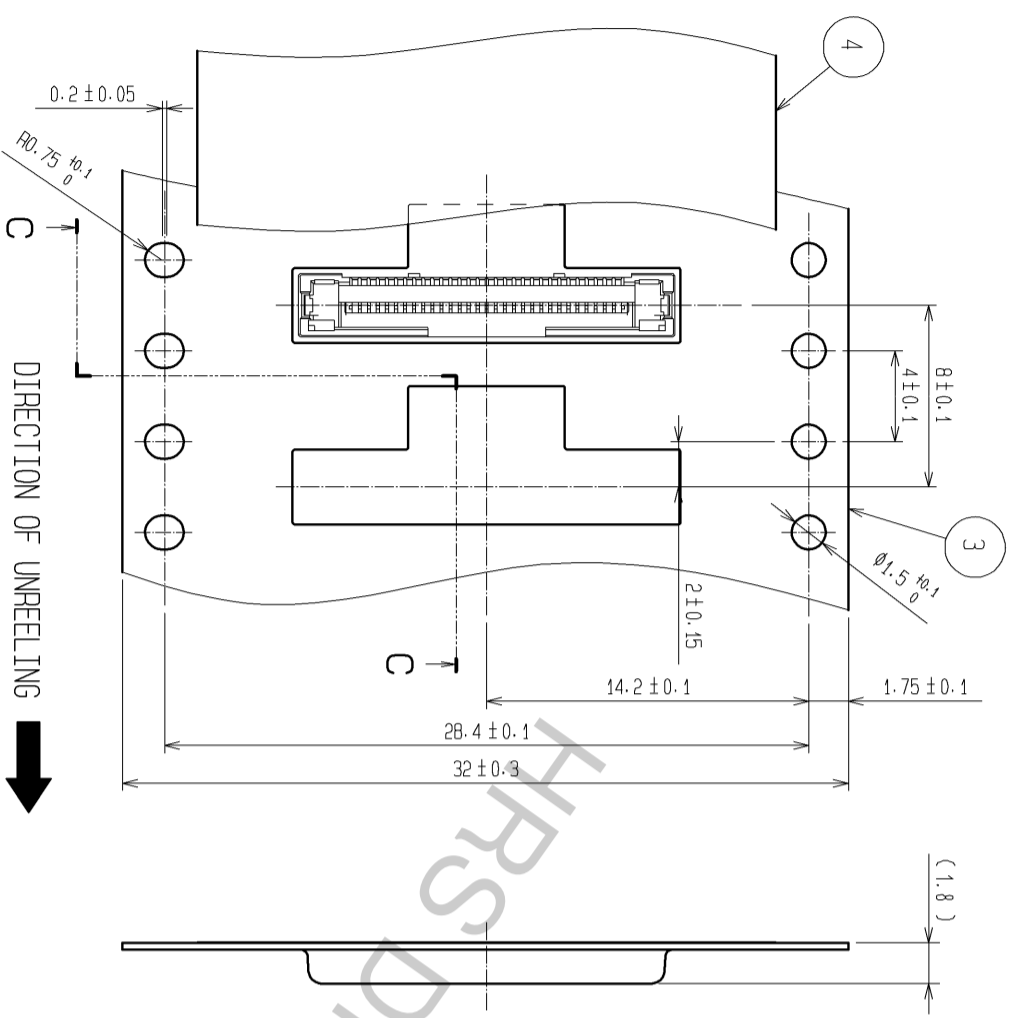
- NOTES 1. APPLICABLE CABLE: THIN COAXIAL CABLE (AWG#42-AWG#46)
 2. THIS CONNECTOR IS NOT HOT PLUGGABLE. MATE AND UNMATE WHILE THE POWER IS OFF.
 3. THE ASSEMBLY IS COMPLETED BY COMBINING TWO PARTS 'CONNECTOR UNIT AND METAL SHIELDING'. REFER TO THE TABLE FOR EACH ITEM NO., PART NAME, PART NO. AND CODE NO.

ITEM NO.	PART NAME	PART NO.	CODE NO.
1.2	CONNECTOR UNIT	DF36-30P-0.4SD(51)	CL662-4018-3-51
-	METAL SHIELDING	DF36A-30P-SHL	CL662-4019-6-00

NO.	UNITS	MATERIAL	FINISH	REMARKS	NO.	MATERIAL	FINISH	REMARKS
1	PHOSPHOR BRONZE	CONTACT AREA : Au PLATING 0.1µm min TERMINATION AREA : Au PLATING 0.1µm min UNDER PLATING : Ni PLATING 1µm min			5	PS	BLACK	
					4	POLYESTER	CLEAR	
					3	PS	CLEAR	
					2	LCP	UL94V-0 . BLACK	

SCALE	COUNT	DESCRIPTION OF REVISIONS	DESIGNED	CHECKED	DATE
S : 1					

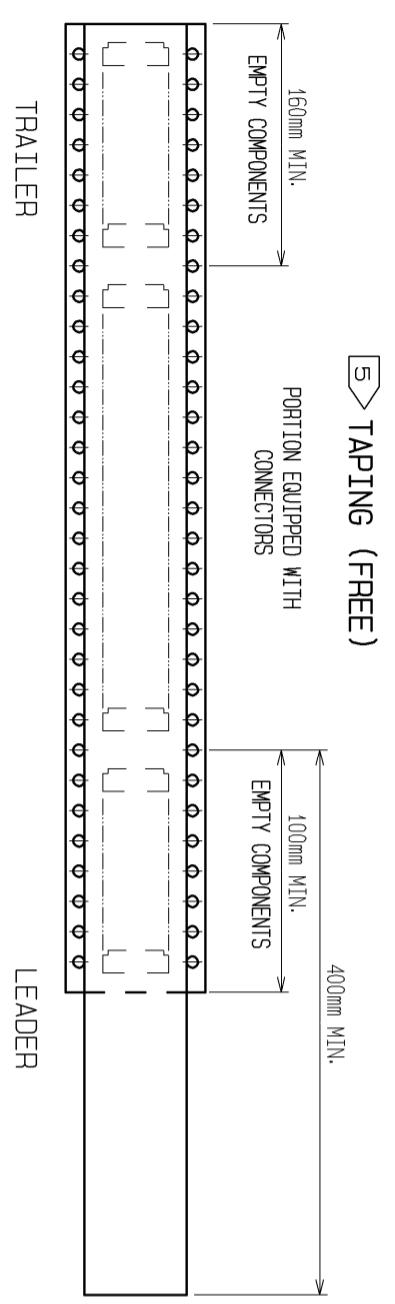
APPROVED	DESIGNED	CHECKED	DATE
Approved : TS. SAKATA	DESIGNED : TP. MATSUMOTO	CHECKED : IO. DENPOUYA	11.10.17



STYLE AND DIMENSION OF REEL (FREE)

DETAIL OF PART NO. LABEL

生産日	年 月 日
製品コード	CL662-4018-3-51
製品名	DF36-30P-0.4SD(51)
納入数量	5,000pcs
納入者	ヒロセ電機(株)
SUPPLIER	
QUANTITY	
PART NO.	
CODE No.	
DATE OF MANUFACTURED	



5 TAPING (FREE)

PORTION EQUIPPED WITH CONNECTORS

EMPTY COMPONENTS

TRAILER

LEADER

- NOTES 4. PER REEL : 5000 COMPONENTS.
 5 REFER TO JIS C 0806. (PACKAGING OF COMPONENTS FOR AUTOMATIC HANDLING)
 6. THE DIMENSIONS IN PARENTHESES ARE FOR REFERENCE.

FORM HC0011-5-8

HR5	
DRAWING NO.	EDC3-315347-01
PART NO.	DF36-30P-0.4SD(51)
CODE NO.	CL662-4018-3-51
	2/2